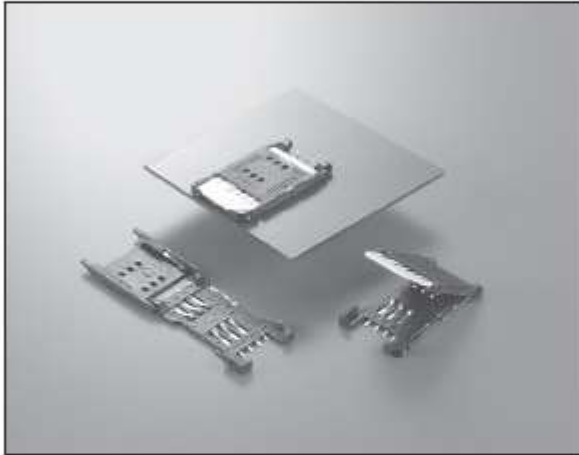


SF7 SERIES CONNECTORS

2.54mm (.100") Contact Spacing, Connector for GSM 11.11 Standard Plug in SIM Card



The SF7 connector is a hinge-type connector supporting the GSM 11.11 standard for small IC chip Cards.

GENERAL SPECIFICATIONS

Number of Contacts	6 without card detect switch 8 with card detect switch
Contact Spacing	2.54mm (0.100")
Current Rating	10 μ Amp - 1 Amp per contact
Dielectric Withstanding Voltage	500 VAC r.m.s. (for one minute)
Insulation Resistance	1000 megohms min.
Contact Resistance	Signal contact 50 milliohms max. Switch contact 200 milliohms max.
Operating Temperature	-40°C to +90°C

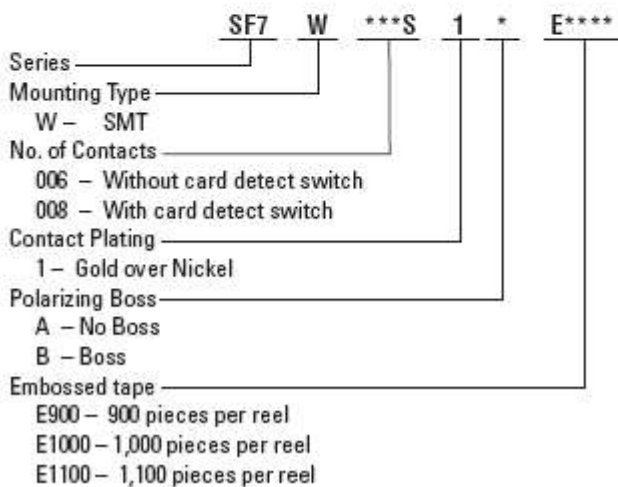
FEATURES

- Supports GSM 11.11 standard
- Molded component has a card mis-insertion prevention mechanism
- Easy operation hinge slide locking mechanism
- Available in embossed tape and reel for automatic mounting

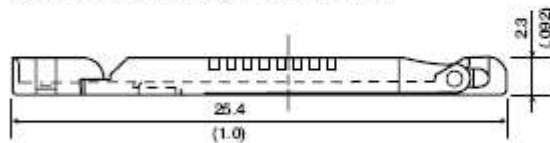
MATERIALS AND FINISHES

Description	Materials/Finishes
Insulator	Glass filled LCP (UL94V-0, Black)
Cover	Glass filled LCP (UL94V-0, Black)
Contact	Signal/Switch: Copper Connecting Area: Gold over Nickel SMT Area: Gold flash over Nickel
Actuator / switch	Stainless Steel

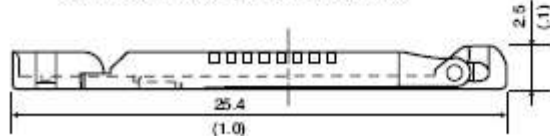
ORDERING INFORMATION



Connector Profile (Ref.) Without Switch



Connector Profile (Ref.) With Switch



Dimensions in mm (inches).



Looking for pricing, stock, or lifecycle information?

Click below to explore more details on WIN SOURCE:

 [View SF7W006S4ER1500](#) on WIN SOURCE

 [JAE Electronics](#) Information

Optimize Your Supply Chain with WIN SOURCE Solutions

-  Global Sourcing Solution
-  Obsolete Management
-  Cost Control Management
-  Shortage Management
-  Alternative Solution
-  Excess Inventory Management