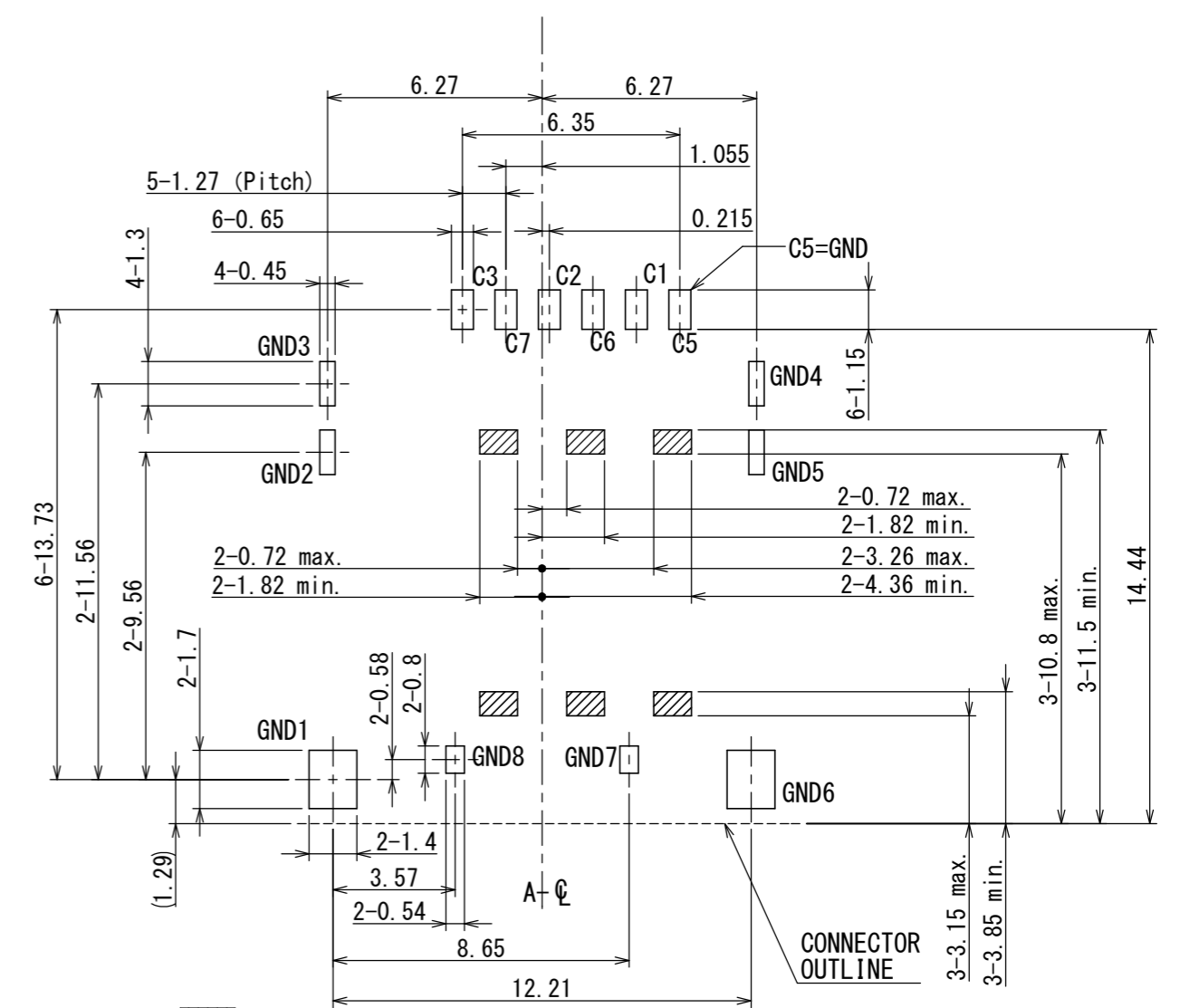
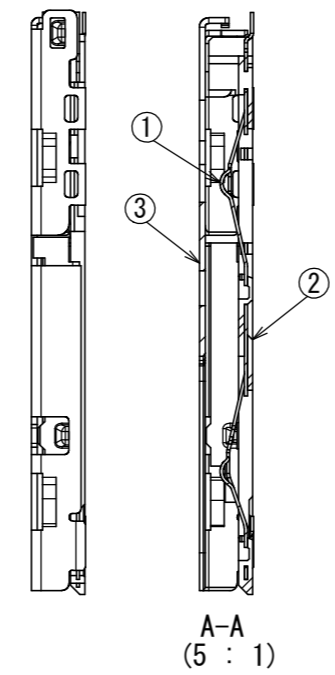
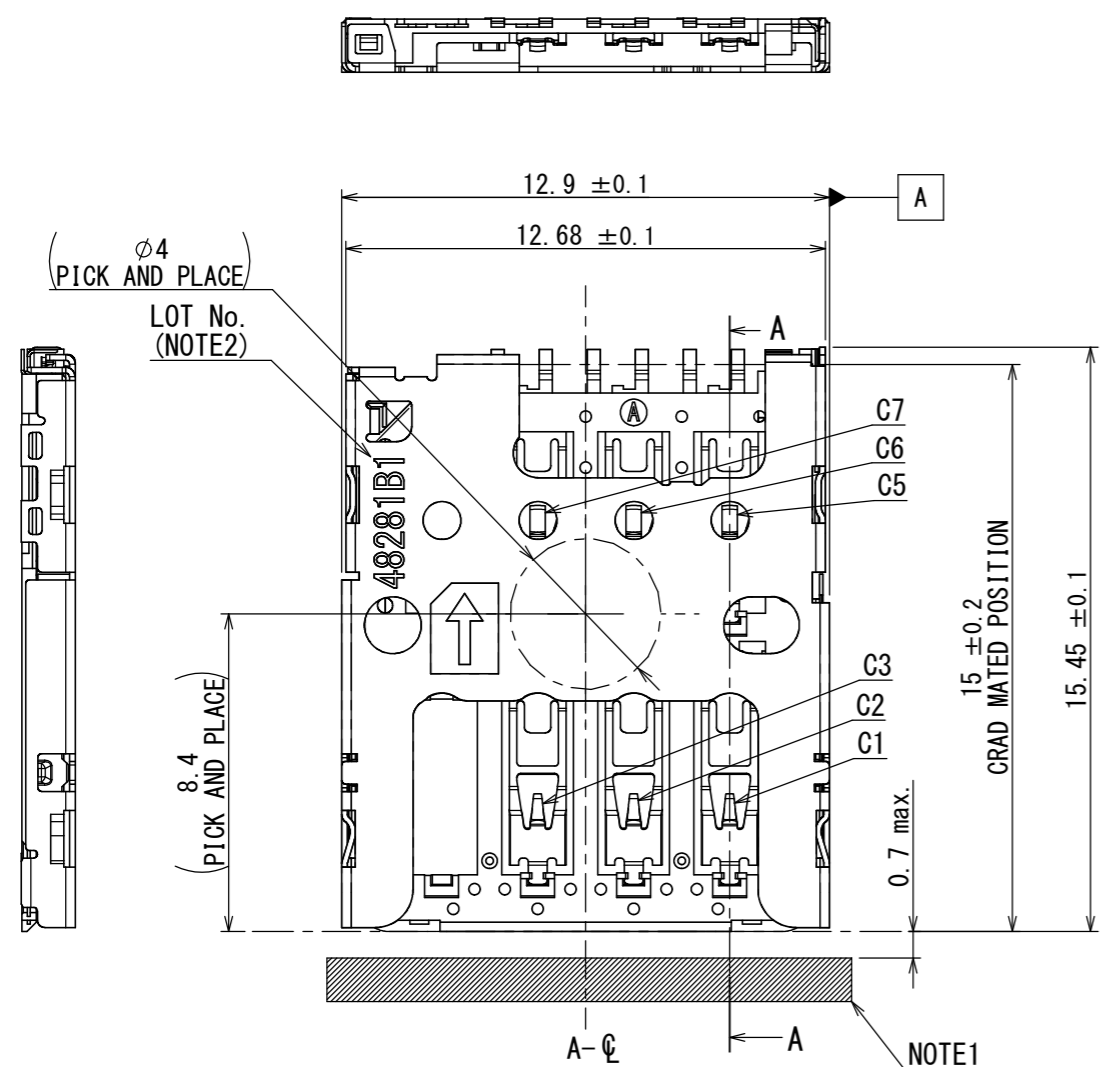
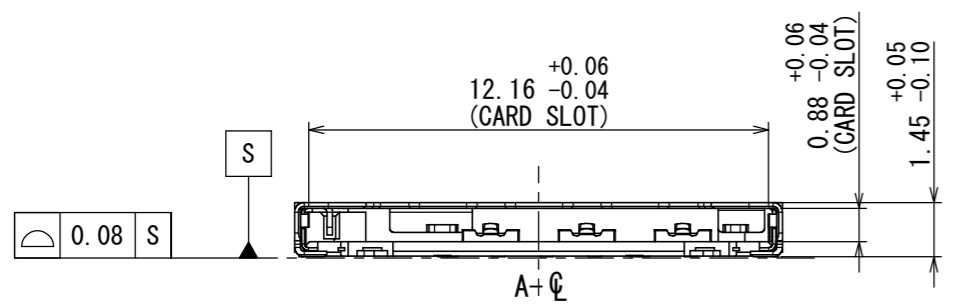


版数 VER.	年月日 DATE	CN NO.	変更内容 DESCRIPTION	製図 DR.	担当 CHK.	査閲 APPD.	承認 APPD.
2	29/JAN/2015	011160	Version No. added		K. MIKAWA	M. SHIMADA	A. NATORI



RESTRICTED AREA (No pattern and Via hole)
 All patterns and Via holes under the connector should be coated by resist.

Recommended P.C.B Layout



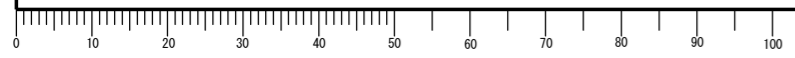
符号 NO.	名称 DESCRIPTION	個数 QTY.	材料 MATERIAL	仕上 FINISH	備考 REMARKS
3	COVER	1	STAINLESS	TERMINAL AREA : Au OVER Ni	-
2	INSULATOR	1	GLASS FILLED LCP	-	-
1	CONTACT	6	COPPER ALLOY	CONTACT AREA : Au OVER Ni TERMINAL AREA : Au OVER Ni	-

NOTE1. CARD STOPPER POSITION
 NOTE2. LOT INFORMATION IS SHOWN AS BELOW.
 i. e. 4 8 2 8 1 B 1

VERSION NO. (B1 or V*)
 PRODUCTION LINE NO.
 PRODUCT DATE (YMDD)

仕様書 (SPECIFICATION) JACS-11066*	第1版 (ORIGINAL DATE) 06/OCT/2014	尺度 (SCALE) 5:1	シリーズ (SERIES) SF53	日本航空電子工業株式会社
一般公差 (GENERAL TOLERANCE) 寸法 (DIMENSION) ±0.8 × ±0.4 ×× ±0.1 ××× ±	角度 (ANGLES) ×° ± ×°×' ±	名称 (TITLE) SF53S006VCB		JAE JAPAN AVIATION ELECTRONICS INDUSTRY, LTD.
単位 (UNIT) : mm	製図 DR. 担当 CHK. K. MIKAWA 査閲 APPD. M. SHIMADA 承認 APPD. A. NATORI	質量 (MASS) -	図面番号 (DRAWING NO.) SJ115712	版数 (VER.) 2

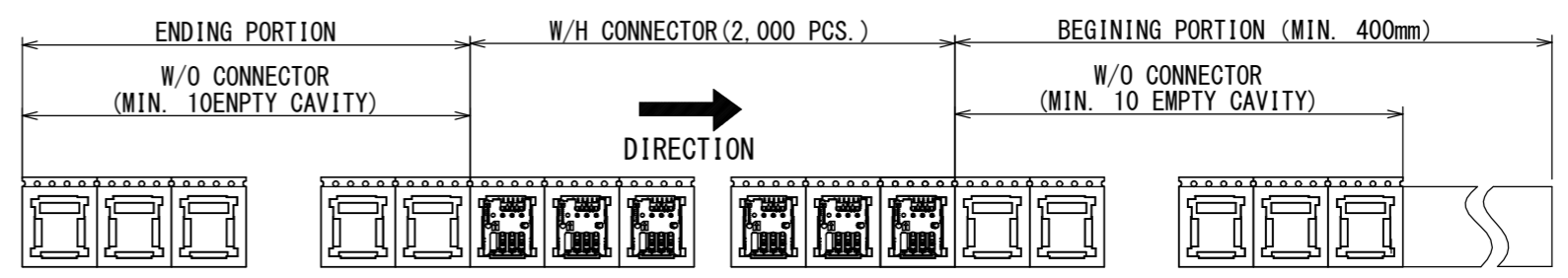
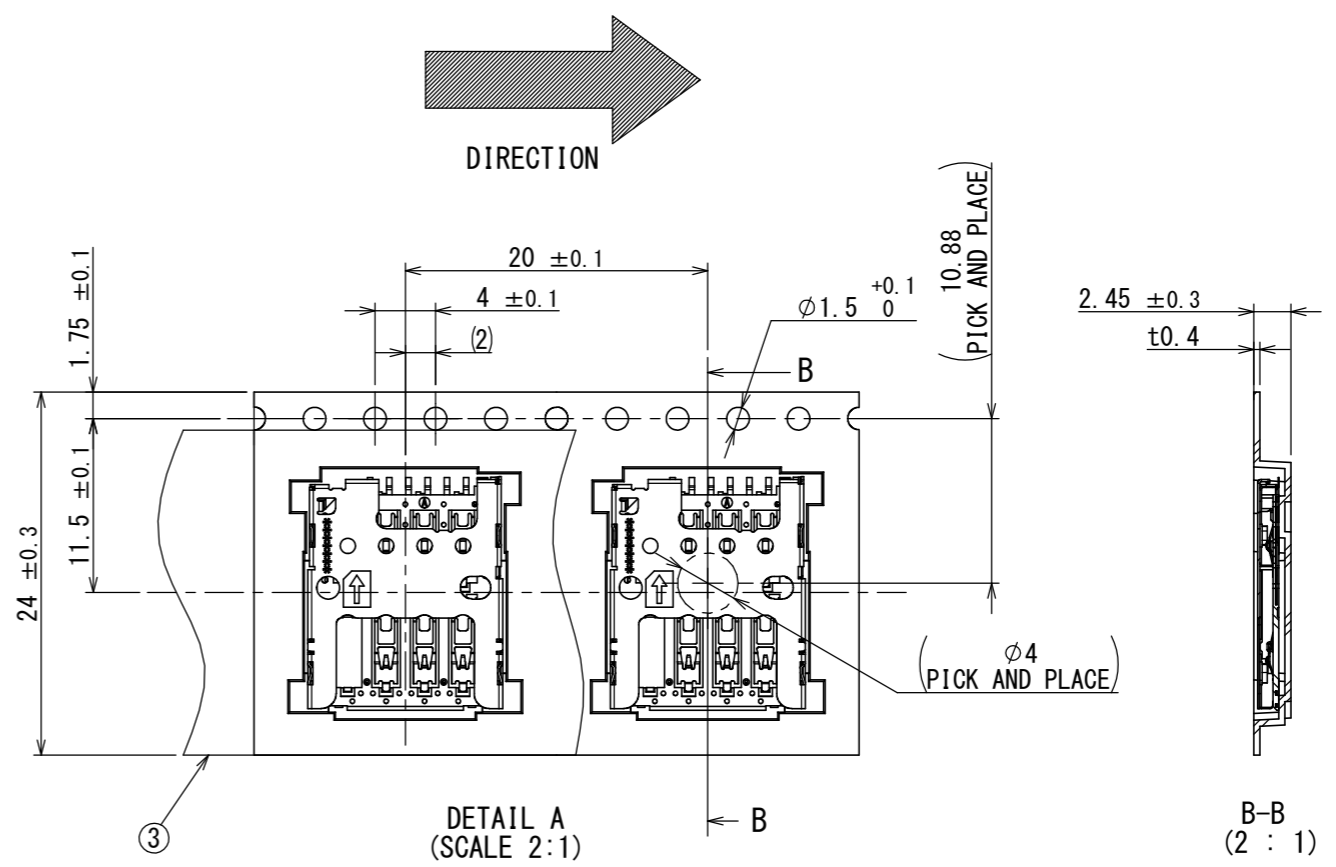
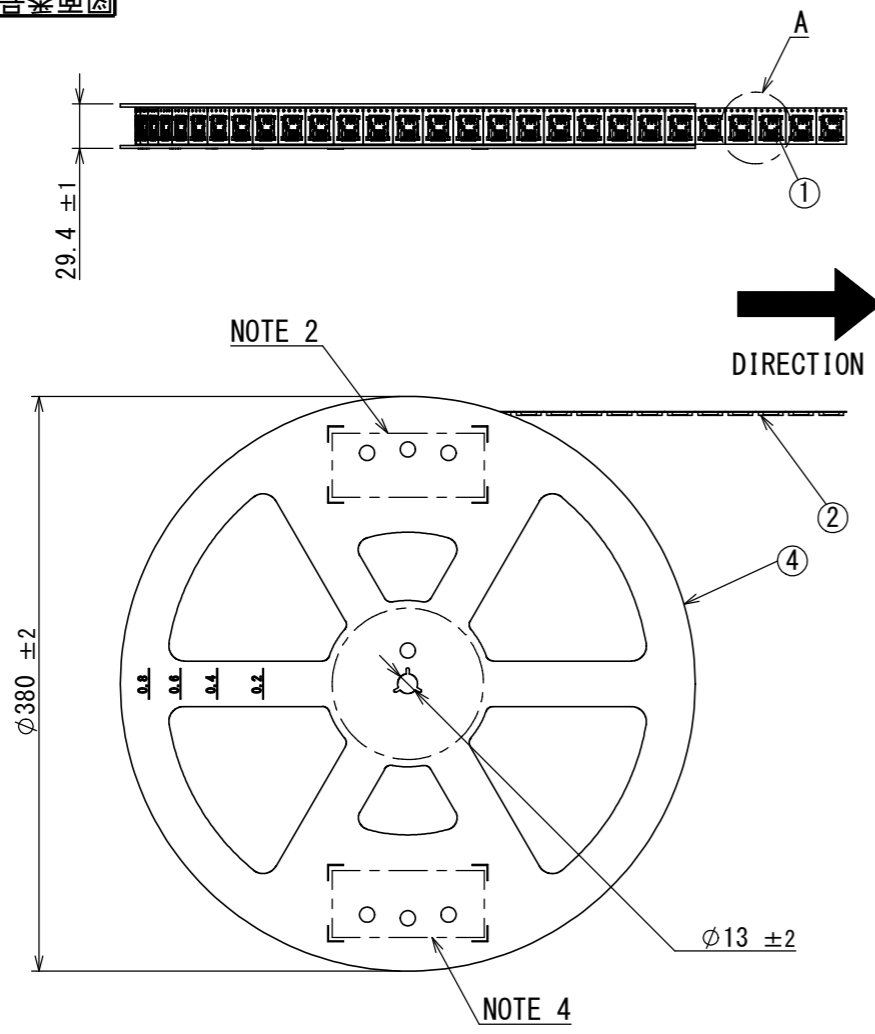
DCF-C-212H(12.08)



WISDOM承認 2016/01/28

SJ115712
(ON DRAWING) (台帳用)

版数 VER.	年月日 DATE	CN NO.	変更内容 DESCRIPTION	製図 DR.	担当 CHK.	査閲 APPD.	承認 APPD.
------------	-------------	--------	---------------------	-----------	------------	-------------	-------------



- NOTE1. SUFFIX "R2000" OF THE PART NUMBER INDICATES THAT 2000 PCS. OF SF53S006VCB CONNECTORS ARE ACCOMODATED IN ONE REEL.
2. THE LABEL IS TO BE ATTACHED ON THE MAGAZINE AS SHOWN, AND DESCRIPTION, QTY, LOT NO, EMBOSS CODE ARE SHOWN.
3. REFER TO THE DRAWING, SJ115712 (SF53S006VCB) FOR THE DIMENSION OF THE CONNECTOR.
4. IF THERE IS ANOTHER ASSIGNED LABEL, THE LABEL TO BE ATTACHED. (REFER TO JACS)

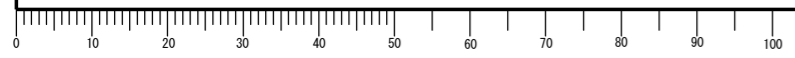
NOTE2
DESCRIPTION: SF53S006VCBR2000
QTY : 2000
LOT NO : YYMMDD-*(*: REEL NO.)
EMBOSS CODE: TB24 20

20: PITCH
24: TAPE WIDTH

符号 NO.	名称 DESCRIPTION	個数 QTY.	材料 MATERIAL	仕上 FINISH	図番 DWG NO.
4	REEL	1	PLASTIC	-	
3	COVER TAPE	1	POLYESTER	-	
2	CARRIER TAPE	1	PS	-	
1	CONNECTOR	2000	-	-	SJ115712

仕様書 (SPECIFICATION) JACS-11066*		第1版 (ORIGINAL DATE) 06/OCT/2014		尺度 (SCALE) 1:5		シリーズ (SERIES) SF53		日本航空電子工業株式会社	
一般公差 (GENERAL TOLERANCE)		製図 DR.		名称 (TITLE) SF53S006VCBR2000		JAE		JAPAN AVIATION ELECTRONICS INDUSTRY, LTD.	
寸法 (DIMENSION)		担当 CHK. K. MIKAWA		質量 (MASS)		図面番号 (DRAWING NO.) SJ115712		版数 (VER.) 1	
角度 (ANGLES)		査閲 APPD. M. SHIMADA		承認 APPD. A. NATORI		+			
単位 (UNIT) : mm									

DCF-C-212H(12.08)



WISDOM承認 2014/10/09

Looking for pricing, stock, or lifecycle information?

Click below to explore more details on WIN SOURCE:

 [View SF53S006VCBR2000](#) on WIN SOURCE

 [JAE Electronics](#) Information

Optimize Your Supply Chain with WIN SOURCE Solutions

-  Global Sourcing Solution
-  Obsolete Management
-  Cost Control Management
-  Shortage Management
-  Alternative Solution
-  Excess Inventory Management