



HDC

TE Internal #: T2400001160-000

Pin Contact, Silver (Ag), 250 VAC, Discrete Wire, 6 AWG, 16 mm²

Wire, Crimp, Copper Alloy, Power, -40 – 125 °C [-40 – 257 °F]

[View on TE.com >](#)

Connectors > Contacts > Connector Contacts



Contact Type: **Pin**

Contact Mating Area Plating Material: **Silver (Ag)**

Wire Contact Termination Area Plating Material: **Silver**

Operating Voltage: **250 VAC**

Compatible With Wire & Cable Type: **Discrete Wire**

Features

Product Type Features

Discrete Wire Type	Solid or Stranded
Sealable	No

Configuration Features

Compatible With Wire & Cable Type	Discrete Wire
-----------------------------------	---------------

Electrical Characteristics

Operating Voltage	250 VAC
-------------------	---------

Contact Features

Contact Shape & Form	Round
Barrel Type	Closed
Contact Length	35 mm[1.378 in]
Contact Type	Pin
Contact Mating Area Plating Material	Silver (Ag)
Wire Contact Termination Area Plating Material	Silver
Contact Base Material	Copper Alloy



Contact Current Rating (Max)	70 A
Mating Pin Diameter	6 mm [.236 in]
Contact Mating Area Plating Material Thickness	2 µm [78.74 µin]
Contact Mating Area Plating Material Finish	Bright
Contact Orientation	Straight
Contact Underplating Material	Copper

Termination Features

Termination Method to Wire & Cable	Crimp
Product Terminates To	Wire & Cable

Mechanical Attachment

Wire Insulation Support	Without
-------------------------	---------

Dimensions

Wire Size	16 mm ²
-----------	--------------------

Usage Conditions

Operating Temperature Range	-40 – 125 °C [-40 – 257 °F]
-----------------------------	-----------------------------

Operation/Application

Compatible With Wire Base Material	Copper
Circuit Application	Power

Packaging Features

Packaging Quantity	50
Packaging Method	Box

Product Compliance

For compliance documentation, visit the product page on [TE.com](https://www.te.com)>

EU RoHS Directive 2011/65/EU	Compliant with Exemptions
EU ELV Directive 2000/53/EC	Compliant with Exemptions
China RoHS 2 Directive MIIT Order No 32, 2016	Restricted Materials Above Threshold
EU REACH Regulation (EC) No. 1907/2006	Current ECHA Candidate List: JAN 2025 (247) Candidate List Declared Against: JAN 2025 (247) SVHC > Threshold: Pb (1.9% in 2505725083)

Article Safe Usage Statements:

Do not eat, drink or smoke when using this product. Wash thoroughly after handling. Recycle if possible and dispose of the article by following all applicable governmental regulations relevant to your geographic location.

Halogen Content

Low Halogen - Br, Cl, F, I < 900 ppm per homogenous material. Also BFR/CFR/PVC Free

Solder Process Capability

Not reviewed for solder process capability

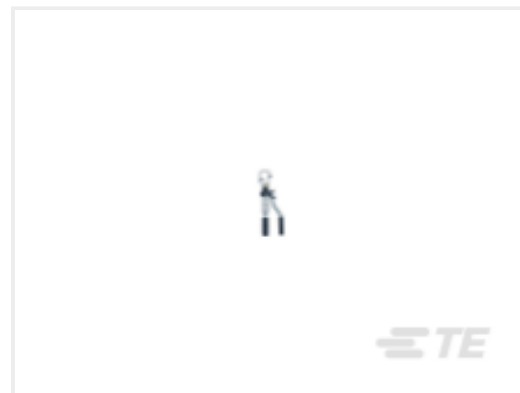
Product Compliance Disclaimer

This information is provided based on reasonable inquiry of our suppliers and represents our current actual knowledge based on the information they provided. This information is subject to change. The part numbers that TE has identified as EU RoHS compliant have a maximum concentration of 0.1% by weight in homogenous materials for lead, hexavalent chromium, mercury, PBB, PBDE, DBP, BBP, DEHP, DIBP, and 0.01% for cadmium, or qualify for an exemption to these limits as defined in the Annexes of Directive 2011/65/EU (RoHS2). Finished electrical and electronic equipment products will be CE marked as required by Directive 2011/65/EU. Components may not be CE marked. Additionally, the part numbers that TE has identified as EU ELV compliant have a maximum concentration of 0.1% by weight in homogenous materials for lead, hexavalent chromium, and mercury, and 0.01% for cadmium, or qualify for an exemption to these limits as defined in the Annexes of Directive 2000/53/EC (ELV). Regarding the REACH Regulation, the information TE provides on SVHC in articles for this part number is based on the latest European Chemicals Agency (ECHA) 'Guidance on requirements for substances in articles' posted at this URL: <https://echa.europa.eu/guidance-documents/guidance-on-reach>

Compatible Parts



TE Part # T2400002160-001
CSF-16-B



TE Part # T3100000032-000
CRIMPBOX-M-60kN



TE Part # T2400002160-000
CSF-16



TE Part # T2111020101-000
HMN-002-MC



TE Part # T3100000034-000
REMOV-HMN-002



TE Part # T3100000032-100
CRIMPBOX-E-60kN

Customers Also Bought



TE Part # T2030001002-000
CEM-0.3



TE Part # T2071104101-000
H10BP-T3-M DOCKING
FRAME_FLOATING



TE Part # T2040001060-000
CMM-6.0



TE Part # T2030002002-000
CEF-0.3



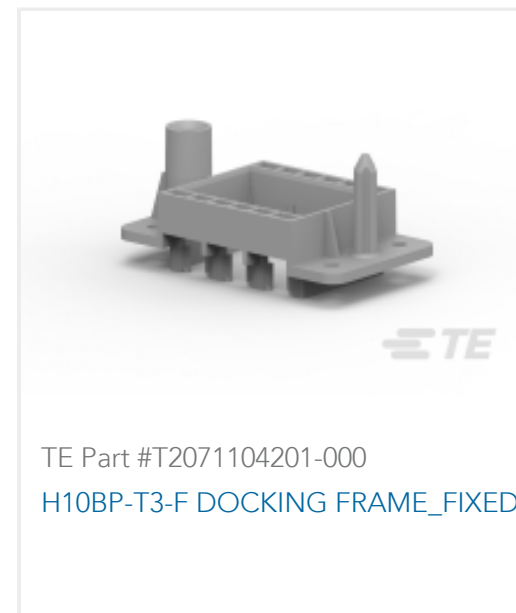
TE Part #T2400002160-001
CSF-16-B



TE Part #CAT-H3399-H648
HDC HMN Modular System, Rail
Compliant



TE Part #T2040002060-000
CMF-6.0



TE Part #T2071104201-000
H10BP-T3-F DOCKING FRAME_FIXED

Documents

Product Drawings

[CSM-16](#)

English

CAD Files

[3D PDF](#)

3D

Customer View Model

[ENG_CVM_CVM_T2400001160-000_A.2d_dxf.zip](#)

English

Customer View Model

[ENG_CVM_CVM_T2400001160-000_A.3d_igs.zip](#)

English

Customer View Model

[ENG_CVM_CVM_T2400001160-000_A.3d_stp.zip](#)

English

By downloading the CAD file I accept and agree to the [Terms and Conditions](#) of use.

Datasheets & Catalog Pages

[Heavy Duty Connectors](#)

English

[HEAVY DUTY CONNECTORS](#)

English

[HEAVY DUTY CONNECTORS](#)

Japanese

Product Specifications

[Application Specification](#)

English

Looking for pricing, stock, or lifecycle information?

Click below to explore more details on WIN SOURCE:

[View T2400001160-000 on WIN SOURCE](#)

[TE Connectivity Information](#)

Optimize Your Supply Chain with WIN SOURCE Solutions

- ✓ Global Sourcing Solution
- ✓ Obsolete Management
- ✓ Cost Control Management
- ✓ Shortage Management
- ✓ Alternative Solution
- ✓ Excess Inventory Management