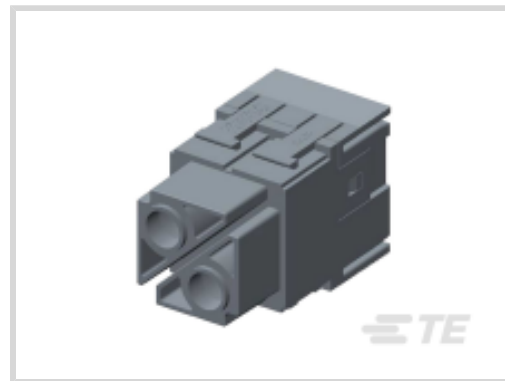




Connectors > Rectangular Connectors > Rectangular Contact Inserts > HDC HMN Modular System, Rail Compliant



Rectangular Connector Insert Type: **Insert for Contacts**

Contact Type: **Socket**

Pole Configuration: **2**

Termination Method to Wire & Cable: **Crimp**

Number of Positions: **2**

[All HDC HMN Modular System, Rail Compliant \(111\)](#)

Features

Product Type Features

Rectangular Connector Insert Type	Insert for Contacts
Sealable	No

Configuration Features

Number of Positions	2
---------------------	---

Contact Features

Contact Type	Socket
Pole Configuration	2
Contact Current Rating (Max)	100 A

Termination Features

Termination Method to Wire & Cable	Crimp
------------------------------------	-------

Operation/Application

Circuit Application	Power & Signal
---------------------	----------------

Product Compliance

[For compliance documentation, visit the product page on TE.com>](#)

EU RoHS Directive 2011/65/EU	Compliant
------------------------------	-----------



EU ELV Directive 2000/53/EC

Compliant

China RoHS 2 Directive MIIT Order No 32, 2016

No Restricted Materials Above Threshold

EU REACH Regulation (EC) No. 1907/2006

Current ECHA Candidate List: JAN 2025 (247)
Candidate List Declared Against: JAN 2025 (247)
Does not contain REACH SVHC

Halogen Content

Low Bromine/Chlorine - Br and Cl < 900 ppm per homogenous material. Also BFR /CFR/PVC Free

Solder Process Capability

Not reviewed for solder process capability

Product Compliance Disclaimer

This information is provided based on reasonable inquiry of our suppliers and represents our current actual knowledge based on the information they provided. This information is subject to change. The part numbers that TE has identified as EU RoHS compliant have a maximum concentration of 0.1% by weight in homogenous materials for lead, hexavalent chromium, mercury, PBB, PBDE, DBP, BBP, DEHP, DIBP, and 0.01% for cadmium, or qualify for an exemption to these limits as defined in the Annexes of Directive 2011/65/EU (RoHS2). Finished electrical and electronic equipment products will be CE marked as required by Directive 2011/65/EU. Components may not be CE marked. Additionally, the part numbers that TE has identified as EU ELV compliant have a maximum concentration of 0.1% by weight in homogenous materials for lead, hexavalent chromium, and mercury, and 0.01% for cadmium, or qualify for an exemption to these limits as defined in the Annexes of Directive 2000/53/EC (ELV). Regarding the REACH Regulation, the information TE provides on SVHC in articles for this part number is based on the latest European Chemicals Agency (ECHA) 'Guidance on requirements for substances in articles' posted at this URL: <https://echa.europa.eu/guidance-documents/guidance-on-reach>

Compatible Parts



TE Part # T2070164201-000
H16BN-T4-F



TE Part # T2070244203-000
H24BN-T6-F 2.5-6.0



TE Part # T2070244001-000
H24BN-T6



TE Part # T2070244201-000
H24BN-T6-F



TE Part # T1500063000-000
H6B-AG



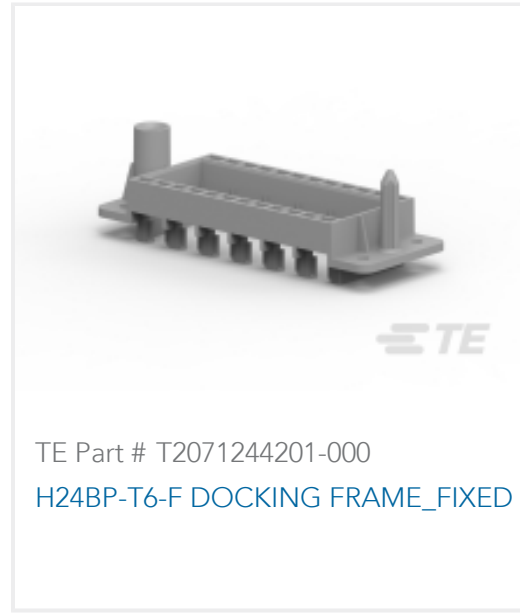
TE Part # T2070064201-000
H6BN-T2-F



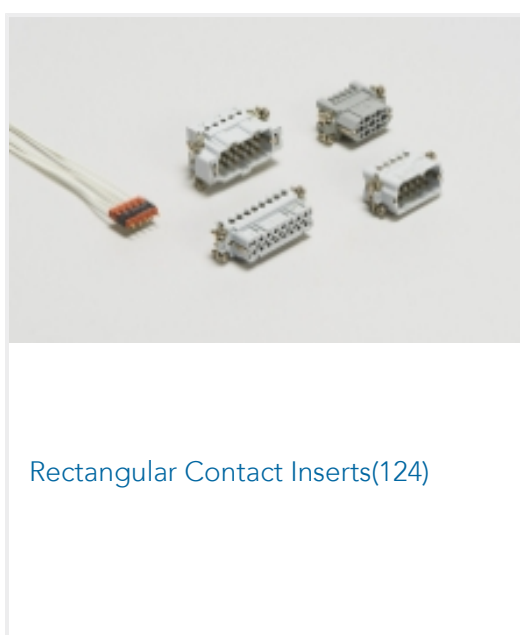
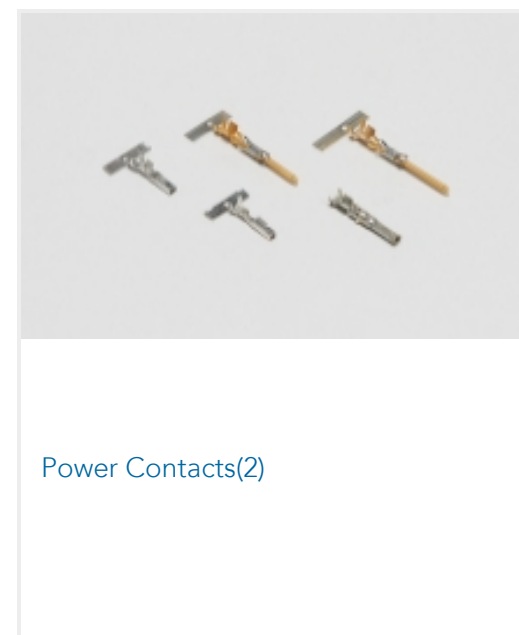
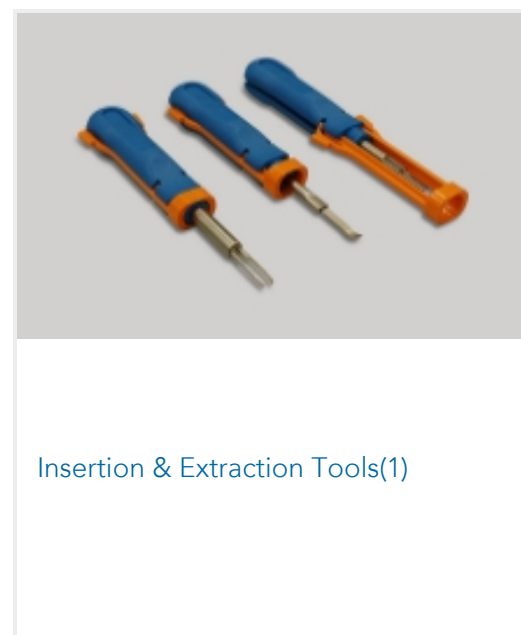
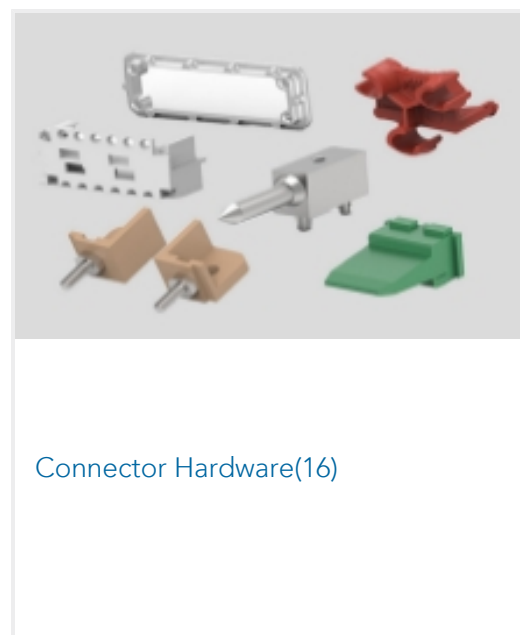
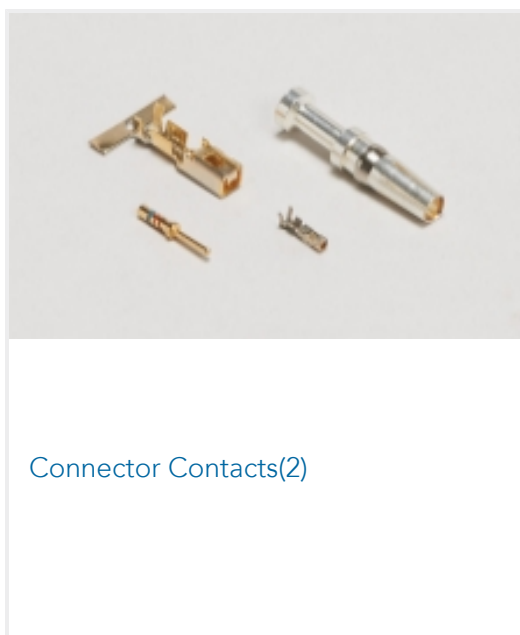
TE Part # T2111028101-000
HMN-D2-MC



TE Part # T1010062100-000
H6B-KDBP



Also in the Series | **HDC HMN**



Customers Also Bought



Documents

HMN-D2-FC

English

3D PDF

3D

Customer View Model

[ENG_CVM_CVM_T2111028201-000_B.2d_dxf.zip](#)

English

Customer View Model

[ENG_CVM_CVM_T2111028201-000_B.3d_igs.zip](#)

English

Customer View Model

[ENG_CVM_CVM_T2111028201-000_B.3d_stp.zip](#)

English

By downloading the CAD file I accept and agree to the [Terms and Conditions](#) of use.

Heavy Duty Connectors

English

HEAVY DUTY CONNECTORS



English

HEAVY DUTY CONNECTORS

Japanese

Application Specification

English

Agency Approvals

UL

English

Looking for pricing, stock, or lifecycle information?

Click below to explore more details on WIN SOURCE:

[View T2111028201-000 on WIN SOURCE](#)

[TE Connectivity Information](#)

Optimize Your Supply Chain with WIN SOURCE Solutions

- ✓ Global Sourcing Solution
- ✓ Obsolete Management
- ✓ Cost Control Management
- ✓ Shortage Management
- ✓ Alternative Solution
- ✓ Excess Inventory Management