

4

3

2

1

THIS DRAWING IS UNPUBLISHED.

RELEASED FOR PUBLICATION

20

© COPYRIGHT 20 BY -

ALL RIGHTS RESERVED.

REVISIONS

| P | LTR | DESCRIPTION | DATE | DWN | APVD |
|----|-----|---------------|-----------|-----|------|
| A1 | | ECR-16-000601 | 14JAN2016 | DW | CW |
| A2 | | ECR-16-017508 | 12DEC2016 | RL | CW |
| B | | ECR-18-005861 | 03AUG2018 | YC | CW |
| C | | ECR-21-122216 | 09DEC2021 | WQR | CW |

4X M3 SCREW
RECOMMENDED TIGHTENING
TORQUE 0.5Nm
4X M3 螺丝推荐锁紧力矩为0.5Nm

T2070164001-000 SHOWN ABOVE
WITHOUT MARK
T2070164001-000, 不带标记

2X M4 SCREW, RECOMMENDED
TIGHTENING TORQUE 1.2Nm
2X M4 螺丝, 推荐锁紧力矩为1.2Nm

PANEL CUT FOR FRAME USE
WITHOUT HOODS/ HOUSINGS

NOTES:

1. TECHNICAL CHARACTERISTICS:
FRAME MATERIAL: DIE CAST ZINC ALLOY
NUMBER OF MODULES: 4
SURFACE: ZINC PLATED
MATING CYCLES: 500 CYCLES

注释:

1. 技术参数:
框架材料: 锌合金
模块数量: 4
表面处理: 镀锌
插拔次数: 500次

| | | |
|-----------------|------------|---|
| T2070164001-000 | H16BN-T4 | H16BN MODULE FRAME H16BN模块框架 |
| T2070164101-000 | H16BN-T4-M | H16BN MALE MODULE FRAME H16BN模块公框架 |
| T2070164201-000 | H16BN-T4-F | H16BN FEMALE MODULE FRAME H16BN模块母框架 |

PART NUMBER
料号

PART DESCRIPTION
描述

THIS DRAWING IS A CONTROLLED DOCUMENT.

DWN 28FEB2015

DAVID WANG

CHK 28FEB2015

CHRIS WANG

APVD 28FEB2015

XIANG XU

PRODUCT SPEC

108-137057

APPLICATION SPEC

114-137057

WEIGHT

-

Customer Drawing

DIMENSIONS:

mm

TOLERANCES UNLESS
OTHERWISE SPECIFIED:

| | |
|--------|----|
| 0 PLC | ±- |
| 1 PLC | ±- |
| 2 PLC | ±- |
| 3 PLC | ±- |
| 4 PLC | ±- |
| ANGLES | ±- |
| FINISH | - |

MATERIAL

-

-

NAME

H16BN-T4

PRODUCT SPEC

108-137057

APPLICATION SPEC

114-137057

WEIGHT

-

Customer Drawing

TE Connectivity

NAME

H16BN-T4

SIZE

A3

CAGE CODE

00779

DRAWING NO

T2070164001000

RESTRICTED TO

-

SCALE

1:1

SHEET

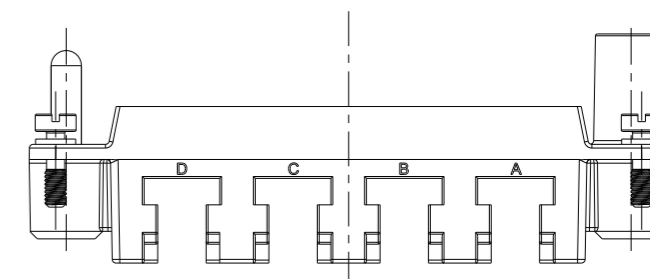
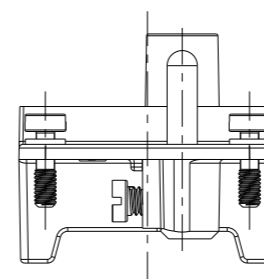
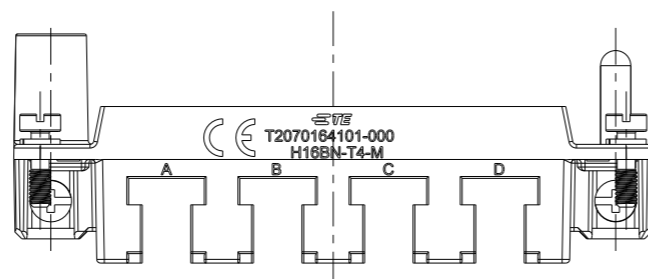
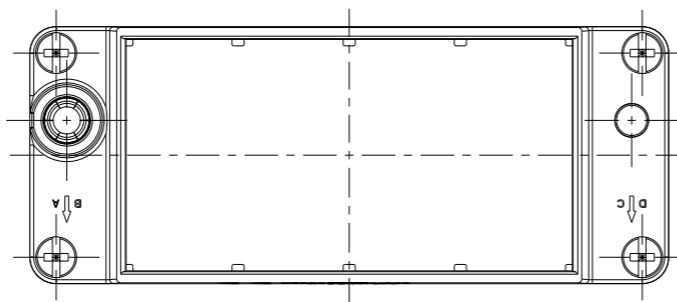
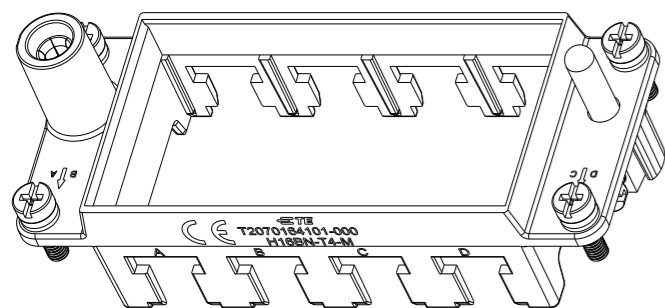
1 OF 2

REV C

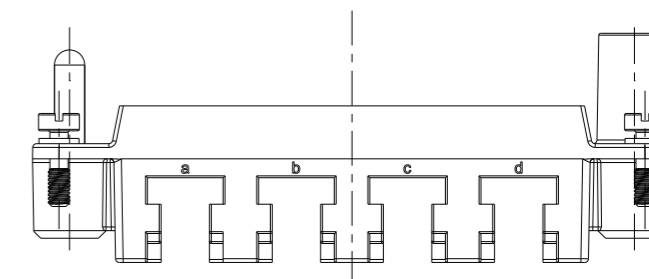
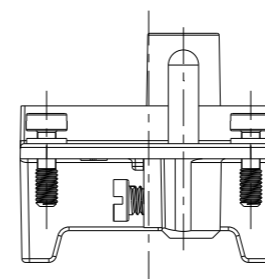
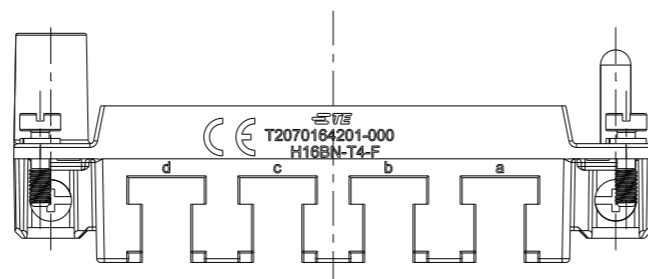
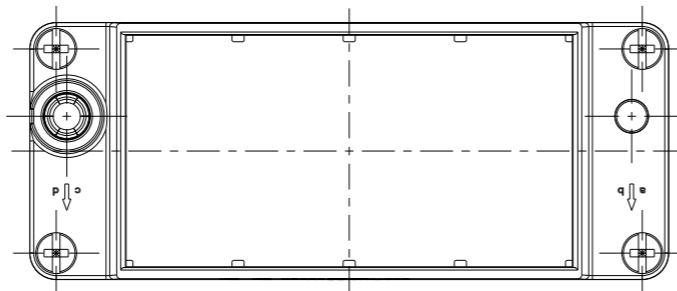
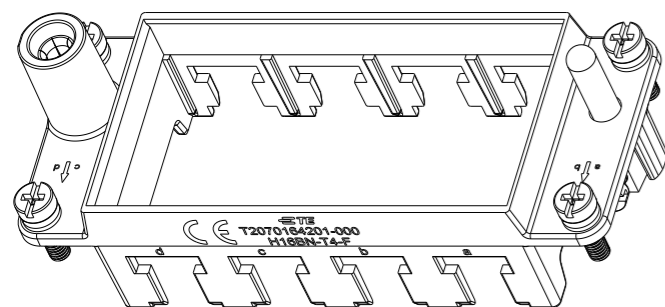
1470-19 (3/13)

REVISIONS

| P | LTR | DESCRIPTION | DATE | DWN | APVD |
|---|-----|-------------|------|-----|------|
| - | - | SEE SHEET 1 | - | - | - |
| | | | | | |
| | | | | | |



T2070164101-000, H16BN-T4-M SHOWN
 WITH MARK, ALL DIMENSIONS THE SAME TO T2070164001-000
 T2070164101-000, H16BN-T4-M, 带标记, 所有尺寸同T2070164001-000一样

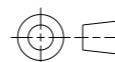


T2070164201-000, H16BN-T4-F SHOWN
 WITH MARK, ALL DIMENSIONS THE SAME TO T2070164001-000
 T2070164201-000, H16BN-T4-F, 带标记, 所有尺寸同T2070164001-000一样

THIS DRAWING IS A CONTROLLED DOCUMENT.

DIMENSIONS:

mm



TOLERANCES UNLESS OTHERWISE SPECIFIED:

- 0 PLC ±-
- 1 PLC ±-
- 2 PLC ±-
- 3 PLC ±-
- 4 PLC ±-
- ANGLES ±-
- FINISH ±-

MATERIAL

-

DWN 28FEB2015

DAVID WANG

CHK 28FEB2015

CHRIS WANG

APVD 28FEB2015

XIANG XU

PRODUCT SPEC 108-137057

APPLICATION SPEC 114-137057

WEIGHT -

Customer Drawing

NAME

H16BN-T4

SIZE

A300779

CAGE CODE

DRAWING NO

C-T2070164001000

RESTRICTED TO

-

SCALE 1:1

SHEET 2 OF 2

REV C



Looking for pricing, stock, or lifecycle information?

Click below to explore more details on WIN SOURCE:

- [View T2070164101-000 on WIN SOURCE](#)
- [TE Connectivity Information](#)

Optimize Your Supply Chain with WIN SOURCE Solutions

- ✓ Global Sourcing Solution
- ✓ Obsolete Management
- ✓ Cost Control Management
- ✓ Shortage Management
- ✓ Alternative Solution
- ✓ Excess Inventory Management