




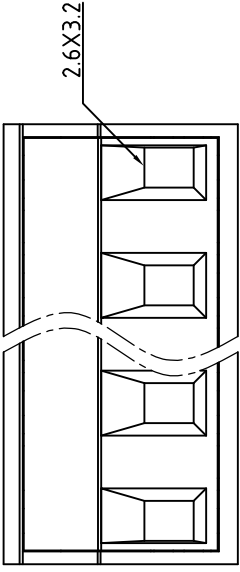
**THE DATASHEET OF
OSTTJ020150**



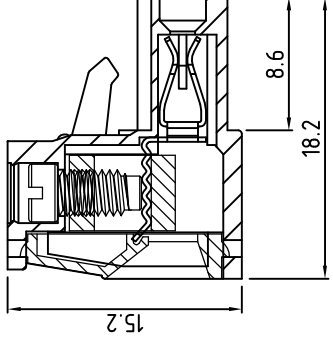
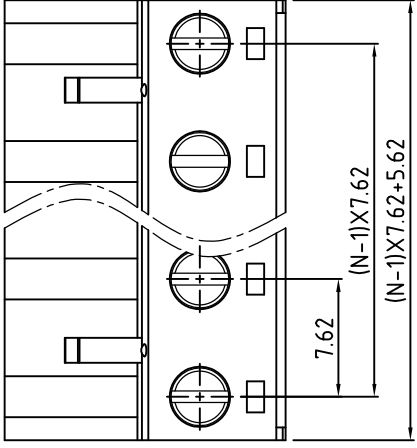
Transfer or duplication of this document as well as the utilisation or communication of its content are not permitted unless express consent is granted. Violations give rise to claims for damages. All rights reserved in case of patent, utility model or design patent registrations.

Technical Data:
Electrical
 Pitch: 7.62mm
 Voltage rating: 300V
 Current rating: 16 Amps
 Contact resistance: 20mΩ
 Withstanding Voltage: 2kV
 Wire range: 12-26AWG
 Wire strip length: 7-8mm
Mechanical:
 Torque: 5.0kgf.cm/M3
 Operating temperature: -55°C
 Safety approval: 
 RoHS Compliance

Part No.: **OSTTJXX015**



N=Number of contacts



No. of Poles
 02 2 Poles
 03 3 Poles
 ...
 24 24 Pole

Nonstandard colors
 Mins could apply

5	Screw	SSteel / M3.0
4	Contact	Copper Alloy
3	Wire guard	Copper Alloy
2	Cover	PA66 UL94V-0
1	Body	PA66 UL94V-0
ITEM	NAME OF PART	MATERIAL
DWG.	DATE	USER
CHK.	DATE	STATUS
APP.	DATE	TITLE



ON-SHORE TECHNOLOGY, INC. ID

REV	△	SIGN	DESCRIPTION	CHK.	DATE

Looking for pricing, stock, or lifecycle information?

Click below to explore more details on WIN SOURCE:

- ⊖ [View OSTTJ020150](#) on WIN SOURCE
- ⊖ [On Shore Technology Inc.](#) Information

Optimize Your Supply Chain with WIN SOURCE Solutions

- ✓ Global Sourcing Solution
- ✓ Obsolete Management
- ✓ Cost Control Management
- ✓ Shortage Management
- ✓ Alternative Solution
- ✓ Excess Inventory Management