



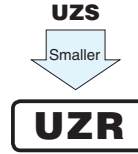
**THE DATASHEET OF  
UZR1C100MCL1GB**



# ALUMINUM ELECTROLYTIC CAPACITORS

# UZR

3.95mmLmax. Chip Type



- Chip type with 3.95mmLmax height.
- Designed for surface mounting on high density PC board.
- Applicable to automatic mounting machine fed with carrier tape.
- Compliant to the RoHS directive (2011/65/EU,(EU)2015/863).
- AEC-Q200 compliant. Please contact us for details.

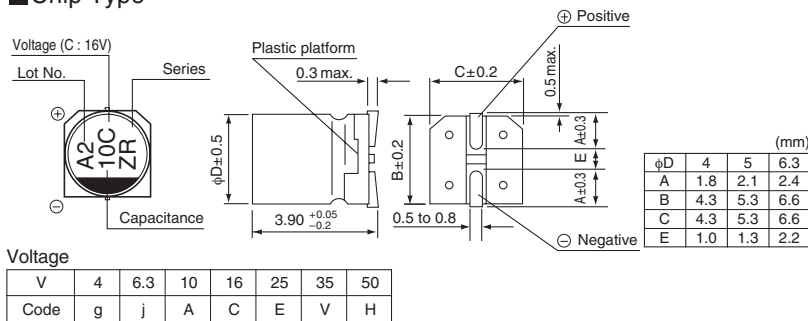
Products which are scheduled to be discontinued.  
Not recommended for new designs.

## Specifications

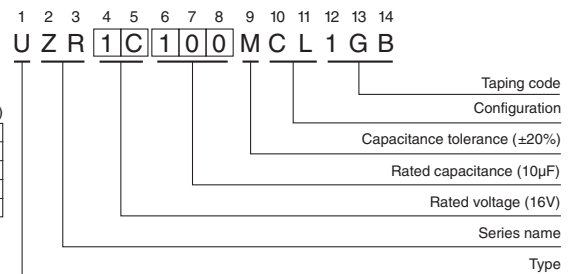
Item	Performance Characteristics																	
Category Temperature Range	-40 to +85°C																	
Rated Voltage Range	4 to 50V																	
Rated Capacitance Range	1 to 220μF																	
Capacitance Tolerance	±20% at 120Hz, 20°C																	
Leakage Current ※	After 2 minutes' application of rated voltage at 20°C, leakage current is not more than 0.01 CV or 3 (μA), whichever is greater.																	
Tangent of loss angle (tan δ)	Rated voltage (V)	4	6.3	10	16	25	35	50	120Hz 20°C									
	tan δ (max.)	0.50	0.30	0.24	0.19	0.16	0.14	0.14										
Stability at Low Temperature	Rated voltage (V)	4	6.3	10	16	25	35	50	120Hz									
	Impedance ratio ZT / Z20 (max.)	Z(-25°C) / Z(+20°C)	7	4	3	2	2	2		2								
		Z(-40°C) / Z(+20°C)	15	8	8	4	4	3		3								
Endurance	The specifications listed at right shall be met when the capacitors are restored to 20°C after the rated voltage is applied for 1000 hours at 85°C.																	
										Capacitance change	Within ±30% of the initial capacitance value							
										tan δ	300% or less than the initial specified value							
Shelf Life	After storing the capacitors under no load at 85°C for 1000 hours and then performing voltage treatment based on JIS C 5101-4 clause 4.1 at 20°C, they shall meet the specified values for the endurance characteristics listed above.																	
										Leakage current	Less than or equal to the initial specified value							
										tan δ	300% or less than the initial specified value							
Resistance to soldering heat	The capacitors are kept on a hot plate for 30 seconds, which is maintained at 250°C. The capacitors shall meet the characteristic requirements listed at right when they are removed from the plate and restored to 20°C.																	
										Capacitance change	Within ±10% of the initial capacitance value							
										Leakage current	Less than or equal to the initial specified value							
Marking	Black print on the case top.																	

※ I : Leakage Current (μA), C : Rated Capacitance (μF), V : Rated Voltage (V)

## Chip Type



## Type numbering system (Example : 16V 10μF)



## Frequency coefficient of rated ripple current

Frequency	50 Hz	120 Hz	300 Hz	1 kHz	10 kHz or more
Coefficient	0.70	1.00	1.17	1.36	1.50

● Dimension table in next page.

## UZR



## ■ Dimensions

Rated Voltage (V) (code)	Rated Capacitance ( $\mu$ F)	Case Size $\phi$ D $\times$ L (mm)	$\tan \delta$	Leakage Current ( $\mu$ A) (at 20°C after 2 minutes)	Rated Ripple (mArms) (85°C/120Hz)	Part Number
4 (0G)	33	4 $\times$ 3.9	0.50	3	28	UZR0G330MCL1GB
	47	4 $\times$ 3.9	0.50	3	33	UZR0G470MCL1GB
	100	5 $\times$ 3.9	0.50	4	56	UZR0G101MCL1GB
	220	6.3 $\times$ 3.9	0.50	8.8	96	UZR0G221MCL1GB
6.3 (0J)	22	4 $\times$ 3.9	0.30	3	28	UZR0J220MCL1GB
	33	5 $\times$ 3.9	0.30	3	37	UZR0J330MCL1GB
	47	5 $\times$ 3.9	0.30	3	45	UZR0J470MCL1GB
	100	6.3 $\times$ 3.9	0.30	6.3	70	UZR0J101MCL1GB
10 (1A)	22	5 $\times$ 3.9	0.24	3	33	UZR1A220MCL1GB
	33	5 $\times$ 3.9	0.24	3.3	41	UZR1A330MCL1GB
	47	6.3 $\times$ 3.9	0.24	4.7	52	UZR1A470MCL1GB
16 (1C)	10	4 $\times$ 3.9	0.19	3	23	UZR1C100MCL1GB
	22	5 $\times$ 3.9	0.19	3.52	37	UZR1C220MCL1GB
	33	6.3 $\times$ 3.9	0.19	5.28	49	UZR1C330MCL1GB
	47	6.3 $\times$ 3.9	0.19	7.52	58	UZR1C470MCL1GB
25 (1E)	4.7	4 $\times$ 3.9	0.16	3	16	UZR1E4R7MCL1GB
	10	5 $\times$ 3.9	0.16	3	27	UZR1E100MCL1GB
	22	6.3 $\times$ 3.9	0.16	5.5	42	UZR1E220MCL1GB
	33	6.3 $\times$ 3.9	0.16	8.25	52	UZR1E330MCL1GB
35 (1V)	4.7	4 $\times$ 3.9	0.14	3	18	UZR1V4R7MCL1GB
	10	5 $\times$ 3.9	0.14	3.5	29	UZR1V100MCL1GB
	22	6.3 $\times$ 3.9	0.14	7.7	46	UZR1V220MCL1GB
50 (1H)	1	4 $\times$ 3.9	0.14	3	8.4	UZR1H010MCL1GB
	2.2	4 $\times$ 3.9	0.14	3	13	UZR1H2R2MCL1GB
	3.3	4 $\times$ 3.9	0.14	3	17	UZR1H3R3MCL1GB
	4.7	5 $\times$ 3.9	0.14	3	20	UZR1H4R7MCL1GB
	10	6.3 $\times$ 3.9	0.14	5	33	UZR1H100MCL1GB

• For taping specifications, recommended land size/soldering by reflow and minimum order quantity, please refer to the Guidelines for Aluminum Electrolytic Capacitors.

## Looking for pricing, stock, or lifecycle information?

Click below to explore more details on WIN SOURCE:

-  [View UZR1C100MCL1GB on WIN SOURCE](#)
-  [Nichicon Information](#)

## Optimize Your Supply Chain with WIN SOURCE Solutions

-  Global Sourcing Solution
-  Obsolete Management
-  Cost Control Management
-  Shortage Management
-  Alternative Solution
-  Excess Inventory Management