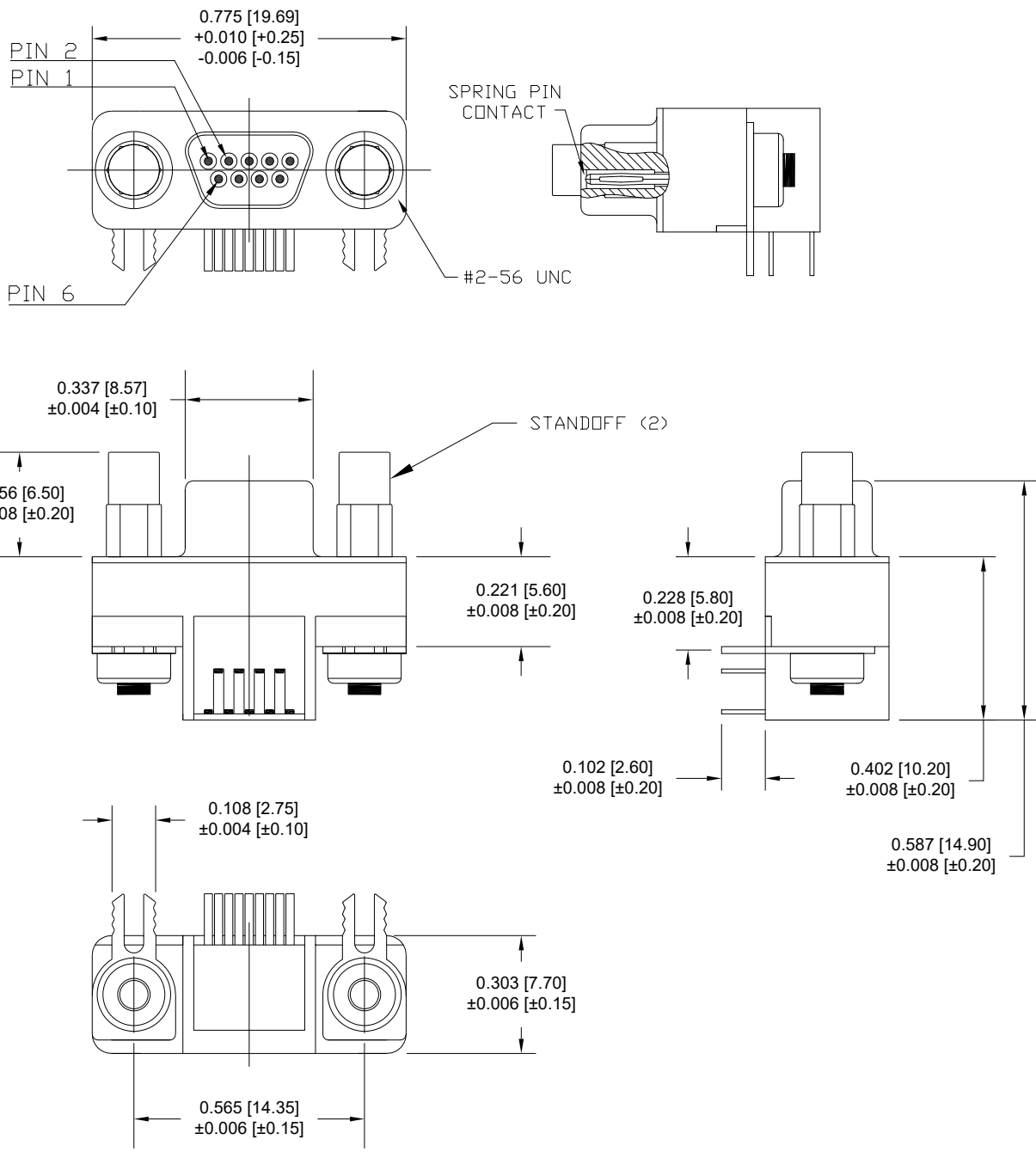




THE DATASHEET OF
381-009-112L565

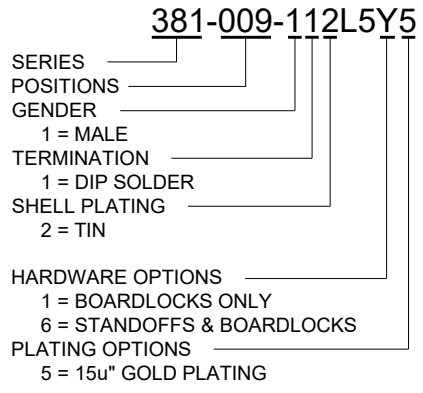


DESCRIPTION: MICRO D-SUB CONNECTOR - MALE - RIGHT ANGLE



SPECIFICATIONS:

- MATERIALS:**
- INSULATOR: THERMOPLASTIC, UL94 V-0
 - CONTACTS: 15µ" GOLD PLATED BRASS
TIN PLATED SOLDER TAILS
NICKEL UNDERPLATE
TIN PLATED STEEL
- SHELL:**
- ELECTRICAL:**
- RATED CURRENT: 1A
 - D.W.V.: 500 VAC 1 MIN
 - INSULATION RESISTANCE: 100 MOhms MIN.
 - CONTACT RESISTANCE: 45 mOhms MAX.
- ENVIRONMENT:**
- OPERATING TEMPERATURE: -55°C TO +85°C
- MAX TORQUE STANDOFFS:** 2.5in-lbs



NOTE:

*NOT DESIGNED TO MATE WITH NORCOMP 580-M // 581-M SERIES CONNECTORS. IF ANY QUESTIONS PLEASE CONTACT ENG@NORCOMP.NET

**IF MATING TO NORCOMP 380 SERIES FEMALE MICRO D, STANDOFFS ON THIS CONNECTOR MUST BE REMOVED TO ALLOW FULLY FASTENED MATING

RoHS COMPLIANT

UNITS = inch [mm] DO NOT SCALE FROM DRAWING

NC

THESE DRAWINGS AND SPECIFICATIONS ARE THE PROPERTY OF NorComp AND SHALL NOT BE REPRODUCED, COPIED OR USED AS THE BASIS FOR THE MANUFACTURE OR SALE OF APPARATUS WITHOUT WRITTEN PERMISSION.

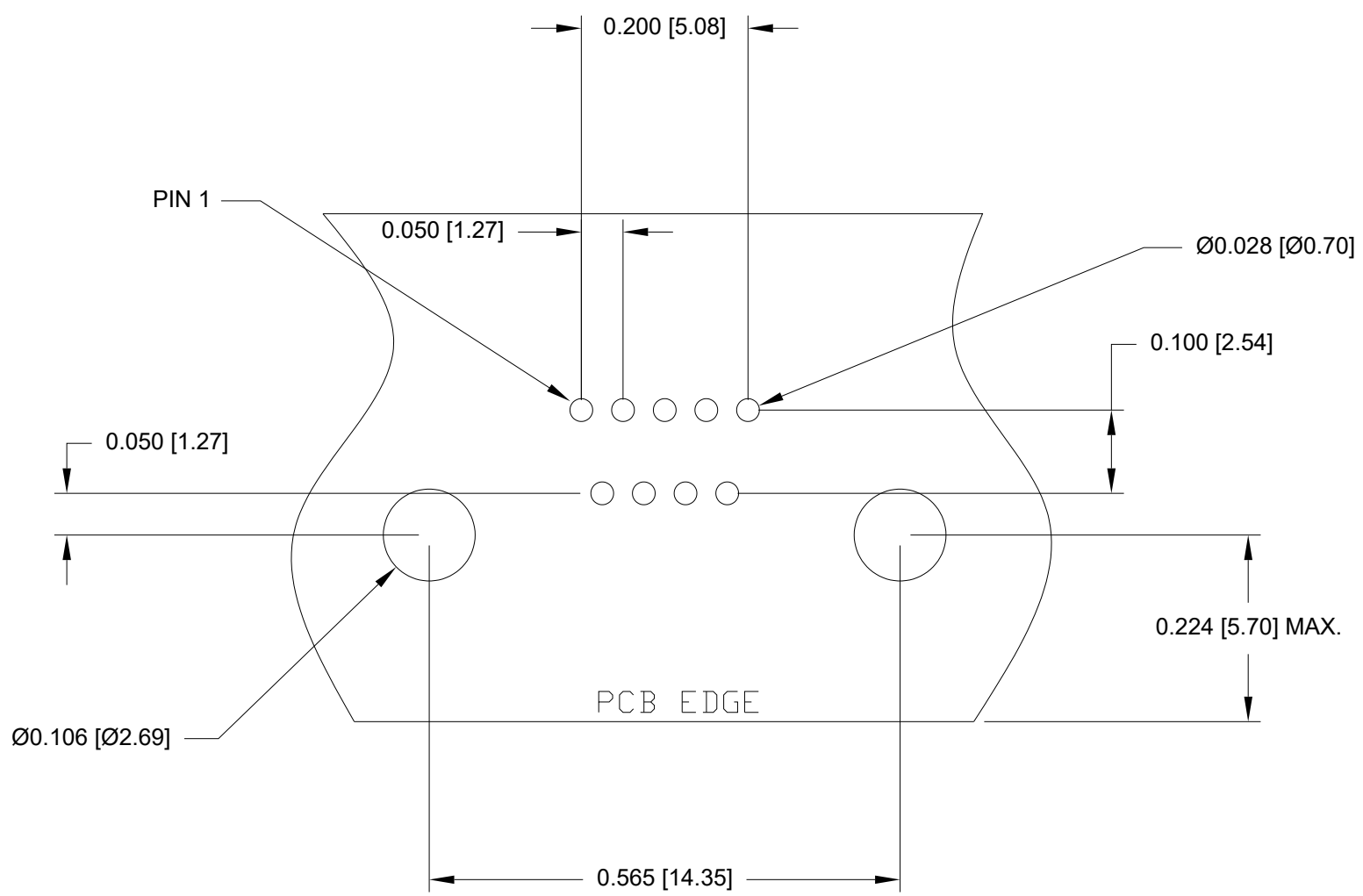
DRAWN: M. SIGMON

DATE: 08/18/2011

NorComp

SCALE: NTS SHEET 1 OF 2 REV 7

DWG NO. 381-009-112L565



RECOMMENDED RECOMMENDED PCB LAYOUT (Top View)
(9 POSITION ONLY) TOLERANCE ±0.002 [±0.05]

RoHS COMPLIANT

UNITS = inch [mm]

DO NOT SCALE FROM DRAWING



THESE DRAWINGS AND SPECIFICATIONS ARE THE PROPERTY OF NorComp AND SHALL NOT BE REPRODUCED, COPIED OR USED AS THE BASIS FOR THE MANUFACTURE OR SALE OF APPARATUS WITHOUT WRITTEN PERMISSION.

DRAWN:
M. SIGMON

DATE:
08/18/2011

NorComp

SCALE: NTS	SHEET 2	OF 2	REV 7
DWG NO.		381-009-112L565	

Looking for pricing, stock, or lifecycle information?

Click below to explore more details on WIN SOURCE:

 [View 381-009-112L565 on WIN SOURCE](#)

 [NorComp Inc. Information](#)

Optimize Your Supply Chain with WIN SOURCE Solutions

-  Global Sourcing Solution
-  Obsolete Management
-  Cost Control Management
-  Shortage Management
-  Alternative Solution
-  Excess Inventory Management