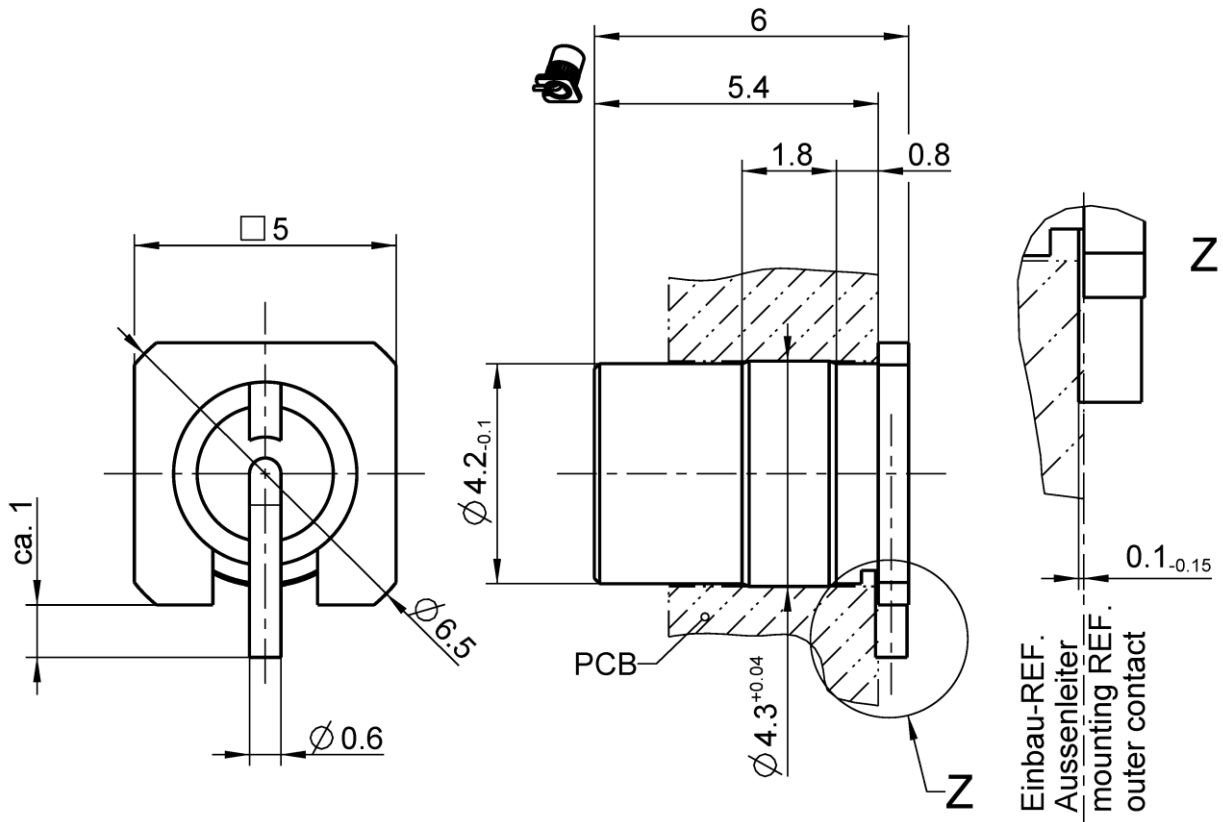




**THE DATASHEET OF  
19S10A-40ML5**





All dimensions are in mm; tolerances acc. ISO 2768 m-H

**Interface**

According to MIL-STD-348

**Documents**

PCB layout B 229

**Material and plating**

**Connector parts**

Center contact  
Outer contact  
Dielectric

**Material**

Brass  
Brass  
PTFE

**Plating**

AuroDur®, gold plated  
AuroDur®, gold plated

**Electrical data**

Impedance	50 Ω
Frequency	DC to 26.5 GHz
Return loss	≥ 26 dB @ DC to 6 GHz ≥ 21 dB @ 6 GHz to 12 GHz
Insertion loss	≤ 0.05 x √f [GHz] dB @ DC to 12 GHz
Insulation resistance	≥ 5 GΩ
Center contact resistance	≤ 6.0 mΩ
Outer contact resistance	≤ 2.0 mΩ
Test voltage (at sea level)	500 V rms
Working voltage (at sea level)	335 V rms
Contact Current	≤ 1.2A DC

- VSWR in application depends decisive on PCB layout

**Mechanical data**

Mating cycles	≥ 500
Center contact captivation	≥ 7 N
Engagement force	
- Limited detent	≤ 45 N
Disengagement force	
- Limited detent	≥ 9 N

**Environmental data**

Temperature range	-65 °C to +155 °C
Thermal shock	MIL-STD-202, Method 107, Condition B
Vibration	MIL-STD-202, Method 204, Condition B
Shock	MIL-STD-202, Method 213, Condition A
Moisture resistance	MIL-STD-202, Method 106
Max. soldering temperature	IEC 61760-1, +260 °C for 10 sec.
RoHS	compliant

**Tooling**

N/A

**Suitable cables**

N/A

**Weight**

Weight 0.5 g/pce

While the information has been carefully compiled to the best of our knowledge, nothing is intended as representation or warranty on our part and no statement herein shall be construed as recommendation to infringe existing patents. In the effort to improve our products, we reserve the right to make changes judged to be necessary.

For the installation of the electrotechnical equipment, particular electrotechnical expertise is required.



Dieses Dokument ist urheberrechtlich geschützt • This document is protected by copyright • Rosenberger Hochfrequenztechnik GmbH & Co. KG

RF\_35/05.10/6.0

Draft	Date	Approved	Date	Rev.	Engineering change number	Name	Date
A. König	05/02/07	Chr. Janßen	27.10.20	b00	20-1927	S. Huber-Siegl	27.10.20
Rosenberger Hochfrequenztechnik GmbH & Co. KG P.O.Box 1260 D-84526 Tittmoning Germany <a href="http://www.rosenberger.de">www.rosenberger.de</a>						Tel. : +49 8684 18-0 Email : <a href="mailto:info@rosenberger.de">info@rosenberger.de</a>	
							Page 2 / 2

## Looking for pricing, stock, or lifecycle information?

Click below to explore more details on WIN SOURCE:

- [View 19S10A-40ML5 on WIN SOURCE](#)
- [Rosenberger Information](#)

## Optimize Your Supply Chain with WIN SOURCE Solutions

- ✓ Global Sourcing Solution
- ✓ Obsolete Management
- ✓ Cost Control Management
- ✓ Shortage Management
- ✓ Alternative Solution
- ✓ Excess Inventory Management