



THE DATASHEET OF EXC-24CD900U



NEW

Common mode Noise Filters

Type: **EXC24CD**



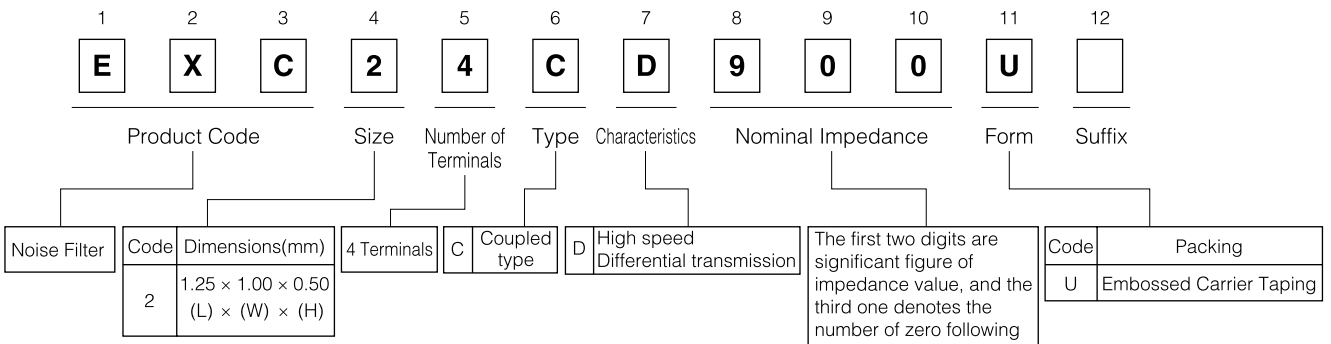
■ **Features**

- Effective in noise suppression of portable equipment
- Magnetic shield type
- Small size(L 1.25 mm×W 1.00 mm×H 0.50 mm) and light weight(About 3 mg)

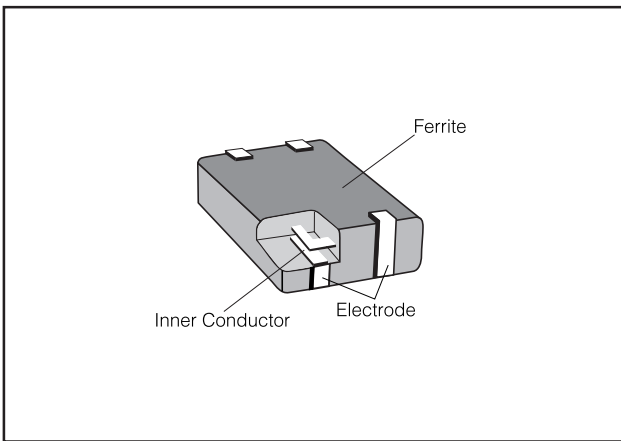
■ **Recommended Applications**

- Digital audio and Video equipment such as PDA, DSC, DVC, CD Player, DVD Player, MD Player.
- USB data line of Mobile phone (IMT2000).
- Small digital equipment such as Personal computers.

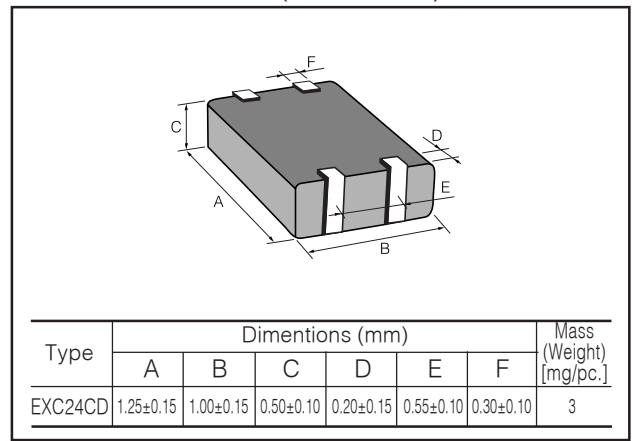
■ **Explanation of Part Numbers**



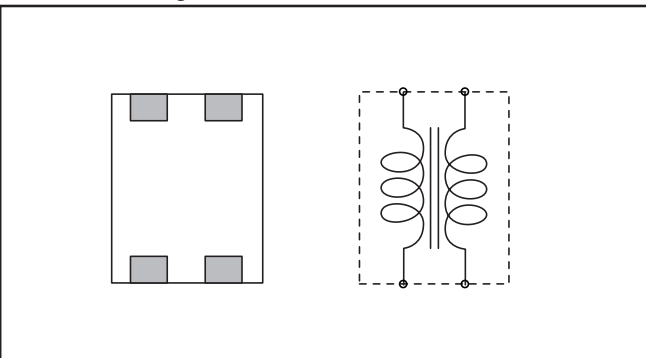
■ **Construction**



■ **Dimensions in mm (not to scale)**



■ **Circuit Configuration**



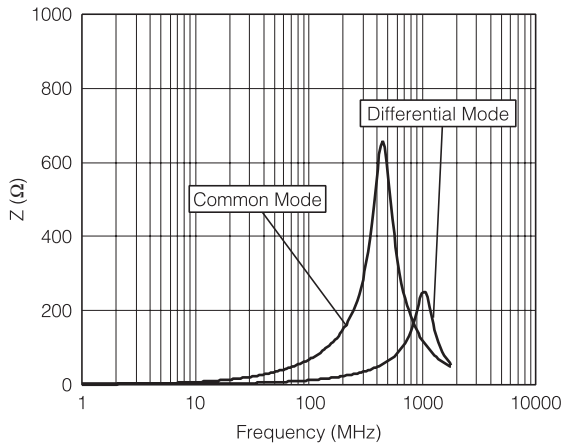
■ Ratings

Part Number	Impedance (Ω) at 100 MHz		Rated Voltage (V DC)	Rated Current (mA DC)	DC Resistance (Ω) max.
	Common Mode	Differential Mode			
EXC24CD600U	60 Typ.	20 max.	5	160	2.0
EXC24CD900U	90 Typ.	30 max.	5	160	2.0
EXC24CD121U	120 Typ.	35 max.	5	140	2.0
EXC24CD201U	200 Typ.	40 max.	5	130	3.0

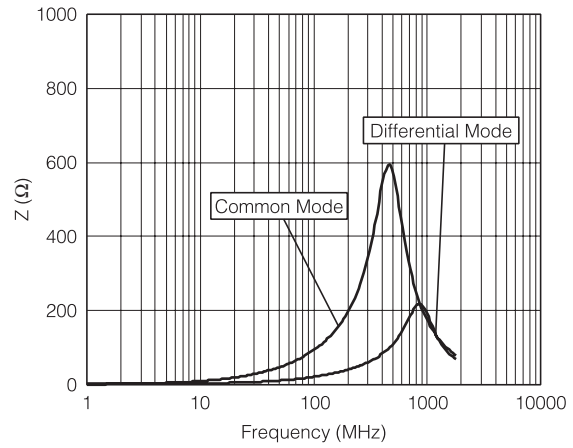
■ Impedance Characteristics (Typical)

Measured by HP4291A

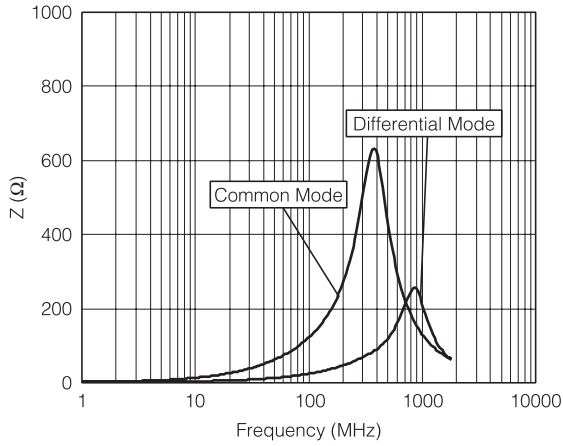
● EXC24CD600U



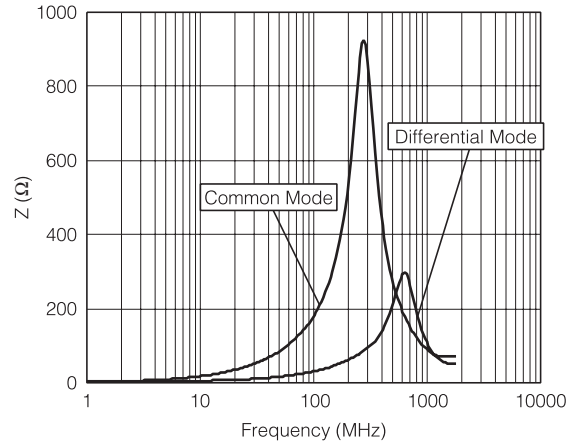
● EXC24CD900U



● EXC24CD121U

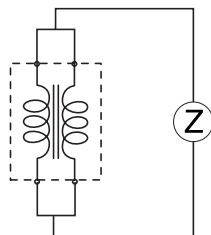


● EXC24CD201U

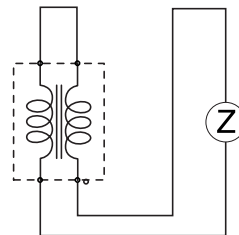


● Measurement Circuit

(A) Common Mode



(B) Differential Mode



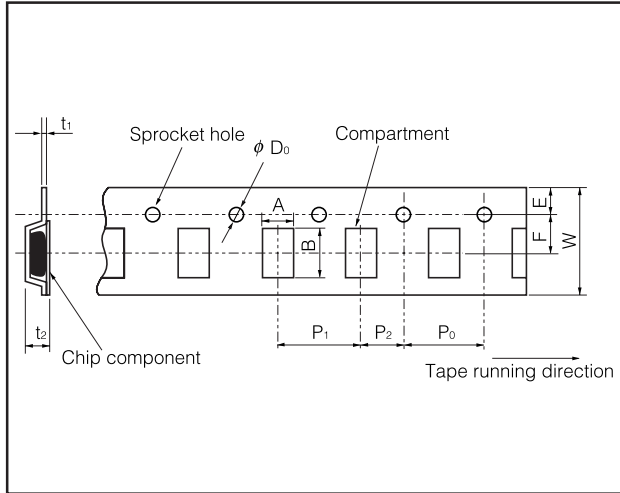
NEW

■ Packaging Methods (Taping)

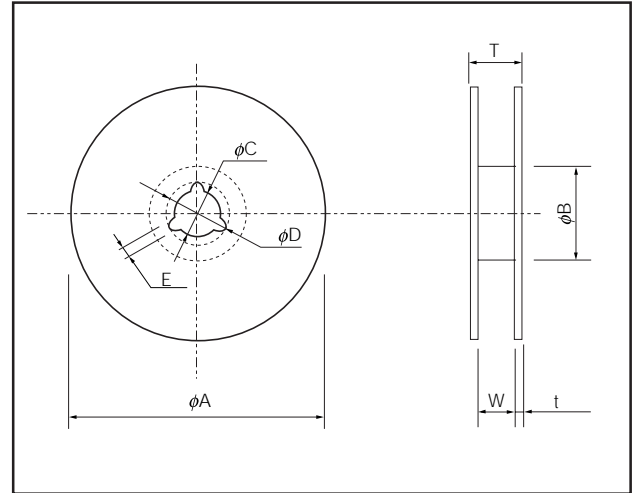
- Standard Quantity

Part Number	Kind of Taping	Pitch (P ₁)	Quantity
EXC24CD□□□U	Embossed Carrier Taping	4 mm	5000 pcs./reel

● Embossed Carrier Taping



● Taping Reel



Embossed Carrier Dimensions (mm)

Part Number	A	B	W	F	E	P ₁	P ₂	P ₀	φD ₀	t ₁	t ₂
EXC24CD□□□U	1.20±0.15	1.45±0.15	8.0±0.2	3.5±0.1	1.75±0.10	4.0±0.1	2.0±0.1	4.0±0.1	1.5±0.1	0.25±0.05	0.90±0.15

Standard Reel Dimensions (mm)

Part Number	φA	φB	φC	φD	E	W	T	t
EXC24CD□□□U	180.0±3.0	60.0±1.0	13.0±0.5	21.0±0.8	2.0±0.5	9.0±0.3	11.4±1.5	1.2±0.2

■ Recommended Land Pattern

Dimension (mm)	
A	1.60 to 2.00
B	0.95
C	0.70
D	0.45 to 0.65
E	0.35
F	0.25

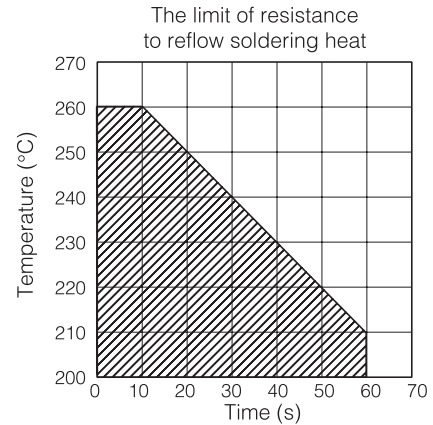
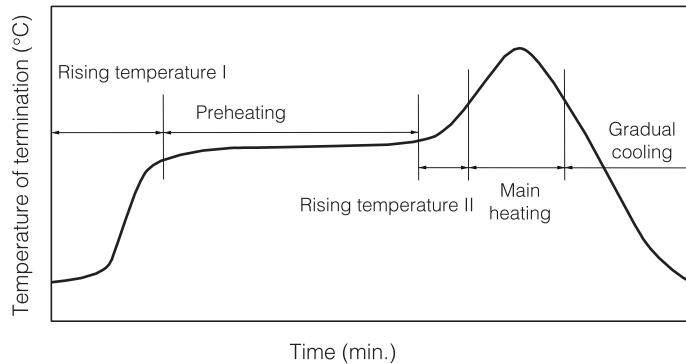
Design and specifications are each subject to change without notice. Ask factory for the current technical specifications before purchase and/or use. Should a safety concern arise regarding this product, please be sure to contact us immediately.

Recommended Soldering Conditions

Recommendations and precautions are described below.

- Please contact us for additional information when you use in conditions other than those specified.
- Please measure a temperature of terminations and study solderability every type of the board, before actual use.

<Recommended reflow soldering temperature>



Solder	Rising temperature I	Preheating	Rising temperature II	Main heating	Gradual cooling
For solder (Sn-37Pb)	The normal time for preheating 30 s to 60 s	140 °C to 160 °C 60 s to 120 s	Preheating to 200 °C 20 s to 40 s	235±10 °C Peak	200 °C to 100 °C 1 °C to 4 °C/s
For lead-free solder (Sn-3Ag-0.5Cu)	The normal time for preheating 30 s to 60 s	150 °C to 170 °C 60 s to 120 s	Preheating to 210 °C 20 s to 40 s	250 ⁺¹⁰ ₋₅ °C Peak	210 °C to 100 °C 1 °C to 4 °C/s

* Reflow soldering shall be two times maximum.

<Repair with hand soldering>

- Use a soldering iron with tip temperature 280 °C or less. Solder for 3 seconds or less for each termination.

⚠ Cautions for Safety

The following are precautions for individual products. Please also refer to the precautions common to CR Combinations, Fuses, and Sensors shown on page EX3 of this catalog.

1. When possible, do not mount Common mode Noise Filters (hereafter called the Filters) by flow soldering. It is highly possible that flow soldering may cause bridges between the electrodes.
2. Use rosin-based flux or halogen-free flux.
3. For cleaning, use an alcohol-based cleaning agent. Before using any other type, consult with our sales person in advance.
4. Do not apply a shock to the Filters or pinch them with a hard tool (e.g. pliers and tweezers). Otherwise, their bodies may be chipped, affecting their performance. Excessive mechanical stress may damage the Filters. Handle with care.
5. Store the Filters in a location at a temperature from -5 °C to +40 °C and relative humidity from 40 % to 60 %, where there are no rapid changes in temperature or humidity.
6. Use the Filters within half a year after the date of the outgoing inspection indicated on the packages.

⚠ Caution for Safety (Common precautions for CR Combinations, Fuses, and Sensors)

- When using our products, no matter what sort of equipment they might be used for, be sure to make a written agreement on the specifications with us in advance. The design and specifications in this catalog are subject to change without prior notice.
- Do not use the products beyond the specifications described in this catalog.
- This catalog explains the quality and performance of the products as individual components. Before use, check and evaluate their operations when installed in your products.
- Install the following systems for a failsafe design to ensure safety if these products are to be used in equipment where a defect in these products may cause the loss of human life or other significant damage, such as damage to vehicles (automobile, train, vessel), traffic lights, medical equipment, aerospace equipment, electric heating appliances, combustion/gas equipment, rotating equipment, and disaster/crime prevention equipment.
- * Systems equipped with a protection circuit and a protection device
- * Systems equipped with a redundant circuit or other system to prevent an unsafe status in the event of a single fault

(1) Precautions for use

- These products are designed and manufactured for general purpose and standard use in general electronic equipment (e.g. AV equipment, home electric appliances, office equipment, information and communication equipment)
- These products are not intended for use in the following special conditions. Before using the products, carefully check the effects on their quality and performance, and determine whether or not they can be used.
 1. In liquid, such as water, oil, chemicals, or organic solvent
 2. In direct sunlight, outdoors, or in dust
 3. In salty air or air with a high concentration of corrosive gas, such as Cl₂, H₂S, NH₃, SO₂, or NO₂
 4. In an environment where strong static electricity or electromagnetic waves exist
 5. In an environment where these products cause dew condensation
 6. Sealing or coating of these products or a printed circuit board on which these products are mounted, with resin or other materials
- These products generate Joule heat when energized. Carefully position these products so that their heat will not affect the other components.
- Carefully position these products so that their temperatures will not exceed the category temperature range due to the effects of neighboring heat-generating components. Do not mount or place heat-generating components or inflammables, such as vinyl-coated wires, near these products (except Thermal Cutoffs).
- Note that non-cleaning solder, halogen-based highly active flux, or water-soluble flux may deteriorate the performance or reliability of the products.
- Carefully select a flux cleaning agent for use after soldering. An unsuitable agent may deteriorate the performance or reliability. In particular, when using water or a water-soluble cleaning agent, be careful not to leave water residues. Otherwise, the insulation performance may be deteriorated.

(2) Precautions for storage

The performance of these products, including the solderability, is guaranteed for a year from the date of arrival at your company, provided that they remain packed as they were when delivered and stored at a temperature of 5 °C to 35 °C and a relative humidity of 45 % to 85 %.

The performance of Combinations(EMI Filters) is guaranteed for 6 months or a year from the outgoing inspection date indicated on the packages, provided that they are stored at a temperature of -5 °C to +40 °C and a relative humidity of 40 % to 60 %. Check the guarantee period in the specifications. The performance of Thermal Cutoffs is guaranteed for a year from the outgoing inspection date indicated on the packages, provided that they are stored at a temperature of -10 °C to +40 °C and a relative humidity of 30 % to 75 %.

Even within the above guarantee periods, do not store these products in the following conditions. Otherwise, their electrical performance and/or solderability may be deteriorated, and the packaging materials (e.g. taping materials) may be deformed or deteriorated, resulting in mounting failures.



1. In salty air or in air with a high concentration of corrosive gas, such as Cl₂, H₂S, NH₃, SO₂, or NO₂
2. In direct sunlight

<Package markings>

Package markings include the product number, quantity, and country of origin. In principle, the country of origin should be indicated in English.

Looking for pricing, stock, or lifecycle information?

Click below to explore more details on WIN SOURCE:

-  [View EXC-24CD900U on WIN SOURCE](#)
-  [Panasonic Information](#)

Optimize Your Supply Chain with WIN SOURCE Solutions

-  Global Sourcing Solution
-  Obsolete Management
-  Cost Control Management
-  Shortage Management
-  Alternative Solution
-  Excess Inventory Management