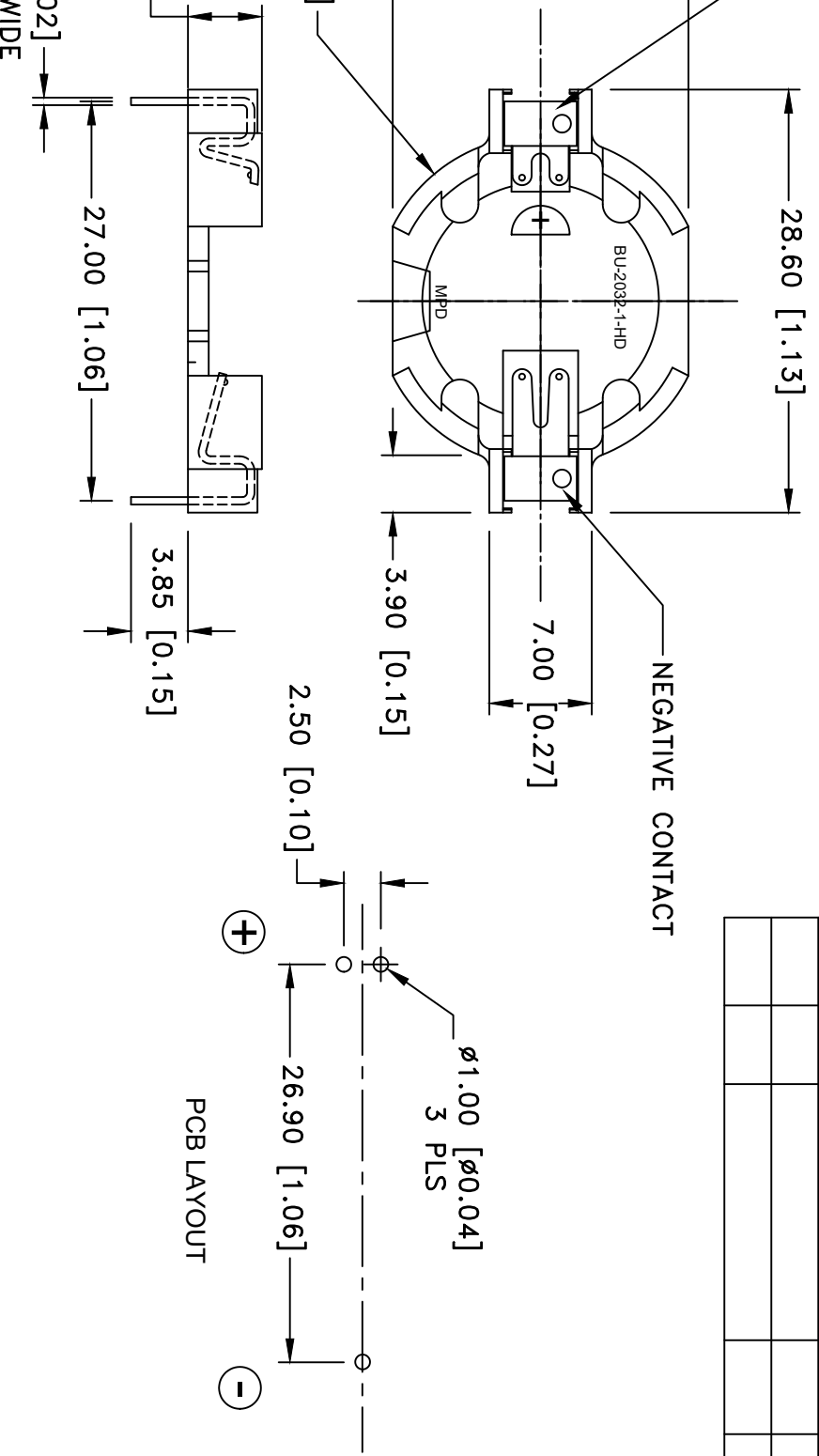




**THE DATASHEET OF  
BU2032-1-HD-G**



Date	SYM	REVISION RECORD	AUTH	DR. CK.
10/18/19	J	Added weight of the part	T.B.	B.S.



Part No. BU-2032-1-HD  
 Material: STAINLESS-STEEL  
 Finish: BLACK  
 Weight: 0.95g  
 Temperature: 20 ± 280°C

Test Method: MIL-STD-883C  
 Test Condition: D  
 Test Level: 1  
 Test Parameter: 1000 HOURS  
 Test Result: PASS  
 Test Date: 10/18/19

Tolerance (Except as noted)		MPD		Memory Protection Devices, Inc	
decimal ±.5 (.020)		200 Broad Hollow Road, Farmingdale, New York 11735		Scale	
Fractional ± .8 (.030)		Title		Drawn By B.S.	
Angular ± 3°		HIGH GRIP BATTERY HOLDER FOR CR2032 WITH PC PINS		Approved By T.B.	
Date		Drawing Number			
10/18/19		BU2032-1-HD-G			

## Looking for pricing, stock, or lifecycle information?

Click below to explore more details on WIN SOURCE:

- [View BU2032-1-HD-G on WIN SOURCE](#)
- [MPD \(Memory Protection Devices\) Information](#)

## Optimize Your Supply Chain with WIN SOURCE Solutions

- ✓ Global Sourcing Solution
- ✓ Obsolete Management
- ✓ Cost Control Management
- ✓ Shortage Management
- ✓ Alternative Solution
- ✓ Excess Inventory Management