



**THE DATASHEET OF
JN418-212-C**



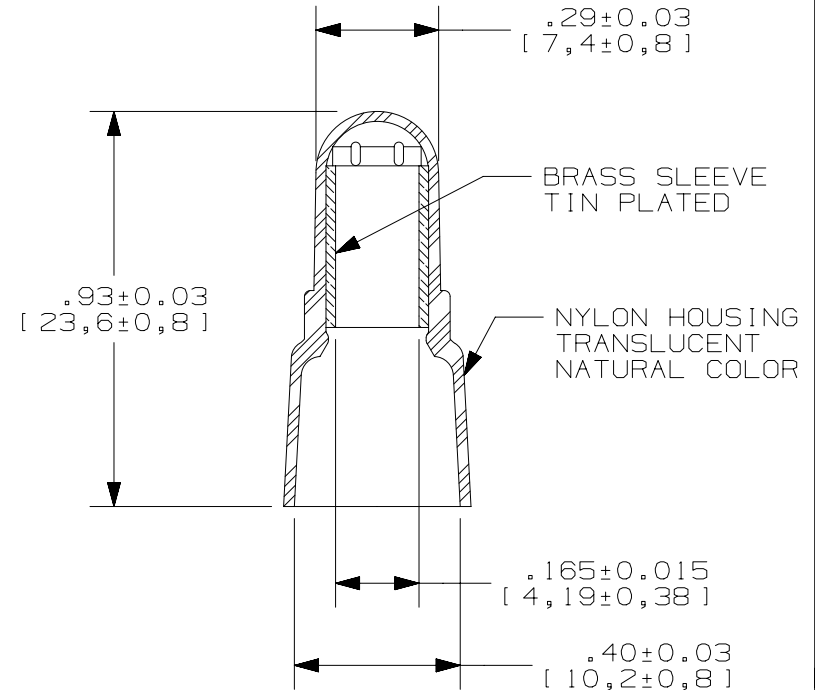
THIS COPY IS PROVIDED ON A RESTRICTED BASIS AND IS NOT TO BE USED IN ANY WAY DETRIMENTAL TO THE INTERESTS OF PANDUIT CORP.

WIRE SIZE	NUMBER OF WIRES	NUMBER OF ADDITIONAL WIRES OF ONE SIZE			
		#18 AWG [1,0 mm ²]	#16 AWG [1,5 mm ²]	#14 AWG [2,5 mm ²]	#12 AWG [4,0 mm ²]
#18 AWG [1,0 mm ²]	1	3-6	2-5	2-3	1
	2	2-5	2-4	1-2	1
	3	1-4	1-3	1-2	1
	4	1-3	1-3	1-2	1
	5	1-2	1-2	1	0
	6	1	1	1	0
#16 AWG [1,5 mm ²]	1	3-6	2-4	1-2	1
	2	1-5	1-3	1-2	1
	3	1-4	1-2	1	1
	4	1-2	1	1	0
	5	1	0	0	0
#14 AWG [2,5 mm ²]	1	2-6	1-4	1-2	1
	2	1-4	1-2	1	1
	3	1	0	0	0
#12 AWG [4,0 mm ²]	1	1-4	1-3	1-2	1
* #10 AWG [6,0 mm ²]	1	1-2	1	1	0

*COMBINATIONS WITH #10AWG ARE NOT UL/CSA

NOTES:

- UL LISTED AND CSA CERTIFIED FOR:
 - SOLID OR STRANDED COPPER WIRE #18AWG - #12AWG
 - 221°F [105°C] MAX. OPERATING TEMPERATURE
 - 600V. MAX. BLDG WIRE (1000 V. MAX. IN SIGNS, FIXTURES & LUMINAIRES)
 - SEE CHART FOR WIRE COMBINATIONS
- INSTALLATION TOOLS:
 - UL LISTED AND CSA CERTIFIED: CT-100A, CT-1550, CT-1551, CT-2400, CT-2500 (CT-2550CH), CT-600-A (CT-550CH)
 - PANDUIT APPROVED: CT-160, CT-260, CT-400, CT-460
- WIRE STRIP LENGTH: 1/2" ^{+1/32}₋₀ [12,7mm ^{+0,8}₋₀]
- SEE www.panduit.com FOR PACKAGE QUANTITIES, INDICATED BY PART NUMBER SUFFIX
- DIMENSIONS IN BRACKETS ARE METRIC EQUIVALENT
- TWIST ENDS OF STRIPPED WIRE TOGETHER BEFORE INSERTING INTO WIRE JOINT



LISTED
587H
E52164




CERTIFIED
LR31212

TITLE		NYLON INSULATED WIRE JOINT JN418-212		
ITEM REVISION NAME		CUSTOMER DRAWING		
DATASET FILE NAME		N41343BA_08		
UNLESS OTHERWISE SPECIFIED, DIMENSIONAL TOLERANCES ARE: IN [mm]				
.x ± .1 [2.54]		.xxx ± .005 [.127]		
.xx ± .03 [.76]		ANGLES ± 5 °		
DRAWING NUMBER:		SEE NOTES		
DRAWING NUMBER:		A41343		
REV	DATE	BY	CHK	APR
08	05.11.15	TMR	TMR	RGB
07	07.19.12	BDK	LCA	VMB
DESCRIPTION		ECN		
SLEEVE ID WAS .170, ADDED TOLERANCES TO DIMENSIONS		N41343BA-DC		
ADDED METRIC EQUIVALENTS. REVISED INSTALLATION TOOLS NOTE. BROUGHT DRAWING TO CURRENT STANDARDS.		N41343BA-DC		
DAW	-	CHK	SCALE	N.T.S.
SHEET 1 OF 1		A		

D101000DA/12

Looking for pricing, stock, or lifecycle information?

Click below to explore more details on WIN SOURCE:

 [View JN418-212-C on WIN SOURCE](#)

 [Panduit Corp Information](#)

Optimize Your Supply Chain with WIN SOURCE Solutions

-  Global Sourcing Solution
-  Obsolete Management
-  Cost Control Management
-  Shortage Management
-  Alternative Solution
-  Excess Inventory Management