



THE DATASHEET OF SS14



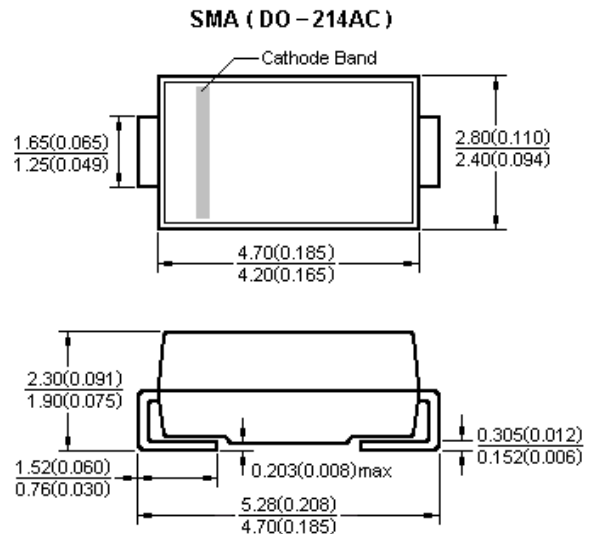
Surface Mount Schottky Rectifiers

Features

- Low profile package
- Ideal for automated placement
- Ultrafast reverse recovery time
- Low power losses, high efficiency
- Low forward voltage drop
- High surge capability
- High temperature soldering:
260°C/10 seconds at terminals

Mechanical Date

- **Case:** JEDEC DO-214AC molded plastic body over glass passivated chip
- **Terminals:** Solder plated, solderable per J-STD-002B and JESD22-B102D



Dimensions in millimeters and (inches)

Major Ratings and Characteristics

$I_{F(AV)}$	1.0A
V_{RRM}	20 V to 100 V
I_{FSM}	40A
V_F	0.50V, 0.55V, 0.70V, 0.85V
$T_j \text{ max.}$	125 °C

Maximum Ratings & Thermal Characteristics

($T_A = 25\text{ °C}$ unless otherwise noted)

Items	Symbol	SS12	SS13	SS14	SS15	SS16	SS18	SS110	UNIT
Maximum repetitive peak reverse voltage	V_{RRM}	20	30	40	50	60	80	100	V
Maximum RMS voltage	V_{RMS}	14	21	28	35	42	56	70	V
Maximum DC blocking voltage	V_{DC}	20	30	40	50	60	80	100	V
Maximum average forward rectified current	$I_{F(AV)}$	1.0							A
Peak forward surge current 8.3 ms single half sine-wave superimposed on rated load	I_{FSM}	40							A
Voltage rate of change (rated V_R)	dv/dt	10000							V/ μ s
Thermal resistance from junction to lead ⁽¹⁾	$R_{\theta JL}$	35							°C/W
Operating junction and storage temperature range	T_J, T_{STG}	-65 to +125							°C

Note 1: Mounted on P.C.B. with 0.2 x 0.2" (5.0 x 5.0mm) copper pad areas.

Electrical Characteristics ($T_A = 25\text{ °C}$ unless otherwise noted)

Items	Test conditions	Symbol	SS12	SS13~14	SS15~16	SS18~110	UNIT	
Instantaneous forward voltage	$I_F = 1.0A^{(2)}$	V_F	0.50	0.55	0.70	0.85	V	
Reverse current	$V_R = V_{DC}$	I_R	$T_A = 25\text{ °C}$				0.5	mA
			$T_A = 100\text{ °C}$				5	

Note 2: Pulse test: 300 μ s pulse width, 1% duty cycle.

Characteristic Curves ($T_A=25\text{ }^\circ\text{C}$ unless otherwise noted)

Fig.1 Forward Current Derating Curve

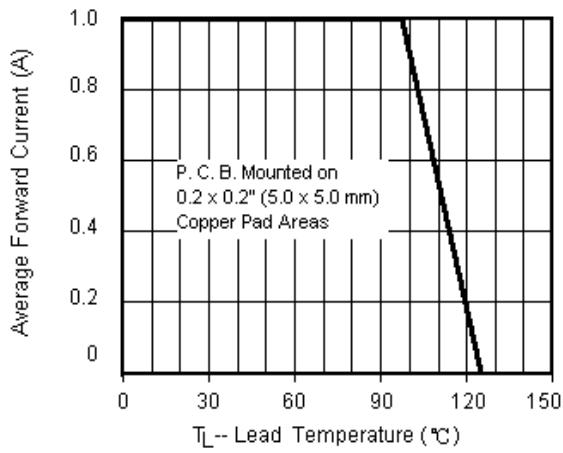


Fig.2 Maximum Non-Repetitive Peak Forward Surge Current

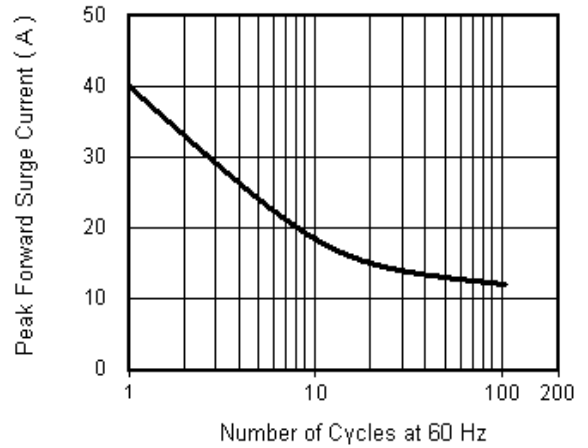


Fig.3 Typical Instantaneous Forward Characteristics

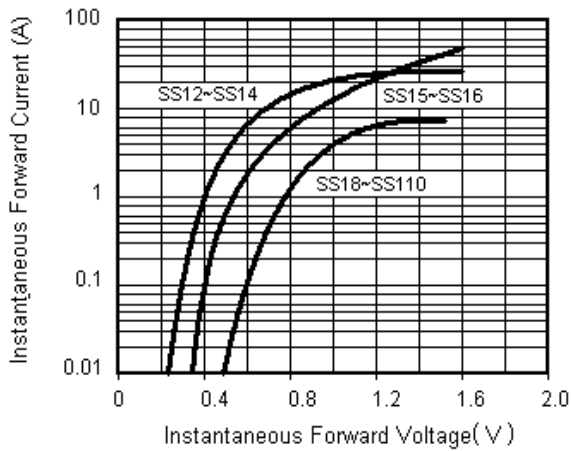
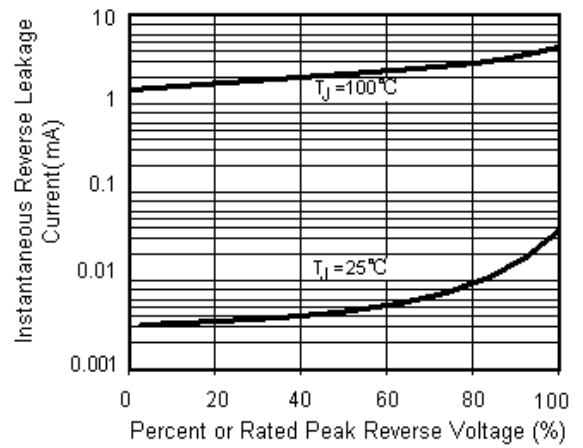


Fig.4 Typical Reverse Leakage Characteristics



Looking for pricing, stock, or lifecycle information?

Click below to explore more details on WIN SOURCE:

- [⊖ View SS14 on WIN SOURCE](#)
- [⊖ ShenZhen SikorMicro Semicon Co. Ltd Information](#)

Optimize Your Supply Chain with WIN SOURCE Solutions

- ✓ Global Sourcing Solution
- ✓ Obsolete Management
- ✓ Cost Control Management
- ✓ Shortage Management
- ✓ Alternative Solution
- ✓ Excess Inventory Management