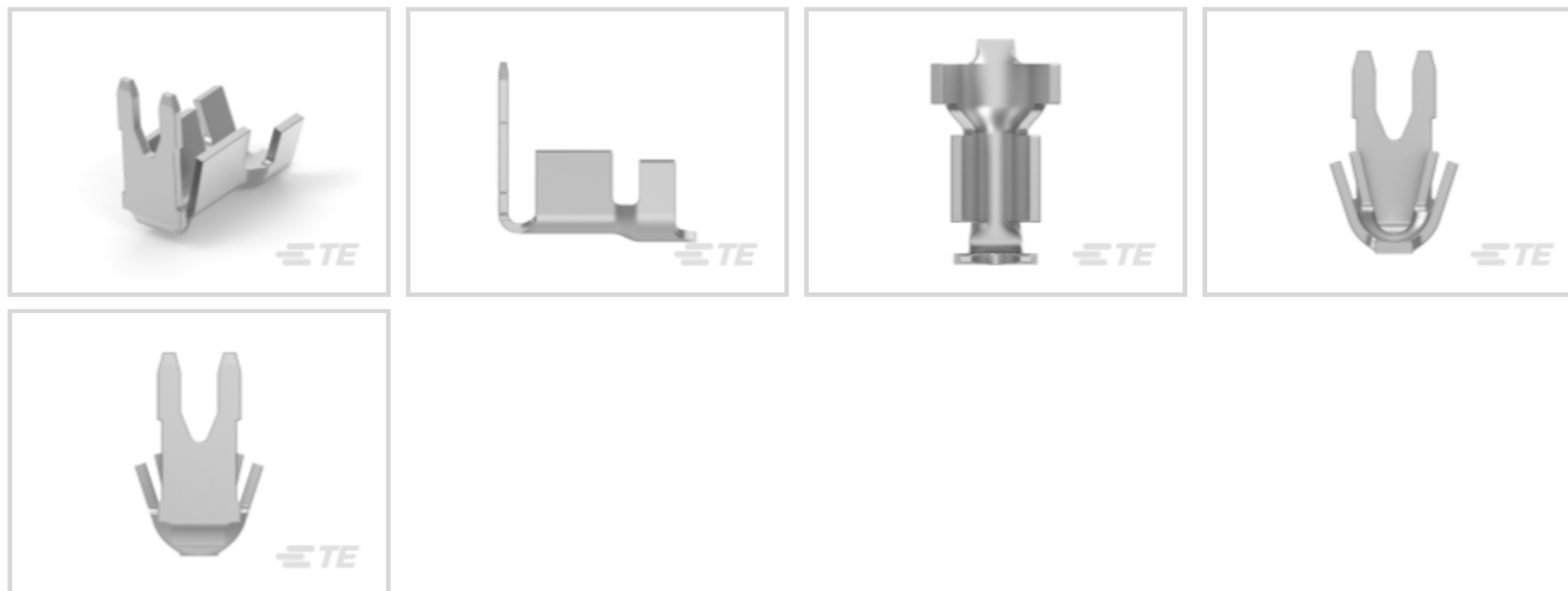


MAG-MATE

TE Internal #: 63218-1

Poke-In, 18 – 14 AWG Lead Wire, .8 – 2 mm² Lead Wire, Crimp /
Insulation Displacement (IDC), MAG-MATE, Magnet Wire Terminals[View on TE.com >](#)

Terminals & Splices > Magnet Wire Terminals

Magnet Wire Terminal Type: **Poke-In**Compatible Insulation Diameter (Max): **3.36 mm [.14 in]**Compatible Insulation Diameter Range: **2.29 – 3.36 mm [.09 – .14 in]**Lead Wire Size: **18 – 14 AWG****Features****Product Type Features**

Wire Insulation Support Retention Type	Insulation Support
Compatible With Discrete Wire Type	Magnet Wire, Solid

Contact Features

Crimp Type	F-Crimp
Magnet Wire Terminal Type	Poke-In
Terminal Plating Material	Tin
Terminal Orientation	Flag

Termination Features

Termination Method to Wire & Cable	Crimp, Insulation Displacement (IDC)
Crimp Area Length	8.2 mm[.323 in]

Mechanical Attachment

Wire Insulation Support	With
-------------------------	------

Dimensions

Terminal Height	7.11 mm[.28 in]
Compatible Insulation Diameter (Max)	3.36 mm[.14 in]



Compatible Insulation Diameter Range	2.29 – 3.36 mm [.09 – .14 in]
Lead Wire Size	18 – 14 AWG
Stock Thickness (Magnet Wire Side)	.46 mm [.018 in]
Product Length	3.43 mm [.135 in]

Usage Conditions

Insulation Option	Uninsulated
-------------------	-------------

Operation/Application

Compatible With Wire Base Material	Copper
------------------------------------	--------

Packaging Features

Packaging Quantity	8000
Packaging Method	Reel, Reel/Carton

Product Compliance

[For compliance documentation, visit the product page on TE.com>](#)

EU RoHS Directive 2011/65/EU	Compliant
EU ELV Directive 2000/53/EC	Compliant
China RoHS 2 Directive MIIT Order No 32, 2016	No Restricted Materials Above Threshold
EU REACH Regulation (EC) No. 1907/2006	Current ECHA Candidate List: JAN 2025 (247) Candidate List Declared Against: JAN 2025 (247) Does not contain REACH SVHC
Halogen Content	Low Halogen - Br, Cl, F, I < 900 ppm per homogenous material. Also BFR/CFR/PVC Free
Solder Process Capability	Not applicable for solder process capability

Product Compliance Disclaimer

This information is provided based on reasonable inquiry of our suppliers and represents our current actual knowledge based on the information they provided. This information is subject to change. The part numbers that TE has identified as EU RoHS compliant have a maximum concentration of 0.1% by weight in homogenous materials for lead, hexavalent chromium, mercury, PBB, PBDE, DBP, BBP, DEHP, DIBP, and 0.01% for cadmium, or qualify for an exemption to these limits as defined in the Annexes of Directive 2011/65/EU (RoHS2). Finished electrical and electronic equipment products will be CE marked as required by Directive 2011/65/EU. Components may not be CE marked. Additionally, the part numbers that TE has identified as EU ELV compliant have a maximum concentration of 0.1% by weight in homogenous materials for lead, hexavalent chromium, and mercury, and 0.01% for cadmium, or qualify for an exemption to these limits as defined in the Annexes of Directive 2000/53/EC (ELV). Regarding the REACH Regulation, the information TE provides on SVHC in articles for this part number is based on the latest European Chemicals Agency (ECHA) 'Guidance on requirements for substances in articles' posted at this URL: <https://echa.europa.eu/guidance-documents/guidance-on-reach>

Compatible Parts



TE Part # 1217214-1
TAB, POKE-IN, MAG-MATE




TE Part # 63364-1
MAG-MATE TAB 22-18 018PTPBR



TE Part # 62895-1
MAG-MATE POKE-IN TAB 018 TPBR



TE Part # 63775-1
TAB, MAG-MATE POKE-IN TPBR



TE Part # 5-62935-1
MAG-MATE TERM 27-23 016 TPBR



TE Part # 1599986-1
MAG MATE POKE-IN DUAL TAB



TE Part # 63410-1
MAG-MATE POKE IN TAB .020PTPBR



TE Part # 62896-1
MAG-MATE POKE-IN TAB 018 PTPBR



TE Part # 63458-1
MAG-MATE POKE-IN TAB 020 PTPBR



TE Part # 63397-1
MAG-MATE POKE-IN TAB 0198 TPBR




TE Part # 1217324-1
TAB POKE-IN MAG-MATE 18-14



TE Part # 2312000-1
TAB,POKE-IN,MAG-MATE

Also in the Series | **MAG-MATE**



Insertion & Extraction Tools(6)

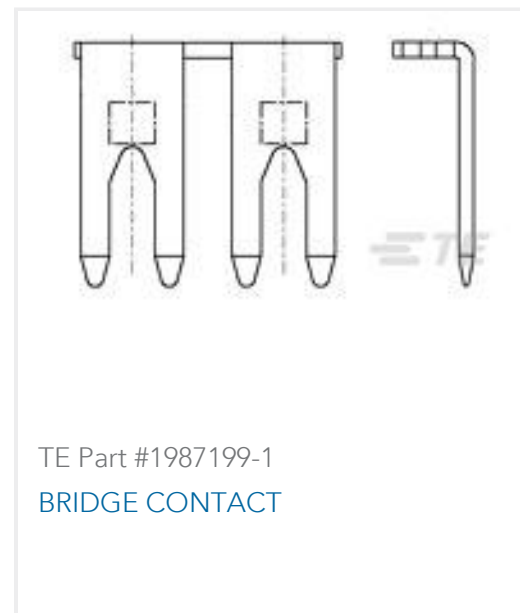


Magnet Wire Terminals(329)



PCB Terminals(1)

Customers Also Bought



Documents

Product Drawings

MAG-MATE POKE-IN TAB 018PTPBR

English

CAD Files

3D PDF

3D

Customer View Model

[ENG_CVM_CVM_63218-1_J.2d_dxf.zip](#)

English

Customer View Model

[ENG_CVM_CVM_63218-1_J.3d_igs.zip](#)

English

Customer View Model

[ENG_CVM_CVM_63218-1_J.3d_stp.zip](#)

English

By downloading the CAD file I accept and agree to the [Terms and Conditions](#) of use.

Datasheets & Catalog Pages



Magnet Wire Terminals & Splices

English

Product Specifications

Application Specification

English

Agency Approvals

UL Report

English

Looking for pricing, stock, or lifecycle information?

Click below to explore more details on WIN SOURCE:

[View 63218-1 on WIN SOURCE](#)

[TE Connectivity Information](#)

Optimize Your Supply Chain with WIN SOURCE Solutions

- ✓ Global Sourcing Solution
- ✓ Obsolete Management
- ✓ Cost Control Management
- ✓ Shortage Management
- ✓ Alternative Solution
- ✓ Excess Inventory Management