

WIN**SOURCE**
ELECTRONICS

THE DATASHEET OF
62998-2





Product Terminates To	Wire & Cable
-----------------------	--------------

Mechanical Attachment

Wire Insulation Support	With
Mating Retention Type	Dimple

Dimensions

Product Length	19.69 mm[.775 in]
Compatible Insulation Diameter Range	5.84 – 7.11 mm[.23 – .28 in]
Terminal Material Thickness	.43 mm[.017 in]
Wire Size	5 – 8 mm ²

Usage Conditions

Insulation Option	Uninsulated
Operating Temperature Range	-40 – 110 °C[-40 – 230 °F]

Packaging Features

Packaging Quantity	15000
Packaging Method	Strip/Reel

Other

Line	Premier
------	---------

Product Compliance

[For compliance documentation, visit the product page on TE.com>](#)

EU RoHS Directive 2011/65/EU	Compliant
EU ELV Directive 2000/53/EC	Compliant
China RoHS 2 Directive MIIT Order No 32, 2016	No Restricted Materials Above Threshold
EU REACH Regulation (EC) No. 1907/2006	Current ECHA Candidate List: JAN 2025 (247) Candidate List Declared Against: JAN 2025 (247) Does not contain REACH SVHC
Halogen Content	Low Halogen - Br, Cl, F, I < 900 ppm per homogenous material. Also BFR/CFR/PVC Free
Solder Process Capability	Not applicable for solder process capability

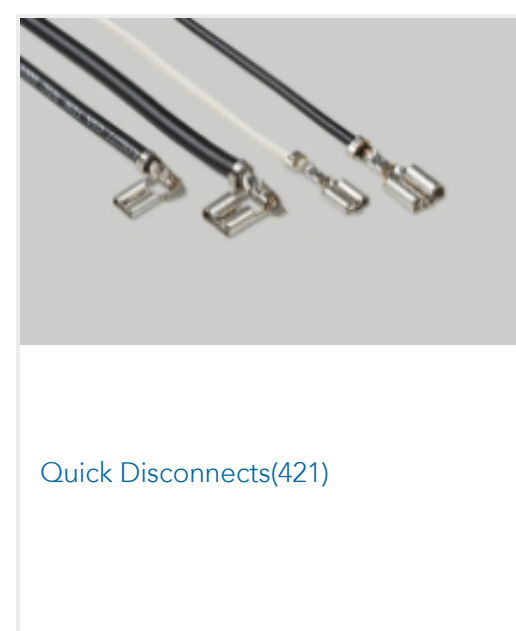
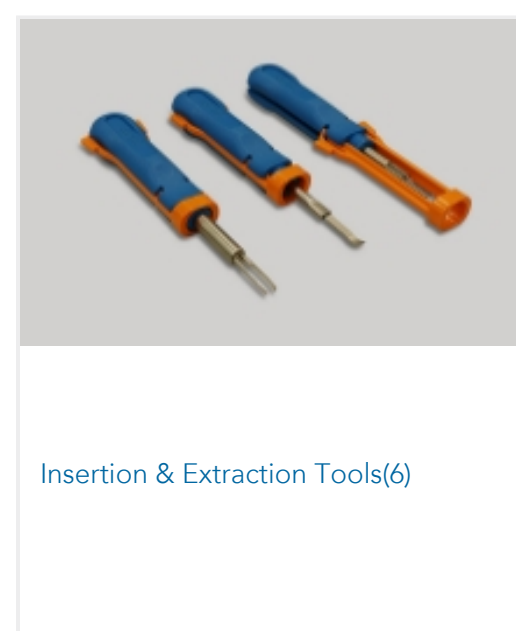
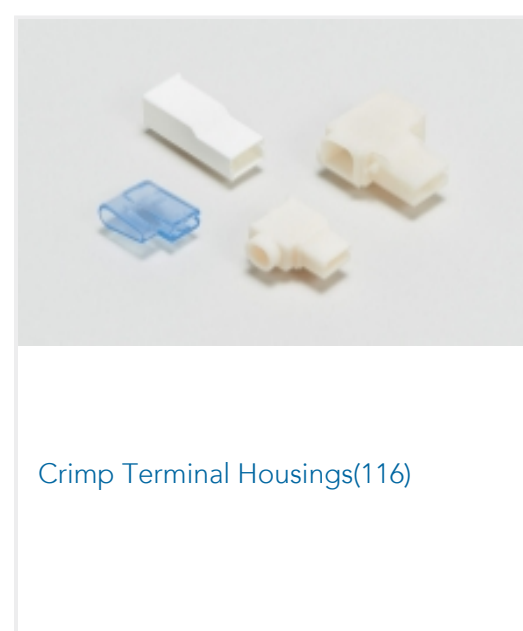
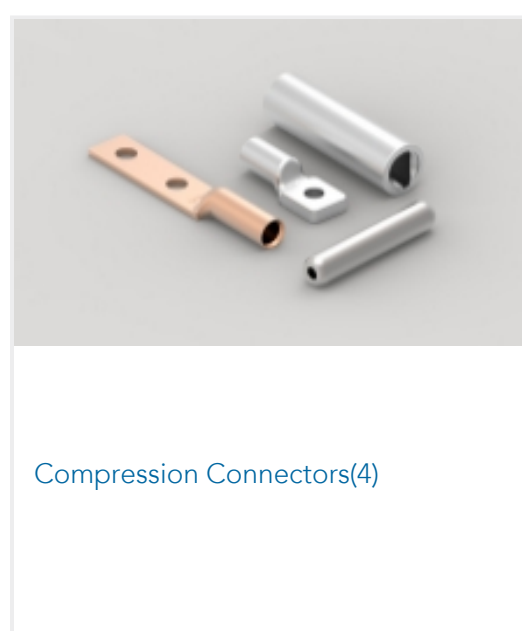
Product Compliance Disclaimer

This information is provided based on reasonable inquiry of our suppliers and represents our current actual knowledge based on the information they provided. This information is subject to change. The part numbers that TE has identified as EU RoHS compliant have a maximum concentration of 0.1% by weight in homogenous materials for lead, hexavalent chromium, mercury, PBB, PBDE, DBP, BBP, DEHP, DIBP, and 0.01% for cadmium, or qualify for an exemption to these limits as defined in the Annexes of Directive 2011/65/EU (RoHS2). Finished electrical and electronic equipment products will be CE marked as required by Directive 2011/65/EU. Components may not be CE marked. Additionally, the part numbers that TE has identified as EU ELV compliant have a maximum concentration of 0.1% by weight in homogenous materials for lead, hexavalent chromium, and mercury, and 0.01% for cadmium, or qualify for an exemption to these limits as defined in the Annexes of Directive 2000/53/EC (ELV). Regarding the REACH Regulation, the information TE provides on SVHC in articles for this part number is based on the latest European Chemicals Agency (ECHA) 'Guidance on requirements for substances in articles' posted at this URL: <https://echa.europa.eu/guidance-documents/guidance-on-reach>

Compatible Parts



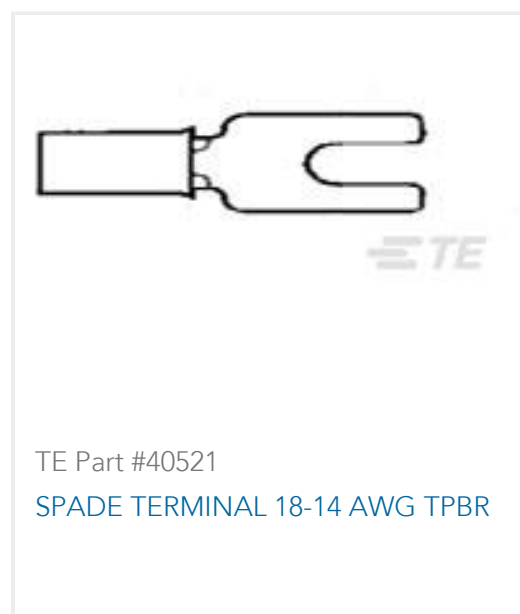
Also in the Series | FASTON 250



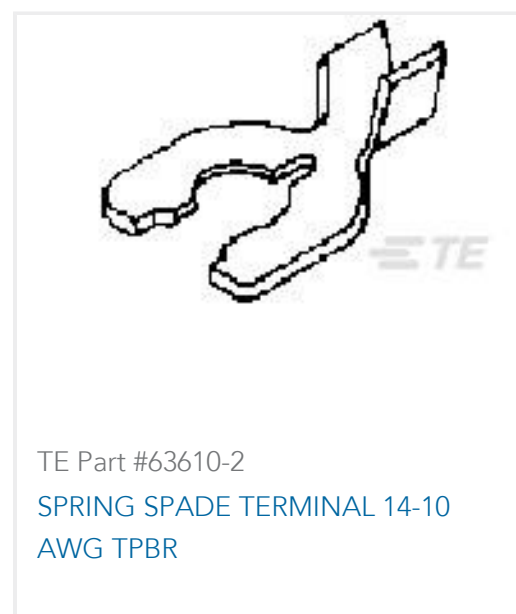
Customers Also Bought



TE Part #936619-2
MCP 9.5MM PLUG 2P ASSY BLK



TE Part #40521
SPADE TERMINAL 18-14 AWG TPBR



TE Part #63610-2
SPRING SPADE TERMINAL 14-10 AWG TPBR



TE Part #640254-1
KEYING PLUG .045 SQ PST CONN



TE Part #521217-2
ULTRA-POD 250 ASSY TAB 18-14 AWG TPBR



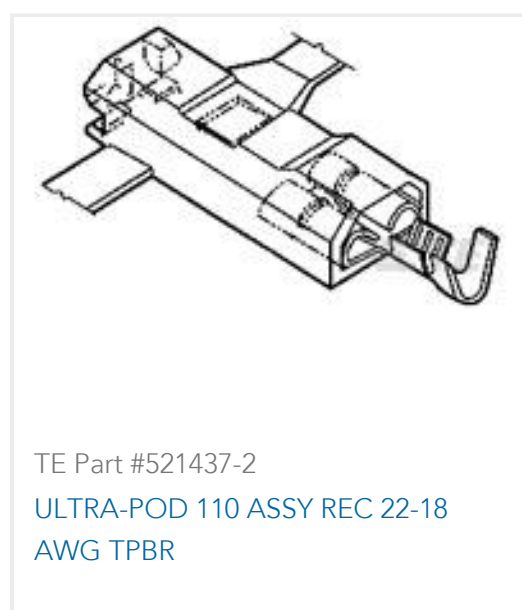
TE Part #41449
250 FASTON REC 14-10 AWG BR



TE Part #1742539-3
CLUSTER BLOCK RECEP,TPCuFeP



TE Part #63306-2
250 FASTON REC 18-14 AWG TPBR



TE Part #521437-2
ULTRA-POD 110 ASSY REC 22-18 AWG TPBR



TE Part #520935-9
PL&STANDARD FASTON 250 HOUSING REC BLA

Documents

Product Drawings

[250 FSATON REC 10-8 AWG TPBR](#)

English

CAD Files

Customer View Model

[ENG_CVM_CVM_62998-2_W.2d_dxf.zip](#)

English

3D PDF

3D

Customer View Model

[ENG_CVM_CVM_62998-2_W.3d_igs.zip](#)

English

Customer View Model

[ENG_CVM_CVM_62998-2_W.3d_stp.zip](#)

English

By downloading the CAD file I accept and agree to the [Terms and Conditions](#) of use.

Datasheets & Catalog Pages



82004 FASTON Terminals (Insulated and Uninsulated) Catalog - FASTON Receptacles Section

English

Product Specifications

Engineering Report

English

Looking for pricing, stock, or lifecycle information?

Click below to explore more details on WIN SOURCE:

[View 62998-2 on WIN SOURCE](#)

[TE Connectivity Information](#)

Optimize Your Supply Chain with WIN SOURCE Solutions

- ✓ Global Sourcing Solution
- ✓ Obsolete Management
- ✓ Cost Control Management
- ✓ Shortage Management
- ✓ Alternative Solution
- ✓ Excess Inventory Management