

1

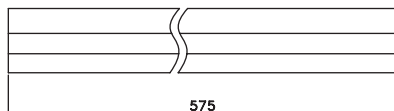
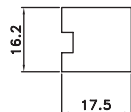
2

3

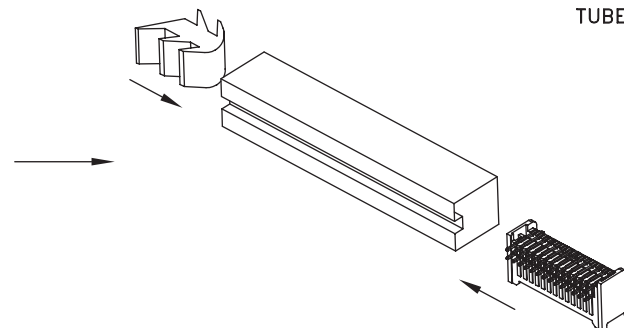
4

5

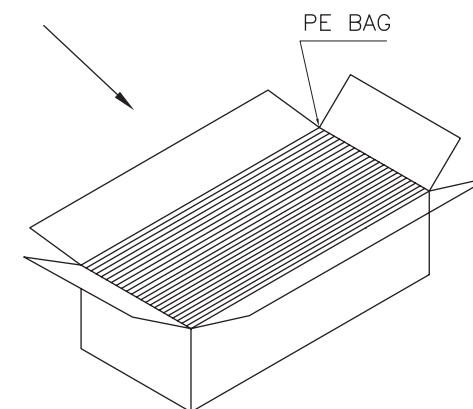
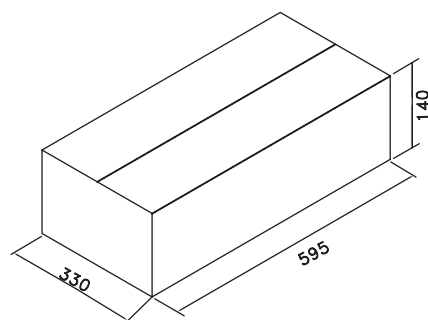
TUBE



TUBE PACKING



CARTON PACKING



136TUBES/1CARTON

Poles	TUBE Quantity (pcs)	CARTON Quantity (pcs)	Poles	TUBE Quantity (pcs)	CARTON Quantity (pcs)	Poles	TUBE Quantity (pcs)	CARTON Quantity (pcs)
4x2	47	6392	10x2	23	3128	16x2	15	2040
5x2	40	5440	11x2	21	2856	17x2	14	1904
6x2	35	4760	12x2	20	2720	18x2	13	1768
7x2	31	4216	13x2	18	2448	19x2	13	1768
8x2	27	3672	14x2	17	2312	20x2	12	1632
9x2	25	3400	15x2	16	2176			

G			
F			
E			
D			
C			
B			
A			
REV	DATE	FILE	BY

PROJECTION:	GENERAL TOLERANCE
	.X = +/- 0.2 .XX = +/- 0.15
APPROVAL: BBu	UNIT: MM
	SCALE:
	SHEET: 2/3
	DRAW: MIKE

	DESCRIPTION: 2.00MM MALE DUAL ROWS HORIZONTAL SHROUDED HEADER
	WERI PART NO: 624 0xx 217 22

SIZE
A4

A

B

C

D

1

2

3

4

5

Cautions and Warnings:

This electronic component is designed and developed with the intention for use in general electronics equipments.

Before incorporating the components into any equipments in the field such as aerospace, aviation, nuclear control, submarine, transportation, (automotive control, train control, ship control), transportation signal, disaster prevention, medical, public information network etc. where higher safety and reliability are especially required or if there is possibility of direct damage or injury to human body, Würth Elektronik must be asked for a written approval.

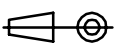

In addition, even electronic component in general electronic equipments, when used in electrical circuits that require high safety, reliability functions or performance, the sufficient reliability evaluation-check for the safety must be performed before by the user before usage.

A

B

C

RoHS Compliant

G				PROJECTION: 	GENERAL TOLERANCE .X = +/- 0.2 .XX = +/- 0.15		
F							
E							
D							
C				APPROVAL: JC	UNIT: MM	DESCRIPTION: DISCLAIMER	SIZE A4
B					SCALE:		
A	10-SEP-14	PDF	QL		SHEET: 3/3	WERI PART NO: DISCLAIMER	
REV	DATE	FILE	BY		DRAW: QL		

D

Looking for pricing, stock, or lifecycle information?

Click below to explore more details on WIN SOURCE:

 [View 62401021722 on WIN SOURCE](#)

 [Wurth Electronics Inc](#) Information

Optimize Your Supply Chain with WIN SOURCE Solutions

-  Global Sourcing Solution
-  Obsolete Management
-  Cost Control Management
-  Shortage Management
-  Alternative Solution
-  Excess Inventory Management