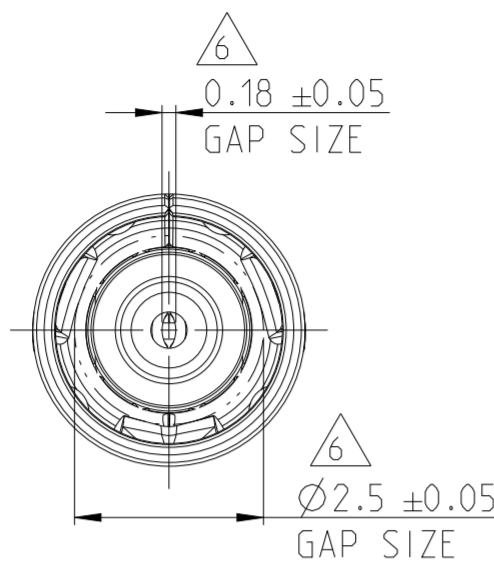




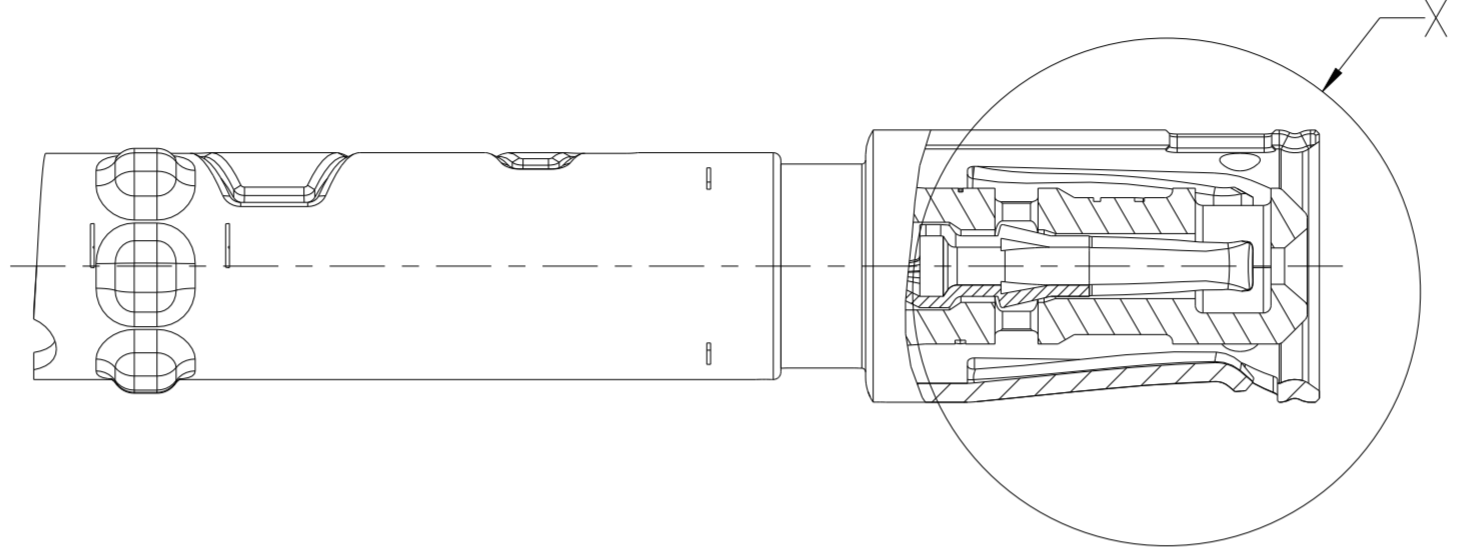
**THE DATASHEET OF**  
**2298509-1**



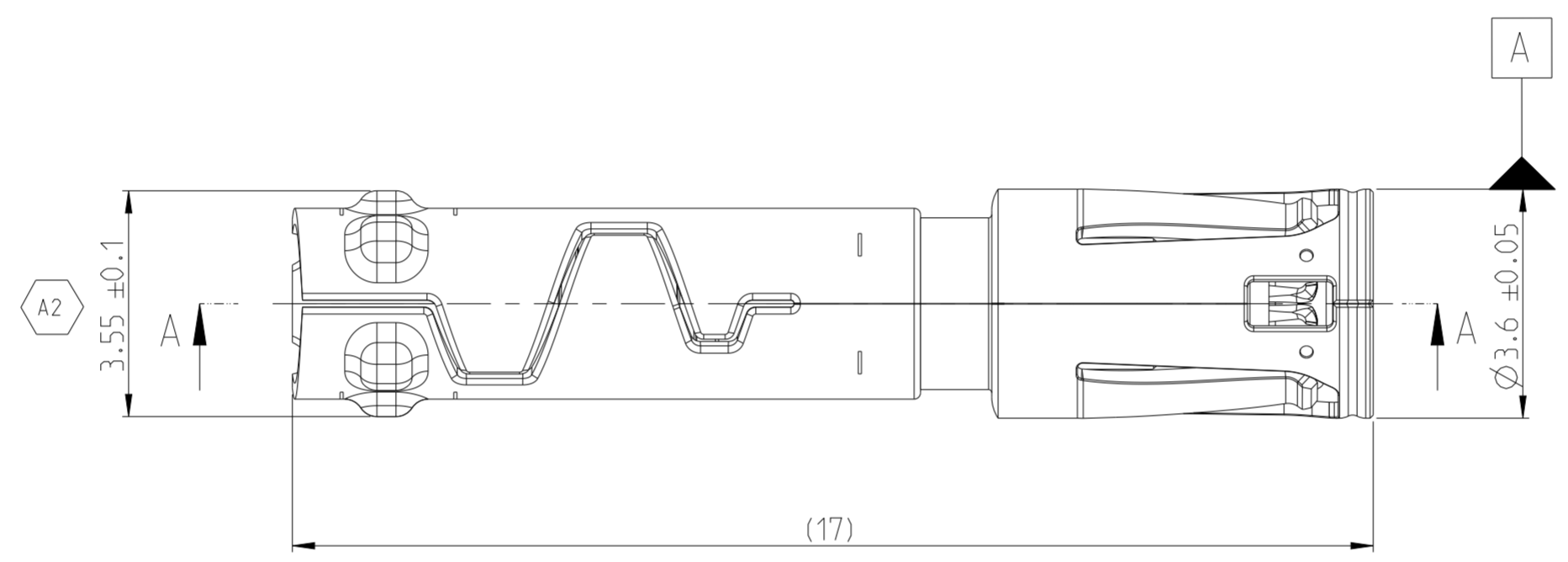
REVISIONS					
P	LTR	DESCRIPTION	DATE	DWN	APVD
-	-	SEE SHEET 1	-	-	-



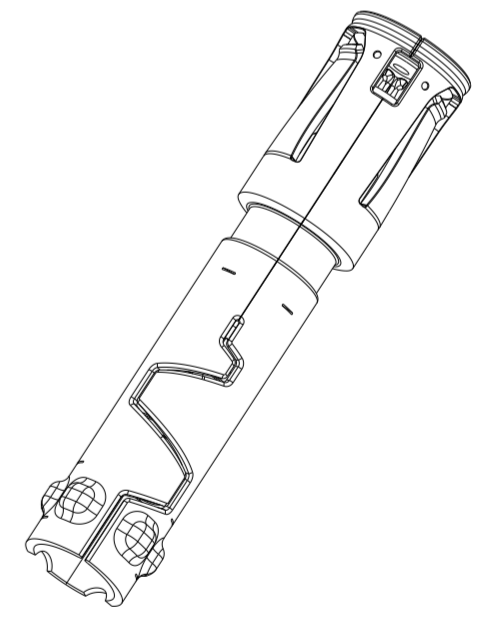
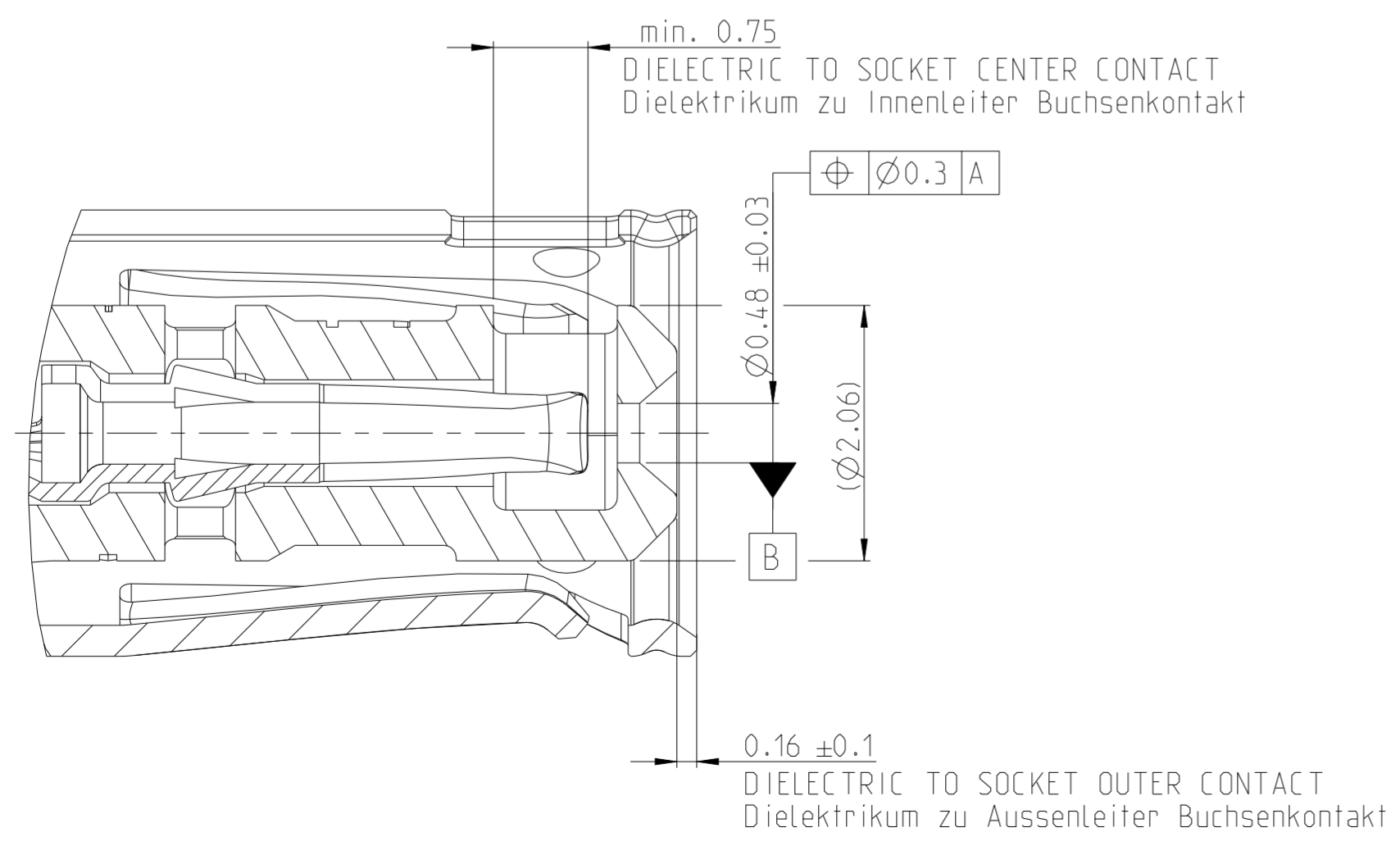
SECTION A-A



6 VALID WHEN CHECKING THE GAP SIZES ON FINAL PRODUCT  
 Gütig bei Überprüfung des Spaltmaßes nach Konfektion



DETAIL X  
20:1



5:1

THIS DRAWING IS A CONTROLLED DOCUMENT.		DWN K.Weinberger 29SEP2017	TE Connectivity	
DIMENSIONS: mm		CHK G.v.d.Burgl 29SEP2017		
TOLERANCES UNLESS OTHERWISE SPECIFIED:		APVD C.Schrettlinger 29SEP2017	NAME MATE-AX 180DEG SOCKET CONTACT, ASSY MATE-AX 180Grad Buchsenkontakt, Assy CABLE RG174	
0 PLC ±0.2 1 PLC ±0.1 2 PLC ±0.1 3 PLC ± 4 PLC ±		PRODUCT SPEC 108-94515	SIZE A2	CAGE CODE 00779
MATERIAL -		FINISH -	DRAWING NO C-2298510	RESTRICTED TO -
-		WEIGHT -	SCALE 10:1	SHEET 2 OF 2
-		CUSTOMER DRAWING	REV A4	

## Looking for pricing, stock, or lifecycle information?

Click below to explore more details on WIN SOURCE:

 [View 2298509-1](#) on WIN SOURCE

 [TE Connectivity](#) Information

## Optimize Your Supply Chain with WIN SOURCE Solutions

-  Global Sourcing Solution
-  Obsolete Management
-  Cost Control Management
-  Shortage Management
-  Alternative Solution
-  Excess Inventory Management