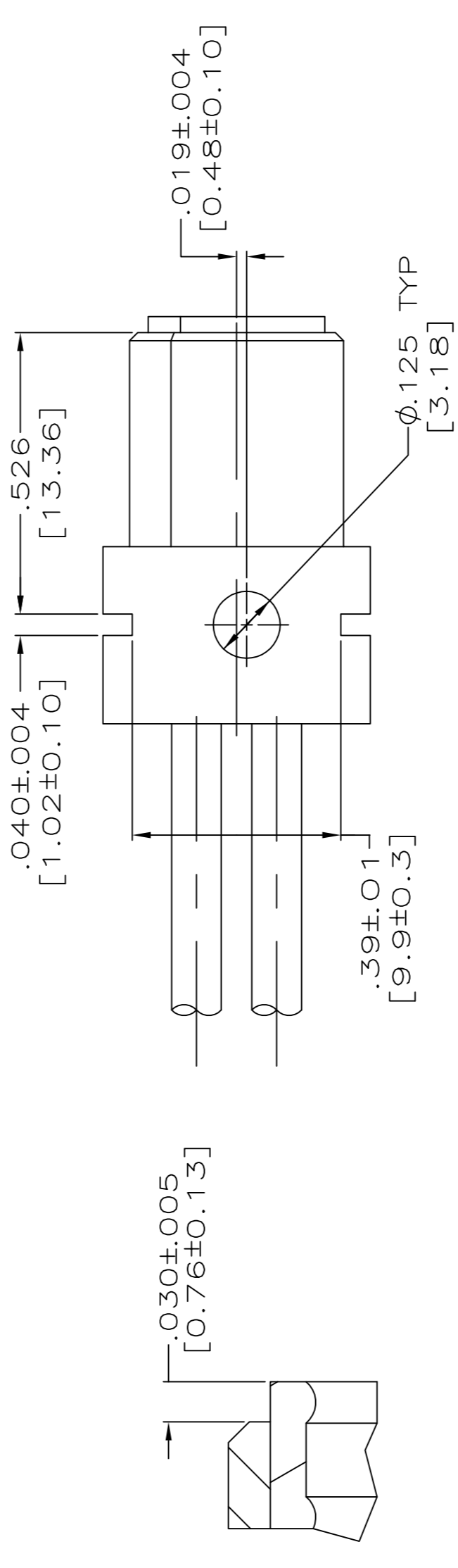
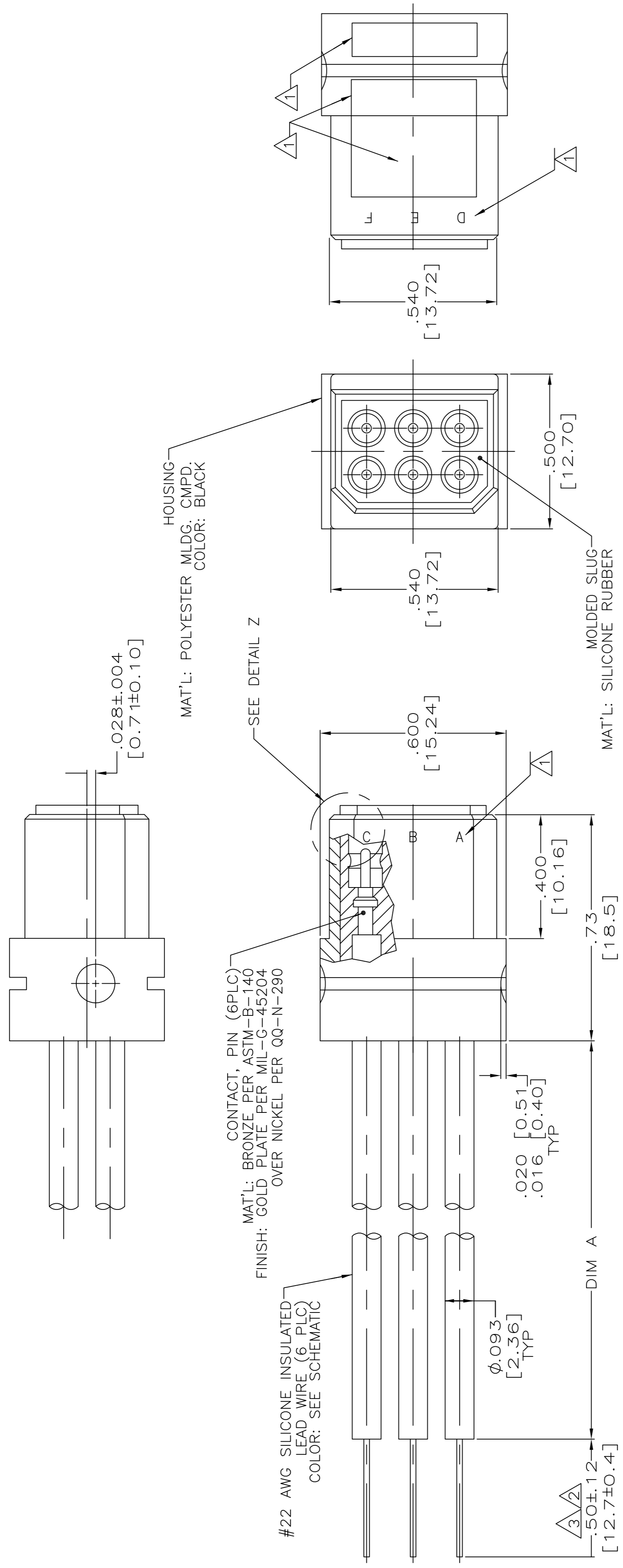




THE DATASHEET OF
867622-2





DETAIL Z
SCALE 10:1

A	YELLOW
B	RED
C	BROWN
D	BLUE
E	GREEN
F	BLACK

SCHEMATIC

- 1 AMP INFORMATION MARKED PER MIL-STD-130.
- 2 PIGTAILS ARE SOLDER-DIPPED.
- 3 INSULATION CUT, BUT NOT REMOVED.

3	15.00±.50 [381.0±12.7]	5-867622-1
2	24.00±.50 [609.6±12.7]	867622-2
2	15.00±.50 [381.0±12.7]	867622-1
REMARKS	DIM A	PART NUMBER
PLUG ASSY WITH FLYING LEADS, 6 POSN., LCH		
SIZE	DATE CODE	DRAWING NO
A1	100779	867622
WEIGHT	SCALE	SHEET
—	4:1	1 OF 1
CUSTOMER DRAWING	REV	J

THIS DRAWING IS A CONTROLLED DOCUMENT. DIMENSIONS IN INCHES FINISHES SEE CALLOUTS	DIMENSIONS IN MILLIMETERS FINISHES SEE CALLOUTS	DIMENSIONS IN MILLIMETERS FINISHES SEE CALLOUTS
DIMENSIONS IN INCHES FINISHES SEE CALLOUTS	DIMENSIONS IN MILLIMETERS FINISHES SEE CALLOUTS	DIMENSIONS IN MILLIMETERS FINISHES SEE CALLOUTS
DIMENSIONS IN INCHES FINISHES SEE CALLOUTS	DIMENSIONS IN MILLIMETERS FINISHES SEE CALLOUTS	DIMENSIONS IN MILLIMETERS FINISHES SEE CALLOUTS

Looking for pricing, stock, or lifecycle information?

Click below to explore more details on WIN SOURCE:

- [View 867622-2 on WIN SOURCE](#)
- [TE Connectivity Information](#)

Optimize Your Supply Chain with WIN SOURCE Solutions

- ✓ Global Sourcing Solution
- ✓ Obsolete Management
- ✓ Cost Control Management
- ✓ Shortage Management
- ✓ Alternative Solution
- ✓ Excess Inventory Management