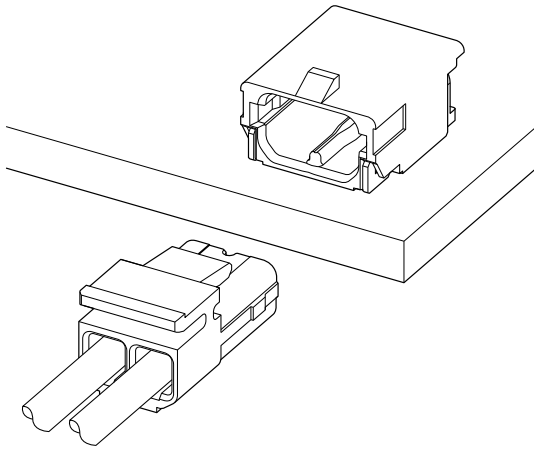


# SFK CONNECTOR

1.8mm pitch/Disconnectable Crimp style connectors



This SFK connector is a wire-to-board connector for connecting power supply and PCB and withstands high voltage. It is used for power supply of LED backlight in Liquid Crystal Display Television set.

- Withstand high voltage
- Secure locking structure
- Halogen-free

## Specifications

- Current rating: 4 A AC, DC (AWG #22)
- Voltage rating: 350 V AC, DC
- Temperature range: -25°C to +85°C  
(including temperature rise in applying electrical current)
- Contact resistance: Initial value/ 10 mΩ max.  
After environmental tests/ 20 mΩ max.
- Insulation resistance: 1,000 MΩ min.
- Withstanding voltage: 1,700 VAC/minute
- Applicable wire: Conductor size/ AWG #30 to #22  
Insulation O.D./ 0.7 to 1.3 mm

\* Refer to "General Instruction and Notice when using Terminals and Connectors" at the end of this catalog.

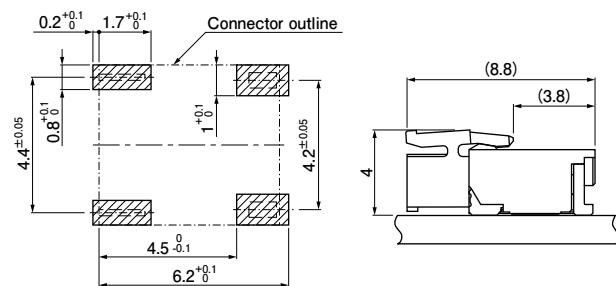
\* Contact JST for details.

\* Compliant with RoHS.

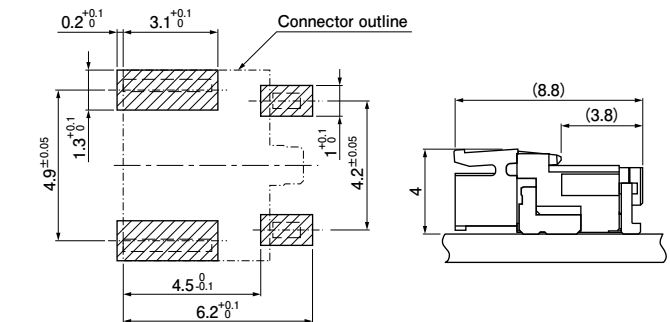
## Standards

Recognized E60389

## PC board layout and Assembly layout



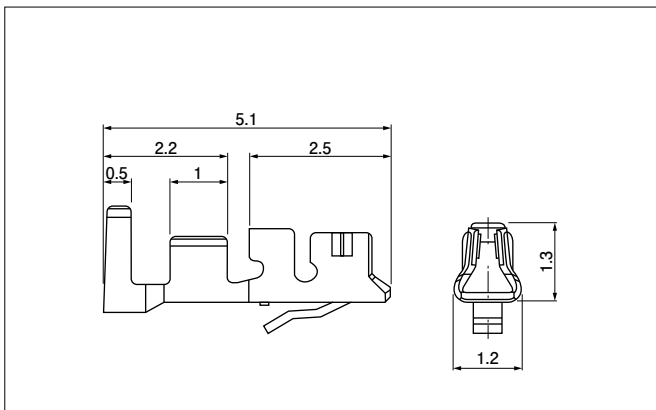
### ● B type



Note: 1. The above figure is the figure viewed from the connector mounting side.

2. Tolerances are non-cumulative: ± 0.05 mm for all centers. The dimensions above should serve as a guideline. Contact JST for details.

## Contact



Model No.	Applicable wire		Insulation O.D. (mm)	Q'ty/reel
	mm <sup>2</sup>	AWG#		
SSFH-001T-P0.5	0.13 to 0.33	26 to 22	0.95 to 1.3	15,000
SSFH-002T-P0.5	0.05 to 0.13	30 to 26	0.7 to 1.25	15,000

### Material

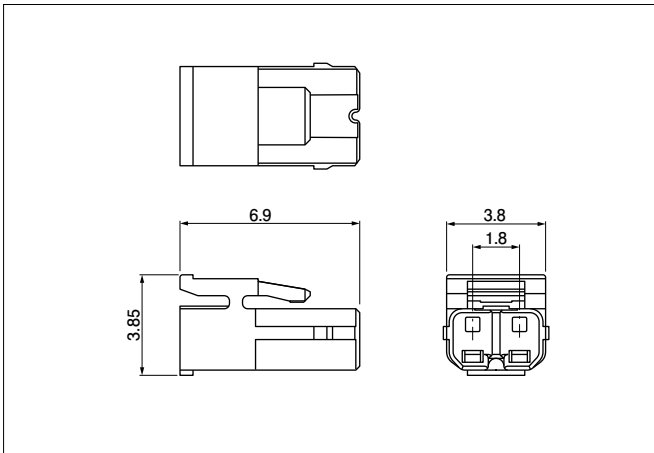
Copper alloy, tin-plated (reflow treatment)

### RoHS compliance

Contact	Crimping machine	Applicator		
		Crimp applicator	Dies	Crimp applicator with dies
SSFH-001T-P0.5	AP-K2N	MKS-L	MK/SSFH-001-05	APLMK SSFH001-05
		—	—	—
SSFH-002T-P0.5	—	MKS-L	MK/SSFH-002-05	APLMK SSFH002-05
		—	—	—

Note: Contact JST for fully automatic crimping applicator.

## Housing

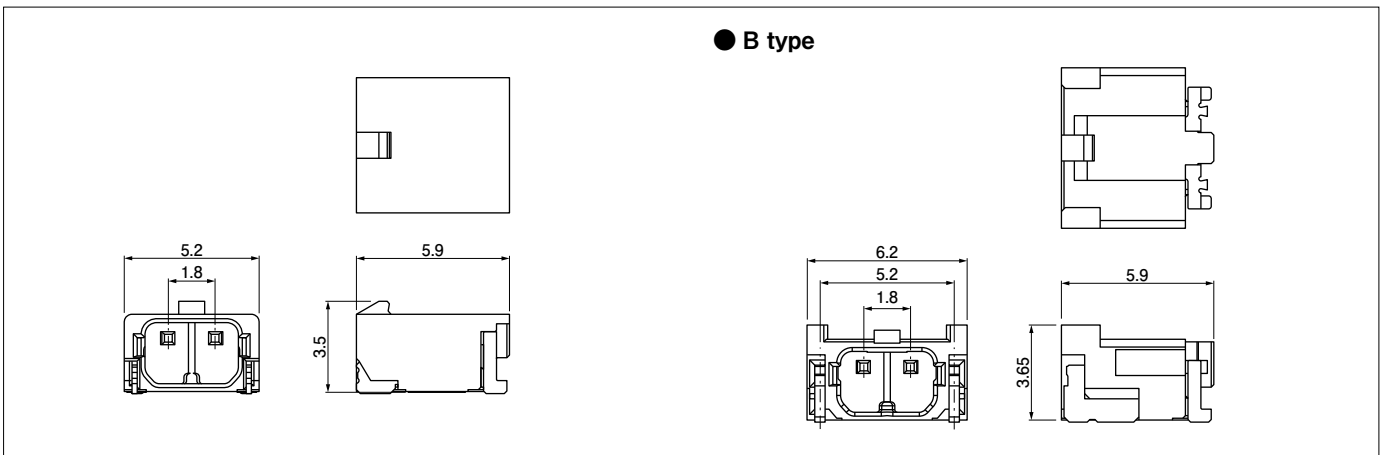


No. of circuits	Model No.	Q'ty/bag
2	SFKR-02V-S	2,000

Material
PA 66, UL94V-0, natural (white)

RoHS compliance

## Header



● B type

No. of circuits	Model No.	Q'ty/reel
2	SM02B-SFKH-TF	3,000

Material and Finish
Press pin: Brass, copper-undercoated, tin-plated (reflow treatment) Wafer: PA 6T, UL94V-0, gray Solder tail: Brass, copper-undercoated, tin-plated (reflow treatment)

RoHS compliance

Note: The product listed above is supplied on embossed-tape.

● B type

No. of circuits	Model No.	Q'ty/reel
2	SM02B-SFKBS3-TF	3,000

Material and Finish
Press pin: Brass, copper-undercoated, tin-plated (reflow treatment) Wafer: PA 4T, UL94V-0, natural Solder tail: Brass, copper-undercoated, tin-plated (reflow treatment)

RoHS compliance

Note: The product listed above is supplied on embossed-tape.

# SFK CONNECTOR

## Model number allocation

### Contact

**S SFH - 001 T - P 0.5**

Form: S...Strip form

Series name

Applicable wire range: 001...AWG #26 to #22  
002...AWG #30 to #26

Surface finish: T...Tin-plated (reflow treatment)

Material: P...Copper alloy

Terminal size

### Housing

**SFK R - 02 V - S**

Series name

Part name: Receptacle

No. of circuits: 2

Flammability: V...UL94V-0

Color: S...Natural (White)

### Header

**SM 02 B - SFK H - TF**

Shape of assembled product:  
SM...SMT side entry type

No. of circuits: 2

Part name: Header

Series name

Color: H...Gray

Packaging style: TF...Embossed-taping

### Header (B type)

**SM 02 B - SFKB S 3 - TF**

Shape of assembled product:  
SM...SMT side entry type

No. of circuits: 2

Part name: Header

Series name

Color: S...Natural

Resin material: PA 4T

Packaging style: TF...Embossed-taping

## Looking for pricing, stock, or lifecycle information?

Click below to explore more details on WIN SOURCE:

-  [View SM02B-SFKH-TF on WIN SOURCE](#)
-  [JST Sales America Inc. Information](#)

## Optimize Your Supply Chain with WIN SOURCE Solutions

-  Global Sourcing Solution
-  Obsolete Management
-  Cost Control Management
-  Shortage Management
-  Alternative Solution
-  Excess Inventory Management