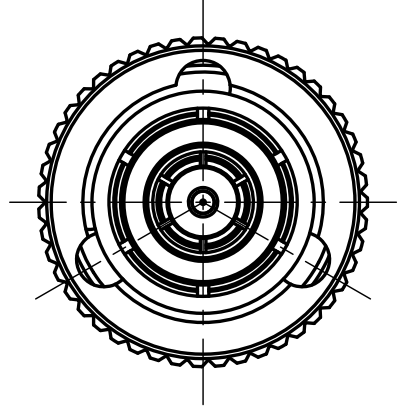


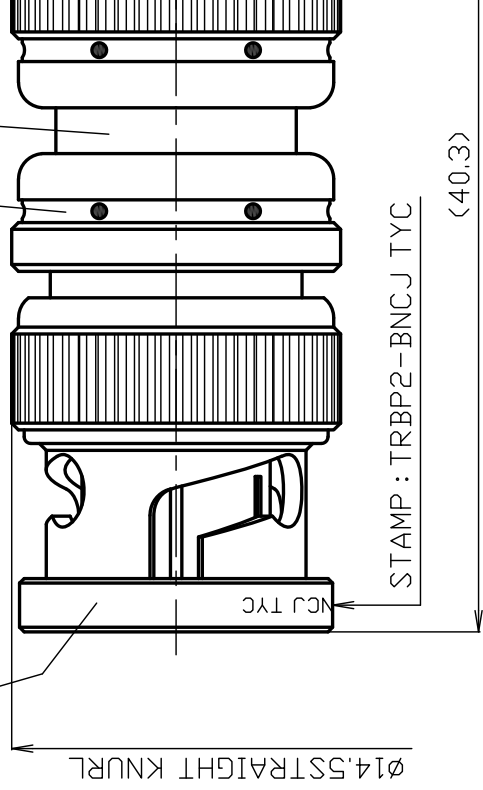


THE DATASHEET OF TRBP2-BNCJ





- ①
- ②
- ③
- ④
- ⑤
- ⑥
- ⑦
- ⑧
- ⑨
- ⑩

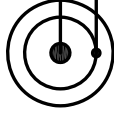


* PHOSPHOR BRONZE

13	BUSHING	BRASS	1	Ni	
12	INSULATOR B	PTFE	1	--	
11	BODY B	BRASS	1	Ni	
10	INSULATOR D	POM	1	--	
9	BODY A	BRASS	1	Ni	
8	FLAT WASHER	FE	1	Ni	
7	WAVE WASHER	SK5	2	Ni	
6	HALF FLAT WASHER	BRASS	2	Ni	
5	GASKET	SILICONE	1	--	
4	INSULATOR A	PTFE	1	--	
3	INSULATOR C	PTFE	1	--	
2	CENTER PIN	*	1	Au	
1	SHELL	BRASS	1	Ni	
NO.	DESCRIPTION	MATERIAL	Q'TY	FINISH	REMARK

TRB SIDE

BNC SIDE



Circuit configuration diagram

SCALE 3/1

DRAWN

INSPECTED

APPR

上領
'24.05.20

檜澤
'24.05.20

70

PROJECTION



株式会社

UNIT mm

DATE

2024.05.20

PRODUCT SPECIFICATIONS





Part number: TRBP2-BNCJ No. 0642690
 Drawing number: K-1046492
 Nominal 1 Standard MIL-C-39012(BNC)
 MIL-PRF-49142(TRB)
 2 Voltage rating AC 500V
 3 Impedance Mismatch
 4 Operating tempure range -40°C~+85°C
 5 Operating humidity range 95%(Max.) ※No condensation



	Test Items	Test Method/Value	Remarks
1	E L E C T R I C A L	Insulation resistance	1000MΩ(Min.) at DC 250V
2		Withstanding voltage	1 minute at AC 500V
3		Contact resistance	Inner conductor : 3mΩ(Max.) Intermediate conductor : 0.5mΩ(Max.)(TRB) Outer conductor : 1mΩ(Max.)(TRB) Outer conductor : 3mΩ(Max.)(BNC)
4	M E C H A N I C A L	Compatibility	No defects or abnormalities Connecting with a standard-compliant connector
5		Tensile strength of coupling mechanism	250N(BNC) 444.82N(TRB) At axial tensile force
6		Center contact retaining force	1N(Min.)(BNC) With a standard pin gauge
	O T H E R S		

※The structural shape is shown in the attached drawing (Drawing numberK-1046492)

	REVISIONS	DATE
1		
2		
3		

Checked	Approved	Inspected	Prepared
			

GKQM-24

Looking for pricing, stock, or lifecycle information?

Click below to explore more details on WIN SOURCE:

- ⊖ [View TRBP2-BNCJ on WIN SOURCE](#)
- ⊖ [TYCLON Information](#)

Optimize Your Supply Chain with WIN SOURCE Solutions

- ✓ Global Sourcing Solution
- ✓ Obsolete Management
- ✓ Cost Control Management
- ✓ Shortage Management
- ✓ Alternative Solution
- ✓ Excess Inventory Management