



THE DATASHEET OF TFC-SCJ-SCJ



Fiber Optic Adapter TFC-SCJ-SCJ

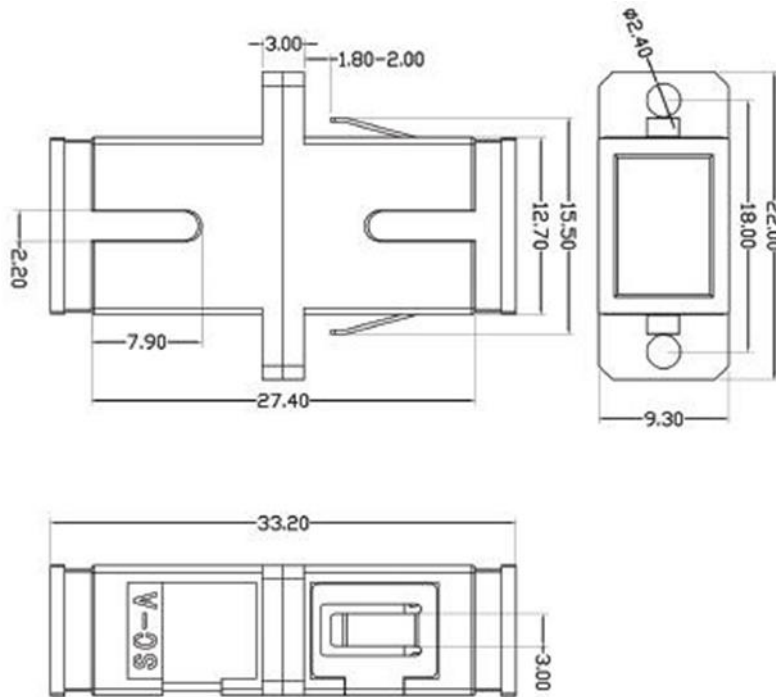
1 Specification

Data item	Specification
Model number	TFJ-SCJ-SCJ
Conforming fiber	Single-mode and Multi-mode (50/125)
Screw hole	With screw holes
Split sleeve material	Zirconia
Housing Color	PC Polishing
	Blue

2 Mechanical Properties

Data item	Standard value
Insertion Loss	0.20dB (Max.)
Durability	1000 matching
	0.20dB (Max.)
Operation Temperature	-25°C+75°C
Storage Temperature	-40°C+85°C

3 Structure (Unit: mm)





4 Environmental Standards

RoHS compliant

Looking for pricing, stock, or lifecycle information?

Click below to explore more details on WIN SOURCE:

-  [View TFC-SCJ-SCJ on WIN SOURCE](#)
-  [TYCLON Information](#)

Optimize Your Supply Chain with WIN SOURCE Solutions

-  Global Sourcing Solution
-  Obsolete Management
-  Cost Control Management
-  Shortage Management
-  Alternative Solution
-  Excess Inventory Management