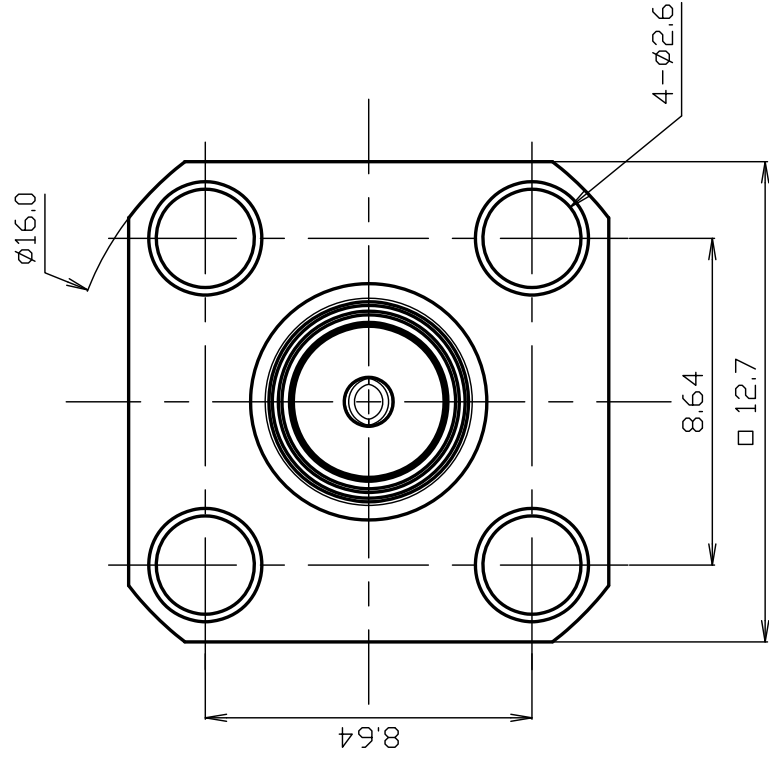




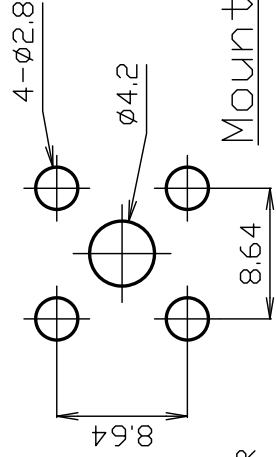
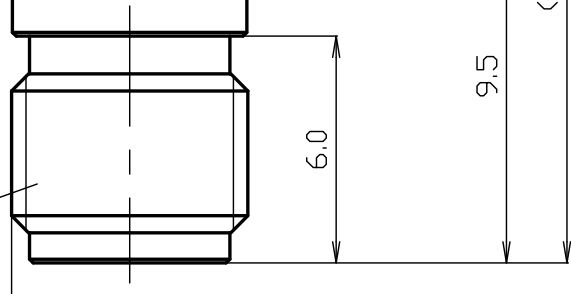
THE DATASHEET OF SMA-R(AU)





2 3 4

1/4-36 UNS-2A



Mounting hole<2/1>

- * 1 : BERYLLIUM COPPER
- * 2 : STAINLESS STEEL
- * 3 : PHOSPHOR BRONZE

NO.	DESCRIPTION	MATERIAL	Q'TY	FINISH	REMARK
7					
6					
5					
4	BUSHING	*3	1	Au	
3	INSULATOR	PTFE	1	--	
2	BODY	*2	1	Au	
1	CENTER PIN	*1	1	Au	

SCALE	5/1
DRAWN	渡邊 直弘
CHECKED	檜 澤
APPR	'23.05.23

UNIT	mm
DATE	2023.05.23

PROJECTION	1000	70

PRODUCT SPECIFICATION

Part number : SMA-R(Au)

No. 1131091

Drawing number : X-1136135

Nominal 1 Standard JEITA RC-5234
 2 Voltage rating AC 500V
 3 Frequency range 18GHz
 4 Impedance 50Ω
 5 Operating Temperature Range -40°C~+85°C



株式会社 トーコネ
 TO-CONNE CO.,LTD.

Test Items		Procedures/Test Method	Requirements
1 S T R U C T U R E	Design and Construction	Specified on relevant product drawing (Drawing number:X-1136135)	No defects or abnormalities
	Materials		
	Finish		
4	Insulation Resistance	DC 500V	1000 MΩ (Min.)
5	Withstand voltage	1 minute at AC 1000V	No defects or abnormalities
6 E L E C T R I C A L	Contact resistance	The method of which, the voltage drop of the contact duration should not exceed about 1-kHz AC or 1mV DC	Between inner conductors 3mΩ(Max.)
			Between outer conductors 2mΩ(Max.)
7	V.S.W.R	DC ~ 18GHz	1.2 (Max.)
8	Compatibility	Mating with connector complying with the standard	No defects or abnormalities
9	Retention force of socket centre contact	When the retention force is measured with a standard test gauge	0.28N(Min.)
10	Engagement Force	When axial tensile force of 180N is applied	No defects or abnormalities
11	Durability	After 500 matings	No defects or abnormalities

REVISIONS		DATE
1		
2		
3		

Checked	Approved	Proof mark	Prepared
 三村 23.05.24	 山本 23.05.24	 榎澤 23.05.24	 渡邊直弘 '23,05,24

GKQM-7

Looking for pricing, stock, or lifecycle information?

Click below to explore more details on WIN SOURCE:

- ⊖ [View SMA-R\(Au\) on WIN SOURCE](#)
- ⊖ [TYCLON Information](#)

Optimize Your Supply Chain with WIN SOURCE Solutions

- ✓ Global Sourcing Solution
- ✓ Obsolete Management
- ✓ Cost Control Management
- ✓ Shortage Management
- ✓ Alternative Solution
- ✓ Excess Inventory Management