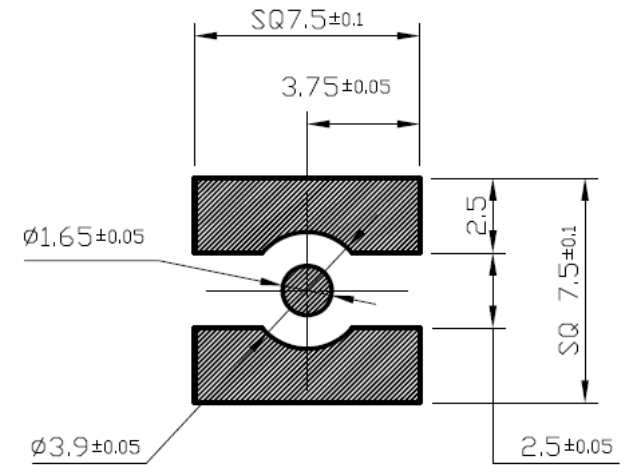
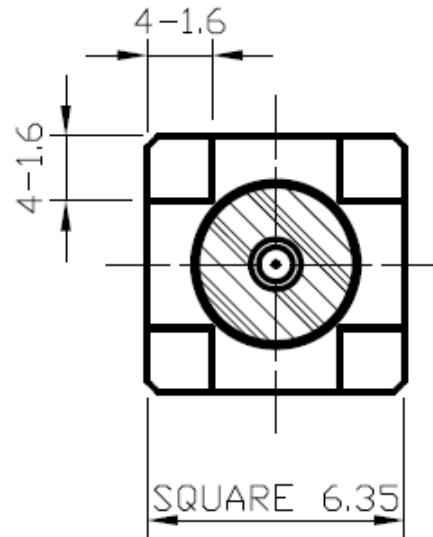
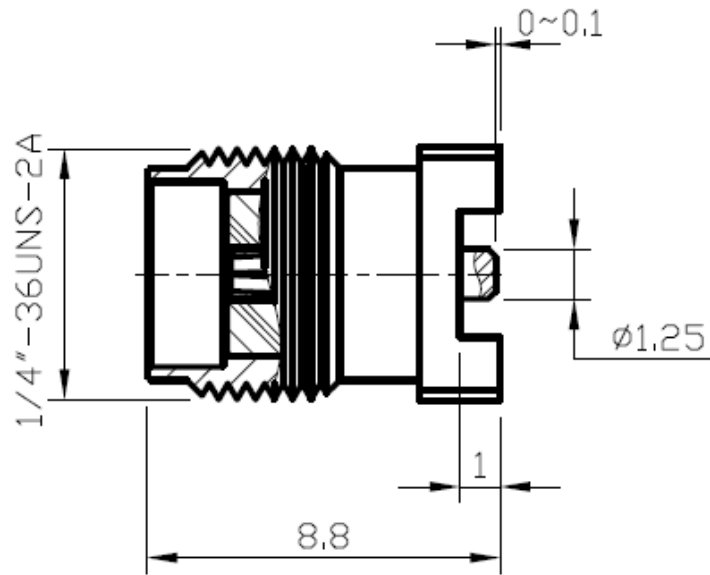


Reference Drawing



P.C.B LAYOUT (REF)

Product Specification

Items	Specs
Impedance	50 Ω
Frequency Range	DC~18 GHz
V.S.W.R	≤ 1.3
Working Voltage	AC 500V
Temperature Range	-65°C~165°C

R o H S Compliant $Cd \leq 75ppm$	
REMARKS	BRASS: Cd ≤ 75ppm PHOSPHOR BRONZE: Pb < 4wt%

SCALE NONE		PART NUMBER
UNIT mm		SMA-J-SMT
DATE 2025/04/09	PROJECTION 	TO-CONNE CO.,LTD

Looking for pricing, stock, or lifecycle information?

Click below to explore more details on WIN SOURCE:

 [View SMA-J-SMT on WIN SOURCE](#)

 [TYCLON Information](#)

Optimize Your Supply Chain with WIN SOURCE Solutions

-  Global Sourcing Solution
-  Obsolete Management
-  Cost Control Management
-  Shortage Management
-  Alternative Solution
-  Excess Inventory Management