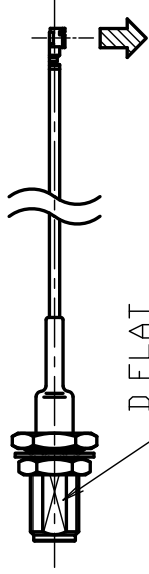




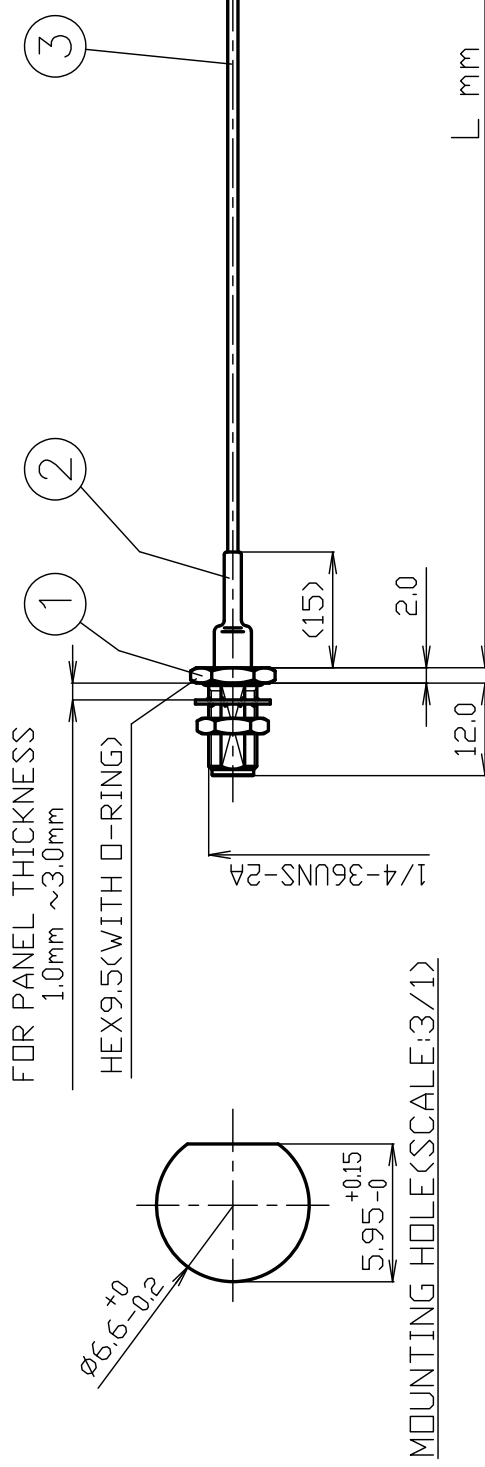
**THE DATASHEET OF
SMABJAU0.1MHFI-1.32**



ATTENTION MHF I CONNECTOR ORIENTATION

*1: Items less than 1 m

The mating part of the MHF I connector must face down with respect to the D flat of the SMA connector as shown in the figure.



■ Part number is specified by length(L)
Please specify the length(L) in
◎ Minimum length:40mm
Ex : L = 0.15m → SMABJAU0.15MHFI-

*1:MHF I PLUG(AU TYPE) . 20278-112R-32

*2:RF Mini 32AWG 1.32mm

*3:WONDERFUL HI-TECH

NO.	DESCRIPTION	PART NUMBER	Q'TY	MANUFACTURER	FINISH	DATE	UNIT	SCALE	DRAWN	INSPECTED	APPROVED
6						2024,07,23	mm	1/1	渡邊 直弘	檜 澤	
5											
4	MHF I CONNECTOR	*1	1	I-PEX	BODY/Au. CENTER PIN/Au						
3	COAXIAL CABLE	*2	1	*3	COLOR:BLACK						
2	HEAT SHRINK TUBE(WITH GLUE)	--	1	--	COLOR:BLACK						
1	SMA CONNECTOR	SMABJ-066AS(AU)	1	TO-CONN	BODY/Au. CENTER PIN/Au						
				MANUFACTURER							

PROJECTION



株式会社 70

Looking for pricing, stock, or lifecycle information?

Click below to explore more details on WIN SOURCE:

- ⊖ [View SMABJAU0.1MHFI-1.32 on WIN SOURCE](#)
- ⊖ [TYCLON Information](#)

Optimize Your Supply Chain with WIN SOURCE Solutions

- ✓ Global Sourcing Solution
- ✓ Obsolete Management
- ✓ Cost Control Management
- ✓ Shortage Management
- ✓ Alternative Solution
- ✓ Excess Inventory Management