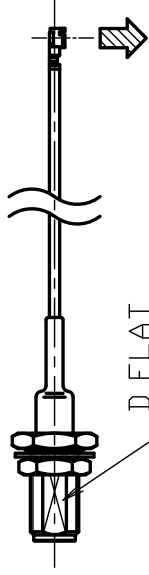




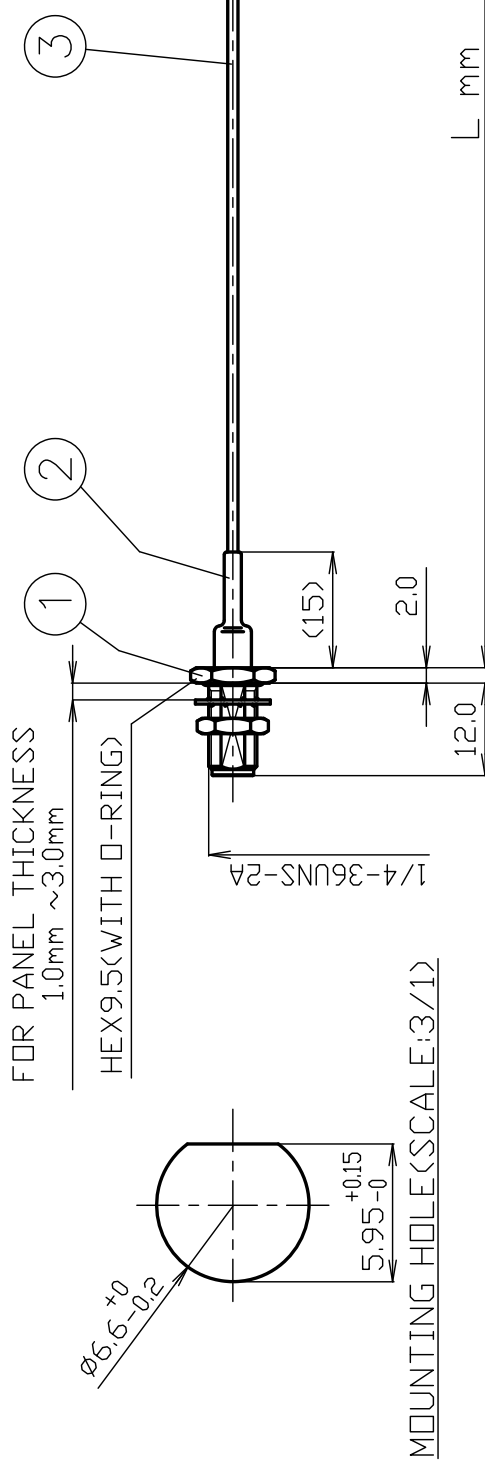
**THE DATASHEET OF  
SMABJAU0.15MHFI-1.13**



**ATTENTION** MHF I CONNECTOR ORIENTATION

\*1: Items less than 1 m

The mating part of the MHF I connector must face down with respect to the D flat of the SMA connector as shown in the figure.



■ Part number is specified by length(L)  
Please specify the length(L) in  
◎ Minimum length:40mm  
Ex : L = 0.15m → SMABJAU0.15MHFI-

- \*1:MHF I PLUG(AU TYPE) 、 20278-112R-13
- \*2:RF Mini 32AWG 1.13mm
- \*3:WONDERFUL HI-TECH

NO.	DESCRIPTION	PART NUMBER	Q'TY	MANUFACTURER	FINISH	DATE	UNIT	SCALE	DRAWN	INSPECTED	APPROVED
6						2024,07,23	mm	1/1	渡邊 直弘	檜 澤	'24,07,23
5											
4	MHF I CONNECTOR	*1	1	I-PEX	BODY/Au. CENTER PIN/Au						
3	COAXIAL CABLE	*2	1	*3	COLOR:BLACK						
2	HEAT SHRINK TUBE(WITH GLUE)	--	1	--	COLOR:BLACK						
1	SMA CONNECTOR	SM-BJ-13AS(AU)	1	TO-CONN	BODY/Au. CENTER PIN/Au						
				MANUFACTURER							

PROJECTION



株式会社 70

## Looking for pricing, stock, or lifecycle information?

Click below to explore more details on WIN SOURCE:

- ⊖ [View SMABJAU0.15MHFI-1.13 on WIN SOURCE](#)
- ⊖ [TYCLON Information](#)

## Optimize Your Supply Chain with WIN SOURCE Solutions

- ✓ Global Sourcing Solution
- ✓ Obsolete Management
- ✓ Cost Control Management
- ✓ Shortage Management
- ✓ Alternative Solution
- ✓ Excess Inventory Management