

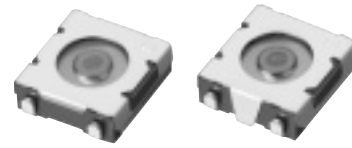


THE DATASHEET OF EVQ-QFV02K



2 mm Thick SMD Light Touch Switches for Reflow Soldering (Without Push Plate)

Japan



Type: **EVQQF**

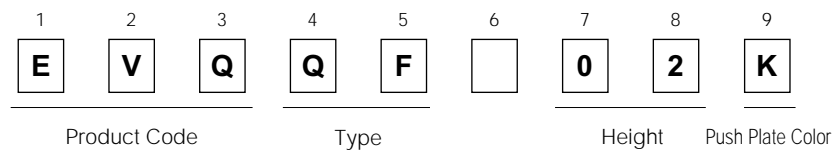
■ Features

- 2.0 mm-high chip Light Touch Switches
- Reflow soldering available
- High reliability due to sealed structure
- Ground terminal option

■ Recommended Applications

- Operating switches for camcorders, headphone stereos
- Operating signal input switches for communication equipments

■ Explanation of Part Numbers



■ Product Chart

Type without Push Plate	Soldering		Reflow soldering	
	Packaging		Taping	
	Ground terminal		Without	With
Profile H=2.0 mm	Operating Force	1.3 N	EVQQFV	EVQQFY

■ Specifications

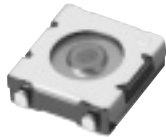
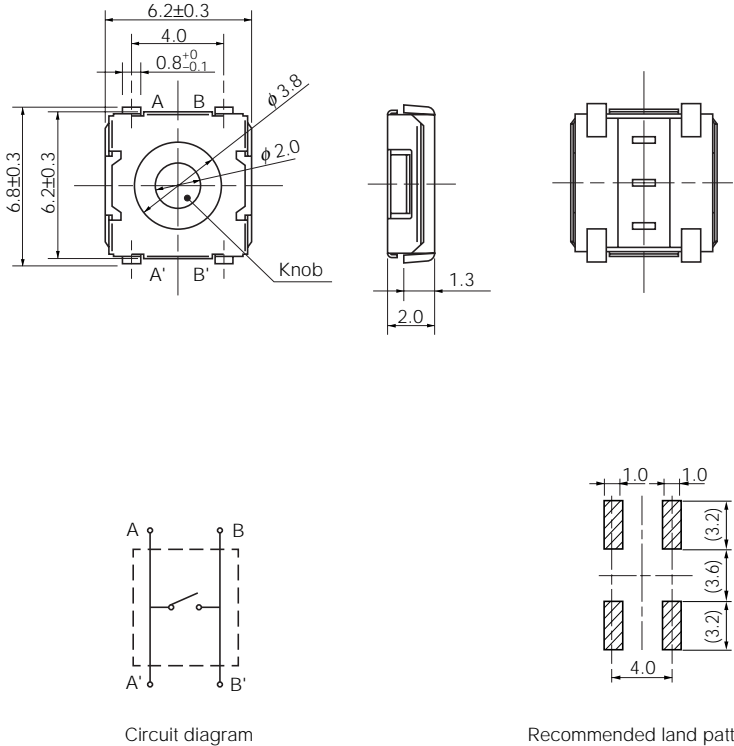
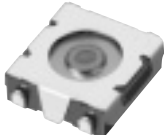
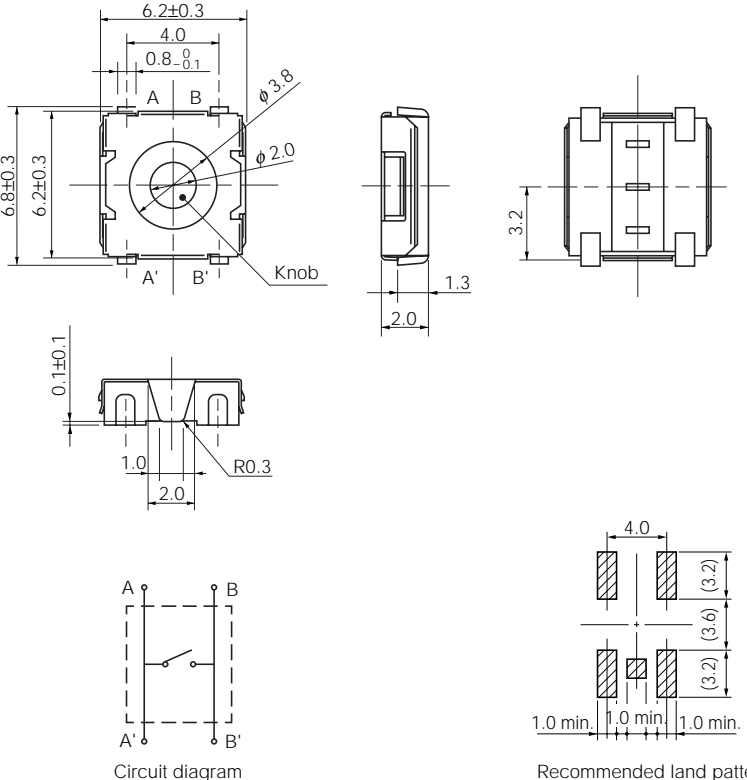
Type		Snap action/Push-on type SPST
Electrical	Rating	20 mA 15 Vdc max. (Resistive load)
	Contact Resistance	50 mΩ max.
	Insulation Resistance	50 MΩ min. (at 100 Vdc)
	Dielectric Withstanding Voltage	250 Vac for 1 minute
	Bouncing	3 ms max. (ON) 8 ms max. (OFF)
Mechanical	Operating Force	1.3 N±0.4 N
	Travel	0.25 mm±0.10 mm
Endurance	Operating Life	100000 cycles min.*
	Operating Temperature	-20 °C to +70 °C (45 % to 85 % RH)
	Storage Temperature	-40 °C to +85 °C (Bulk) -20 °C to +60 °C (Taping)
Minimum Quantity/Packing Unit		4000 pcs. Embossed Taping (Reel Pack)
Quantity/Carton		20000 pcs.

Note: Non washable

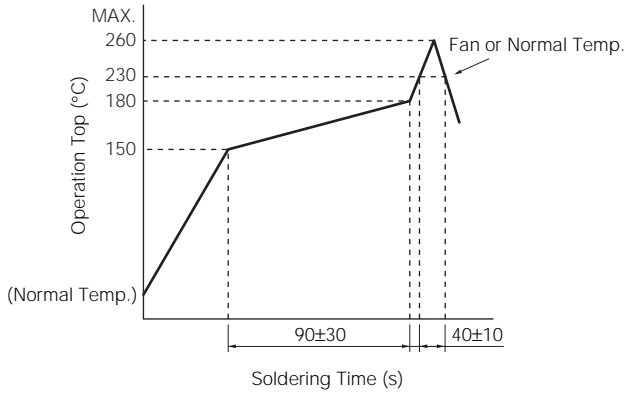
* 1 million cycles also available, consult our salesmen.

Design and specifications are each subject to change without notice. Ask factory for the current technical specifications before purchase and/or use. Should a safety concern arise regarding this product, please be sure to contact us immediately.

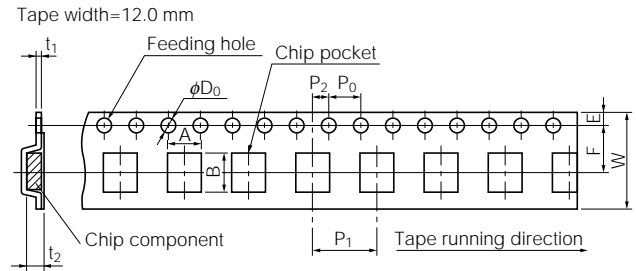
■ Dimensions in mm (not to scale)

<p>No. 1</p> <p>EVQQFV</p> <p>(Embossed Taping)</p> <p>Surface mount For reflow soldering Without ground terminal</p> 	 <p>Circuit diagram</p> <p>Recommended land pattern</p>		
<p>Part Numbers</p> <p>EVQQFV02K</p>	<p>Operating Force</p> <p>1.3 N</p>	<p>Height</p> <p>2.0 mm</p>	<p>Operating Life</p> <p>100000 cycles</p>
<p>No. 2</p> <p>EVQQFY</p> <p>(Embossed Taping)</p> <p>Surface mount For reflow soldering With ground terminal</p> 	 <p>Circuit diagram</p> <p>Recommended land pattern</p>		
<p>Part Numbers</p> <p>EVQQFY02K</p>	<p>Operating Force</p> <p>1.3 N</p>	<p>Height</p> <p>2.0 mm</p>	<p>Operating Life</p> <p>100000 cycles</p>

Recommended Reflow Soldering Conditions



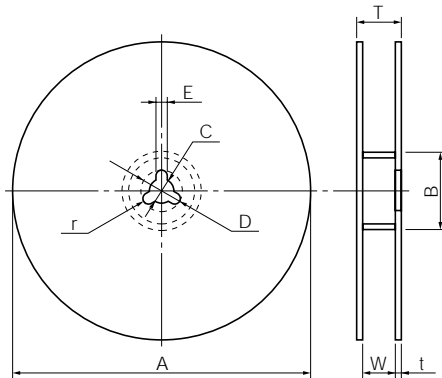
Embossed Carrier Taping



Unit: mm

Part No.	Height	A	B	W	F	E	P_1	P_2	P_0	D_0 Dia.	t_1	t_2
EVQQF	2.0	7.0 ± 0.2	7.5 ± 0.2	12.0 ± 0.3	5.5 ± 0.1	1.75 ± 0.10	8.0 ± 0.1	2.0 ± 0.1	4.0 ± 0.1	$1.5_{-0}^{+0.1}$	0.30 ± 0.05	2.2 ± 0.2

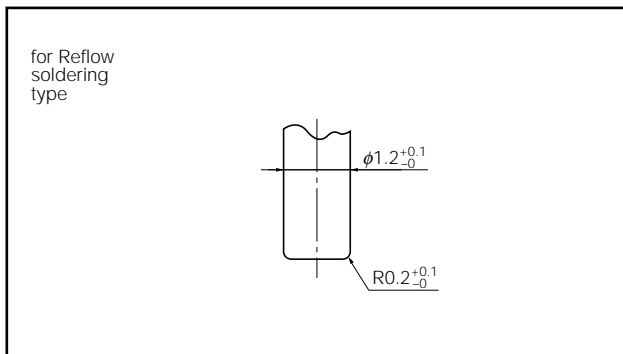
Standard Reel Dimensions in mm (not to scale)



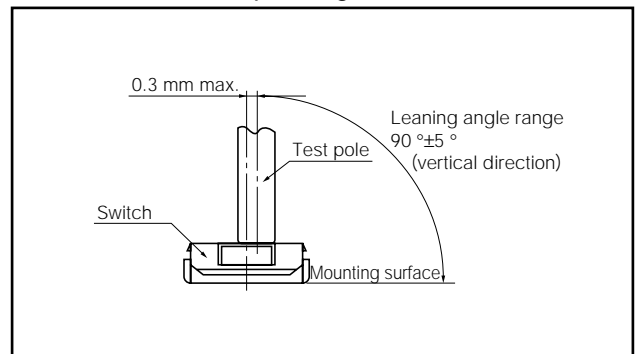
Item	A	B	C	D	E
Rate (mm)	$\phi 370.0 \pm 2.0$	$\phi 50.0$ min.	$\phi 13.0 \pm 0.5$	$\phi 21.0 \pm 1.0$	2.0 ± 0.5

Item	W	T	t	r
Rate (mm)	14.0 ± 1.5	—	1.0 to 3.0	1.0 ± 0.5

Recommended Shape of Test Pole





Recommended Operating Conditions



Looking for pricing, stock, or lifecycle information?

Click below to explore more details on WIN SOURCE:

-  [View EVQ-QFV02K on WIN SOURCE](#)
-  [Panasonic Information](#)

Optimize Your Supply Chain with WIN SOURCE Solutions

-  Global Sourcing Solution
-  Obsolete Management
-  Cost Control Management
-  Shortage Management
-  Alternative Solution
-  Excess Inventory Management