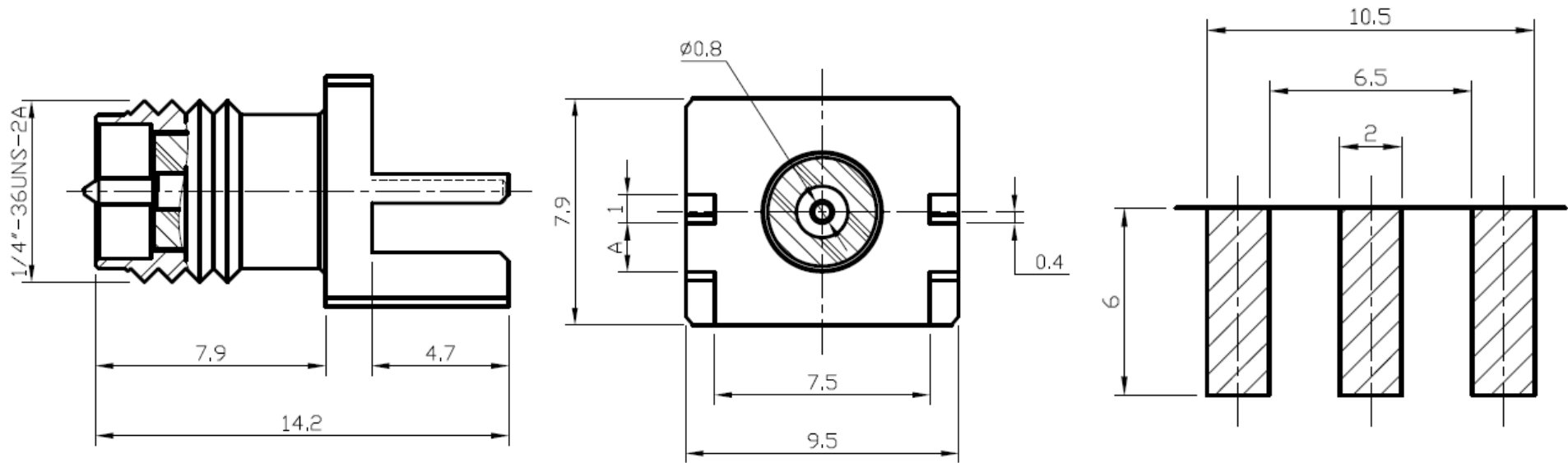


Reference Drawing



P.C.B LAYOUT (REF)

NOMINAL IMPEDANCE : 50Ω
 FREQUENCY RANGE : 0 ~ 6GHz

RoHS Compliant		Cd ≤ 75ppm
REMARKS	BRASS: Cd ≤ 75ppm PHOSPHOR BRONZE: Pb < 4wt%	

NO	DESCRIPTION	MATERIAL	Q'TY	FINISH	ITEM
03	CENTER PIN	BRASS	1	GOLD	
02	INSULATOR	TEFLON	1	--	
01	BODY	BRASS	1	GOLD	

SCALE	NONE
UNIT	mm
DATE	2025/MM/DD

TYCLON



PROJECTION

TO-CONNE CO.,LTD


PART NUMBER	RPSMA-PC(Au)
-------------	--------------

Looking for pricing, stock, or lifecycle information?

Click below to explore more details on WIN SOURCE:

-  [View RPSMA-PC\(Au\) on WIN SOURCE](#)
-  [TYCLON Information](#)

Optimize Your Supply Chain with WIN SOURCE Solutions

-  Global Sourcing Solution
-  Obsolete Management
-  Cost Control Management
-  Shortage Management
-  Alternative Solution
-  Excess Inventory Management