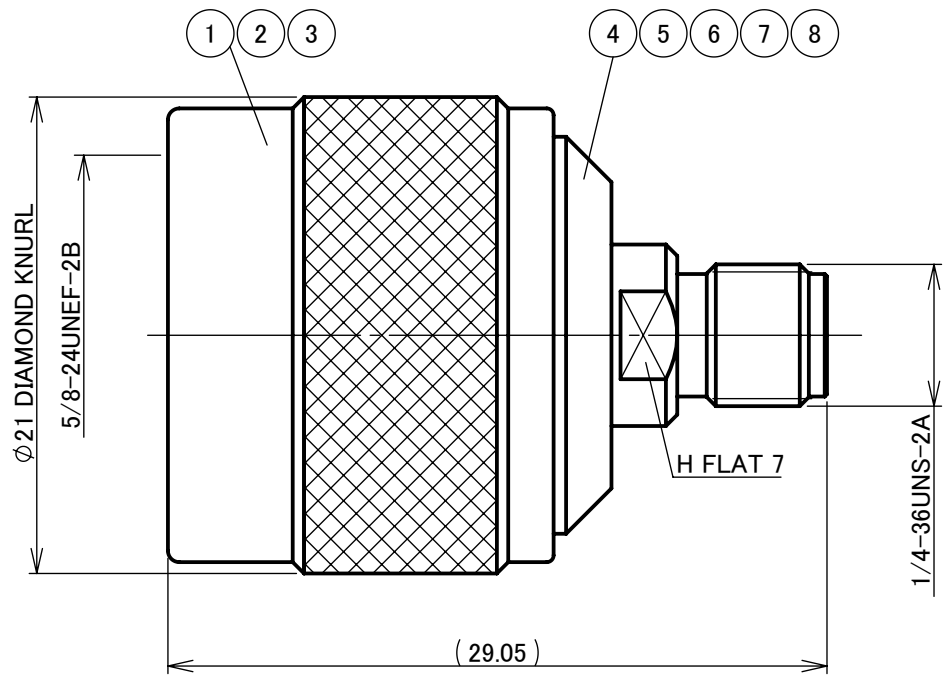




# THE DATASHEET OF NP-SMAJ-18G





※1 PHOSPHOR BRONZE  
 ※2 BERYLLIUM COPPER

R o H S Compliant Cd ≦75ppm  
 REMARKS BRASS: Cd ≦75ppm  
 PHOSPHOR BRONZE: Pb <4wt%

NO.	DESCRIPTION	MATERIAL	Q'TY	FINISH	REMARK
8	INSULATOR B	PTFE	1	--	
7	CENTER PIN	※2	1	Au	
6	INSULATOR A	PTFE	1	--	
5	OUTER CONTACT	BRASS	1	Ni	
4	BODY	BRASS	1	Ni	
3	GASKET	SILICONE	1	--	
2	HOLDING RING	※1	1	--	
1	COUPLING NUT	BRASS	1	Ni	

SCALE	3/1	DRAWN	INSPECTED	APPROVED	CHECKED	PART NUMBER
UNIT	mm	石川	檜澤	山本	三村	
DATE	2024.03.07	'24.03.07	'24.03.07	'24.03.07	'24.03.07	DRAWING NO. I-0675266
PROJECTION		株式会社 トーコネ TO-CONNE CO.,LTD.				

# PRODUCT SPECIFICATIONS

Part number: NP-SMAJ-18G

No. 0672120

Drawing number: I-0675266

Nominal 1 Standard JIS C 5411、JEITA RC-5234

2 Voltage rating AC 500V

3 Rated frequency 18GHz

4 Impedance 50Ω

5 Operating temperature range -40°C~+85°C





6 Operating humidity range 95%(Max.) ※No condensation



Test Items		Test Method/Value	Remarks
1 E L E C T R I C A L	Insulation resistance	5000MΩ(Min.) at DC 500V	
	Withstanding voltage	1 minute at AC 1000V	
	Contact resistance	3mΩ(Max.)	
	V.S.W.R	DC~9GHz : 1.15(Max.) 9GHz~15GHz : 1.2(Max.) 15GHz~18GHz : 1.4(Max.)	
5 M E C H A N I C A L	Compatibility	No defects or abnormalities	Connecting with a standard-compliant connector
	Center contact capivation	22N	At axial tensile force
	Tensile strength of coupling mechanism	300N(N)、180N(SMA)	At axial tensile force
	Center contact retaining force	0.28N(Min.)	With a standard pin gauge

※The structural shape is shown in the attached drawing (Drawing number:I-0675266)

REVISIONS		DATE
1		
2		
3		

Checked	Approved	Inspected	Prepared
			

GKQM-24

## Looking for pricing, stock, or lifecycle information?

Click below to explore more details on WIN SOURCE:

 [View NP-SMAJ-18G on WIN SOURCE](#)

 [TYCLON Information](#)

## Optimize Your Supply Chain with WIN SOURCE Solutions

-  Global Sourcing Solution
-  Obsolete Management
-  Cost Control Management
-  Shortage Management
-  Alternative Solution
-  Excess Inventory Management