



**THE DATASHEET OF
NPJ50AT6G50W-6DB**



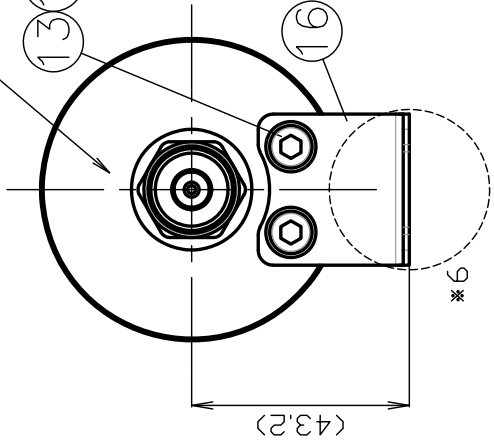
7 6 5 4 3 2 1
STAMP : 50W TYC 6dB IN

8 9
STAMP : SERIAL No.

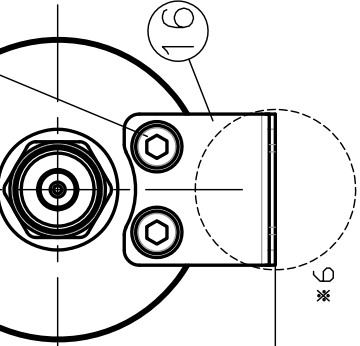
10

(142)

13 14 15



13 14 15

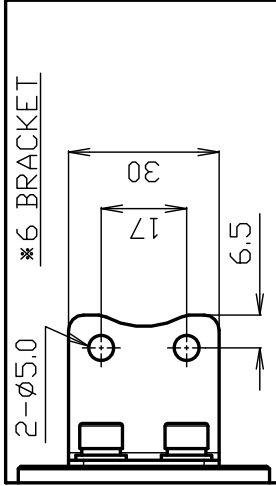


ø60

HEX 19.0

5/8-24UNEF-2B

(160)



2-ø5.0 #6 BRACKET

- * 1: TERNARY PLATING
- * 2: ANODAIZING(BLACK)
- * 3: PASSIVATE
- * 4: STAINLESS STEEL
- * 5: PHOSPHOR BRONZE

12	INSULATOR B	PTFE	1	--	16	BRACKET	* 4
11	CENTER PIN B	* 5	1	Au	15	WASHER	* 4
10	BODY B	BRASS	1	* 1	14	SPRING WASHER	* 4
9	ATTENUATION TERMINAL	--	1	--	13	SOCKET HEAD CAP SCREW	* 4
8	HEAT SINK	ALUMINUM	1	* 2	ND.	DESCRIPTION	MATERIAL
7	O-RING	SILICONE	2	--	SCALE	2/3	INSPECTED
6	INSULATOR A	PTFE	1	--			井
5	CENTER PIN A	* 5	1	Au			'23.12.19
4	GASKET	SILICONE	1	--			出
3	BODY A	BRASS	1	* 1	UNIT		'23.12.19
2	HOLDING RING	* 4	1	--			澤
1	COUPLING NUT	BRASS	1	* 1	mm		
ND.	DESCRIPTION	MATERIAL	Q'TY	FINISH	DATE	2023.12.19	PROJECTION
					REMARK		



株式会社
70-

PRODUCT SPECIFICATIONS

Part No. NPJ50AT6G50W-6dB

No. 0592409

DWG No. W-0596069

Nominal 1 Standard JIS C 5411
 2 Power handling 50W
 3 Frequency range 6GHz
 4 Impedance 50Ω
 5 [OPR]Temp-Range -45°C~+85°C



		Test Items	Procedures/Test method	Requirements
DESIGN	1	Design & construction	Specified on relevant product drawing (DWG No. W-0596069)	No defects or abnormalities
	2	Materials		
	3	Finishes		
ELECTRICAL	4	Attenuation	DC~6GHz	6±0.68dB
	5	V. S. W. R	DC~3GHz	1.2 (Max.)
			3~6GHz	1.3 (Max.)
MECHANICAL	6	Compatibility	Connecting with a standard-compliant connector	No defects or abnormalities
	7	Tensile strength of coupling mechanism	At axial tensile force 300N	No defects or abnormalities
	8	Connection nut tightening torque	0.9~1.7N·m	
ENVIRONMENTAL	9	Waterproof	IPX7	No water ingress inside the connector

	Remarks	Date
1		
2		
3		

Checked	Approved	Inspected	Prepared
三	山	檜	渡邊
22.08.30	22.08.30	22.08.30	'22.08.30
村	本	澤	直弘

Looking for pricing, stock, or lifecycle information?

Click below to explore more details on WIN SOURCE:

- ⊖ [View NPJ50AT6G50W-6dB on WIN SOURCE](#)
- ⊖ [TYCLON Information](#)

Optimize Your Supply Chain with WIN SOURCE Solutions

- ✓ Global Sourcing Solution
- ✓ Obsolete Management
- ✓ Cost Control Management
- ✓ Shortage Management
- ✓ Alternative Solution
- ✓ Excess Inventory Management