



**THE DATASHEET OF
NPJ50AT6G20W-20DB**

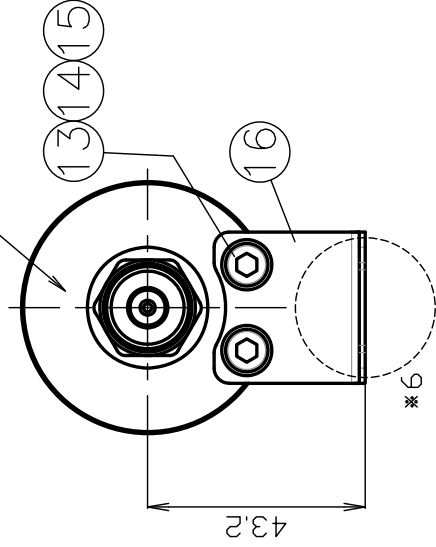


7 6 5 4 3 2 1

10 11 12 7

STAMP : 20W TYC 20dB IN

STAMP : SERIA

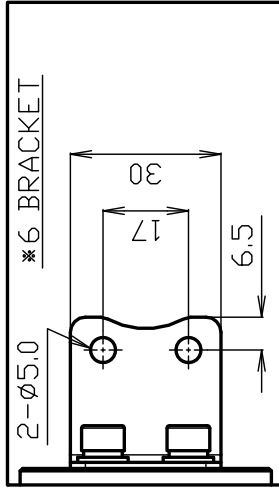


(92)

(110)

5/8-24UNEF-2B
5/8-24UNEF-2A

∅50



- * 1 : TERNARY PLATING
- * 2 : ANODAIZING(BLACK)
- * 3 : PASSIVATE
- * 4 : STAINLESS STEEL
- * 5 : PHOSPHOR BRONZE

12	INSULATOR B	PTFE	1	--	16	BRACKET	* 4
11	CENTER PIN B	* 5	1	Au	15	WASHER	* 4
10	BODY B	BRASS	1	* 1	14	SPRING WASHER	* 4
9	ATTENUATION TERMINAL	--	1	--	13	SOCKET HEAD CAP SCREW	* 4
8	HEAT SINK	ALUMINUM	1	* 2	ND.	DESCRIPTION	MATERIA
7	O-RING	SILICONE	2	--	SCALE	2 / 3	DRAWN
6	INSULATOR A	PTFE	1	--			INSPECTED
5	CENTER PIN A	* 5	1	Au			APPR
4	GASKET	SILICONE	1	--			
3	BODY A	BRASS	1	* 1	UNIT		
2	HOLDING RING	* 4	1	--			
1	COUPLING NUT	BRASS	1	* 1	DATE	2023.12.18	PROJECTION
ND.	DESCRIPTION	MATERIAL	Q'TY	FINISH	REMARK		

'23.12.18
井
出

'23.12.18
檜
澤



株式会社
70-

PRODUCT SPECIFICATIONS

Part No. NPJ50AT6G20W-20dB

No. 0592348

DWG No. W-0595947

Nominal 1 Standard JIS C 5411
 2 Power handling 20W
 3 Frequency range 6GHz
 4 Impedance 50Ω
 5 [OPR]Temp-Range -45°C~+85°C





		Test Items	Procedures/Test method	Requirements
DESIGN	1	Design & construction	Specified on relevant product drawing	
	2	Materials	(DWG No. W-0595947)	No defects or abnormalities
	3	Finishes		
ELECTRICAL	4	Attenuation	DC~6GHz	20±1.1dB
	5	V. S. W. R	DC~3GHz 3~6GHz	1.2 (Max.) 1.3 (Max.)
	6	Compatibility	Connecting with a standard-compliant connector	No defects or abnormalities
MECHANICAL	7	Tensile strength of coupling mechanism	At axial tensile force 300N	No defects or abnormalities
	8	Connection nut tightening torque	0.9~1.7N·m	No defects or abnormalities
	9	Waterproof	IPX7	No water ingress inside the connector
ENVIRONMENTAL				

	Remarks	Date
1		
2		
3		

Checked	Approved	Inspected	Prepared
三	山	檜	渡邊
21.11.22	21.11.22	21.11.22	'21.11.22
村	本	澤	直弘

Looking for pricing, stock, or lifecycle information?

Click below to explore more details on WIN SOURCE:

-  [View NPJ50AT6G20W-20dB on WIN SOURCE](#)
-  [TYCLON Information](#)

Optimize Your Supply Chain with WIN SOURCE Solutions

-  Global Sourcing Solution
-  Obsolete Management
-  Cost Control Management
-  Shortage Management
-  Alternative Solution
-  Excess Inventory Management