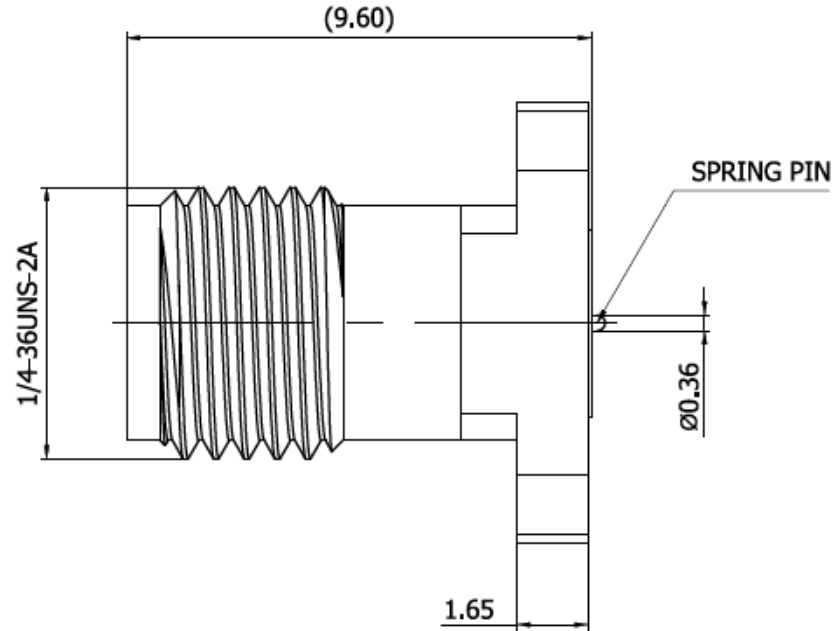
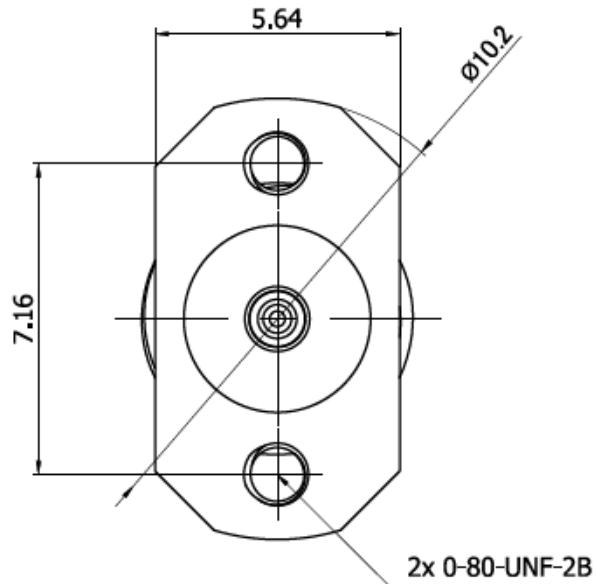




**THE DATASHEET OF  
K292-R-SMT2(SL)**



# Reference Drawing



**MATERIAL:**

BODY: STAINLESS STEEL PER AMS-5640,  
ALLOY UNS S30300

CONTACT: BERYLLIUM COPPER PER ASTM B196.  
ALLOY NO. UNS C17300

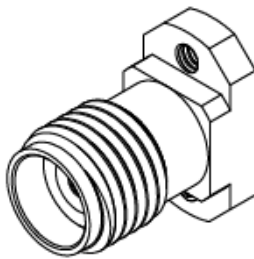
INSULATOR: PEI

**PERFORMANCE:**

IMPEDANCE: 50 OHMS

FREQUENCY: DC TO 40 GHz

VSWR: ≤1.30



R o H S Compliant	
REMARKS	Cd ≤75ppm BRASS: Cd ≤75ppmPHOSPHOR BRONZE: Pb <4wt%

SCALE NONE		PART NUMBER
UNIT mm		K292-R-SMT2(SL)
DATE 2025/02/13	PROJECTION 	TO-CONNE CO.,LTD

## Looking for pricing, stock, or lifecycle information?

Click below to explore more details on WIN SOURCE:

 [View K292-R-SMT2\(SL\) on WIN SOURCE](#)

 [TYCLON Information](#)

## Optimize Your Supply Chain with WIN SOURCE Solutions

-  Global Sourcing Solution
-  Obsolete Management
-  Cost Control Management
-  Shortage Management
-  Alternative Solution
-  Excess Inventory Management