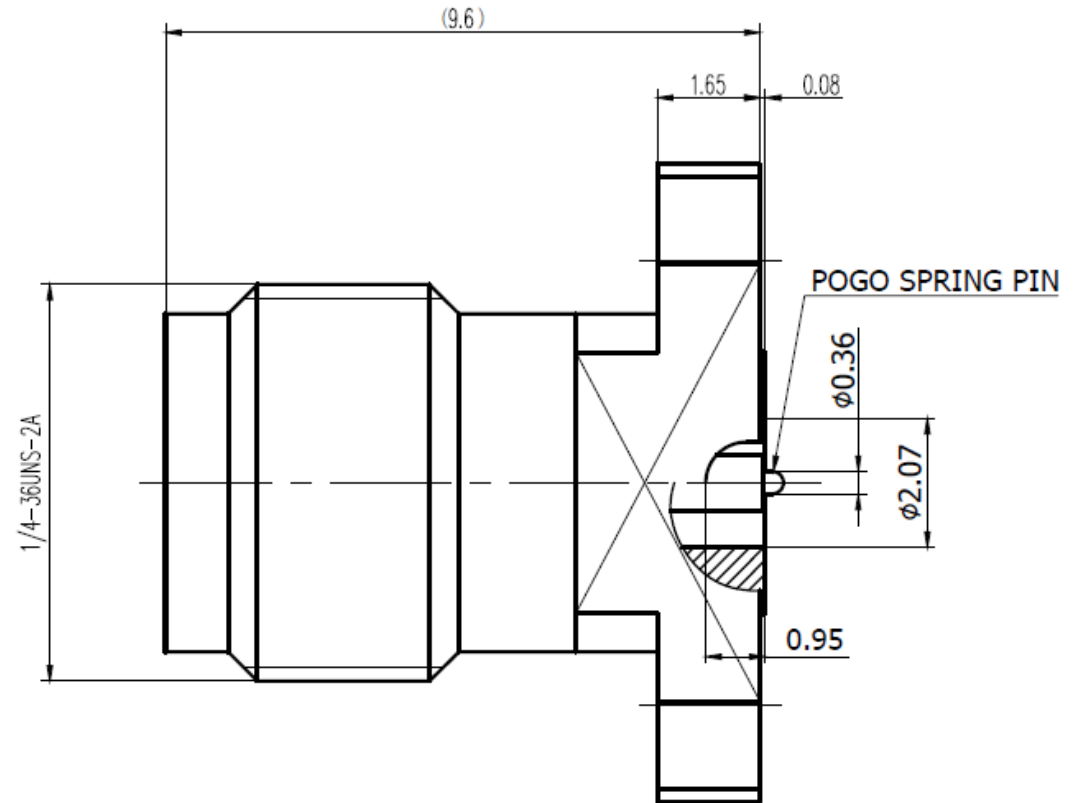
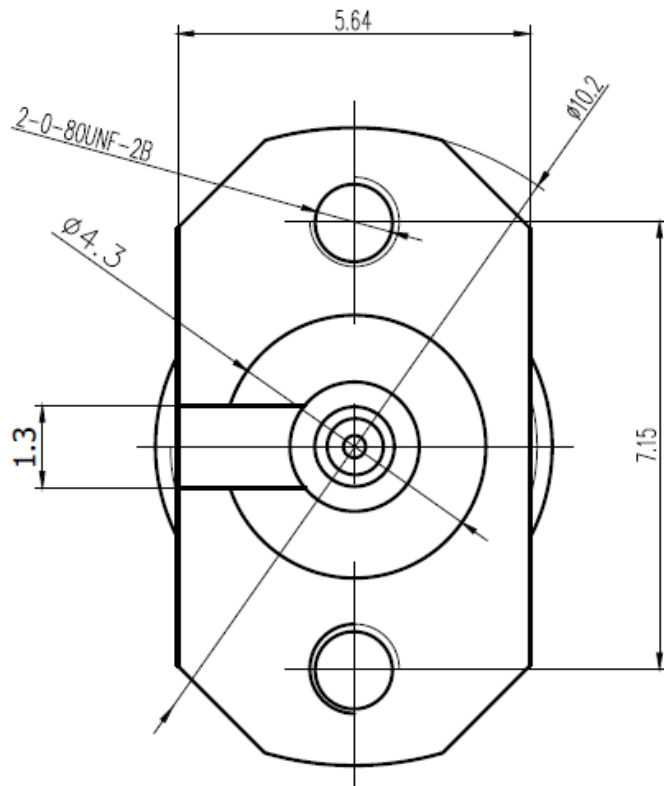




**THE DATASHEET OF
K292-R-SMT(SL)**



Reference Drawing



MATERIAL:

BODY: STAINLESS STEEL
 CONTACT: BERYLLIUM COPPER
 INSULATOR: PEI

PERFORMANCE:

IMPEDANCE: 50 OHMS
 FREQUENCY: DC TO 40 GHz
 VSWR: ≤1.50

RoHS Compliant $Cd \leq 75ppm$	
REMARKS	BRASS: $Cd \leq 75ppm$ PHOSPHOR BRONZE: $Pb < 4wt\%$

SCALE NONE		PART NUMBER
UNIT mm		K292-R-SMT(SL)
DATE 2025/02/13	PROJECTION 	TO-CONNE CO.,LTD

Looking for pricing, stock, or lifecycle information?

Click below to explore more details on WIN SOURCE:

 [View K292-R-SMT\(SL\) on WIN SOURCE](#)

 [TYCLON Information](#)

Optimize Your Supply Chain with WIN SOURCE Solutions

-  Global Sourcing Solution
-  Obsolete Management
-  Cost Control Management
-  Shortage Management
-  Alternative Solution
-  Excess Inventory Management