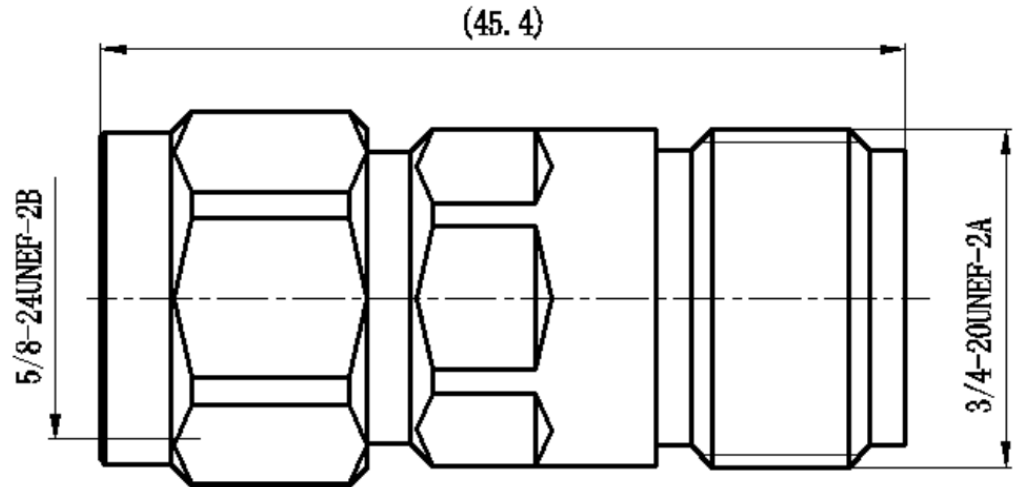


Reference Drawing



Interface

According to MIL-C-39012/106 (HN)
IEC 60169-16 (N)

Electrical

Characteristic Impedance 50 ohm
 Frequency Range DC-1GHz
 VSWR ≤1.10
 Dielectric Withstanding Voltage ≥2500V RMS,50Hz,at sea level
 Dielectric Resistance ≥5000M Ω
 Contact Resistance Center Contact ≤1.0m Ω
 Outer Contact ≤1.0m Ω

Mechanical

Durability Mating cycles ≥500 cycles

Material and plating

	Material	plating
Body	Brass	Tri-Alloy
Insulator	PTFE	-
Center conductor	Spring bronze	Ag
Gasket	Silicon	
Nut	Brass	Tri-Alloy

Environmental

Temperature Range -40°C~+85°C
 Watertightness IP67
 Rosh-compliance Full ROHS compliance
 Salt-fog test 96h

R o H S Compliant Cd ≤75ppm	
REMARKS	BRASS: Cd ≤75ppmPHOSPHOR BRONZE: Pb <4wt%

SCALE NONE		PART NUMBER
UNIT mm		HNJ-NP
DATE 2025/04/25	PROJECTION 	TO-CONNE CO.,LTD

Looking for pricing, stock, or lifecycle information?

Click below to explore more details on WIN SOURCE:

 [View HNJ-NP](#) on WIN SOURCE

 [TYCLON](#) Information

Optimize Your Supply Chain with WIN SOURCE Solutions

-  Global Sourcing Solution
-  Obsolete Management
-  Cost Control Management
-  Shortage Management
-  Alternative Solution
-  Excess Inventory Management