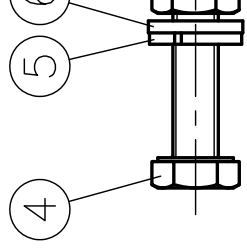
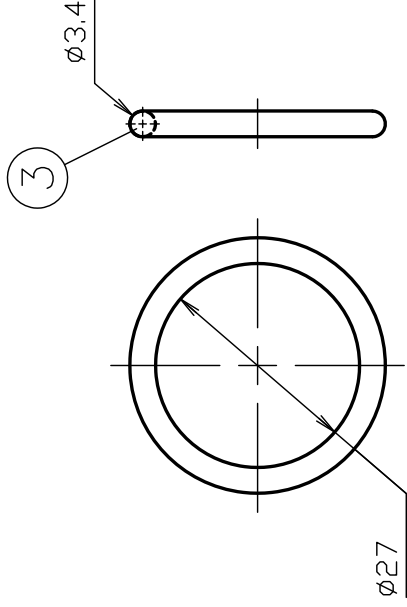
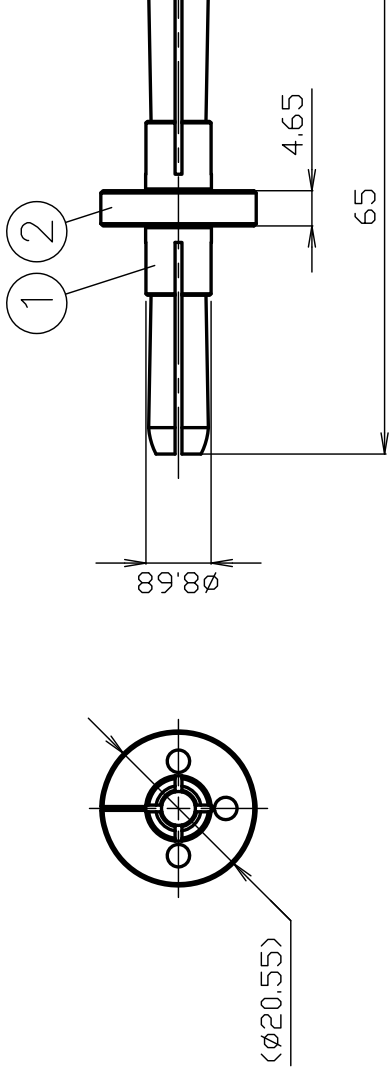




THE DATASHEET OF COUPLING ELEMENT(EIA7/8)





*1: PHOSPHOR BRONZE
*2: STAINLESS STEEL

NO.	DESCRIPTION	MATERIAL	Q'TY	FINISH	REMARK
7	HEX NUT	*2	3	--	M6
6	WASHER	*2	3	--	M6
5	SPRING WASHER	*2	3	--	M6
4	HEX BOLT	*2	3	--	M6 x 30
3	O-RING	SILICONE	1	--	COLOR: RED
2	INSULATOR	PTFE	1	--	
1	SOCKET CONTACT	*1	1	A9	
	DESCRIPTION	MATERIAL	Q'TY	FINISH	REMARK

DRAWN	INSPECTED	APPR	SCALE	UNIT	DATE
渡邊 直弘 '24.07.01	檜 澤 '24.07.01		1/1	mm	2024.07.01

PROJECTION	LOGO	70
PROJECTION	LOGO	70

Looking for pricing, stock, or lifecycle information?

Click below to explore more details on WIN SOURCE:

-  [View COUPLING ELEMENT\(EIA7/8\) on WIN SOURCE](#)
-  [TYCLON Information](#)

Optimize Your Supply Chain with WIN SOURCE Solutions

-  Global Sourcing Solution
-  Obsolete Management
-  Cost Control Management
-  Shortage Management
-  Alternative Solution
-  Excess Inventory Management