



**THE DATASHEET OF  
EVND2AA03B14**

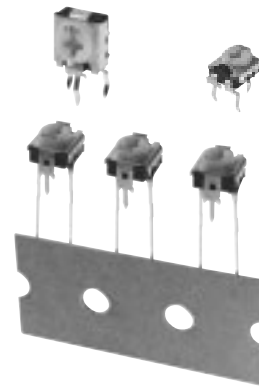


### 6FE Square Trimmer Potentiometers

Type: **EVND**

#### ■ Features

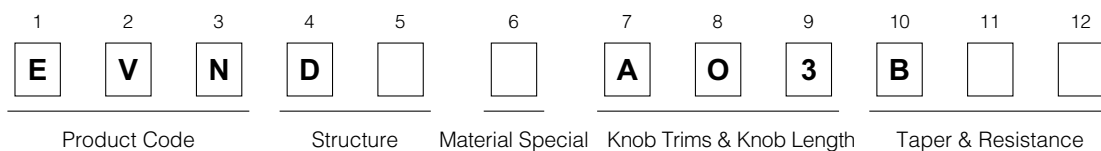
- Top-adjust or side-adjust available
- Radial taping supported
- High reliability (dustproof construction)



#### ■ Recommended Applications

- Audio Visual Equipment, Home Electrical Appliances

#### ■ Explanation of Part Numbers



#### ■ Specifications


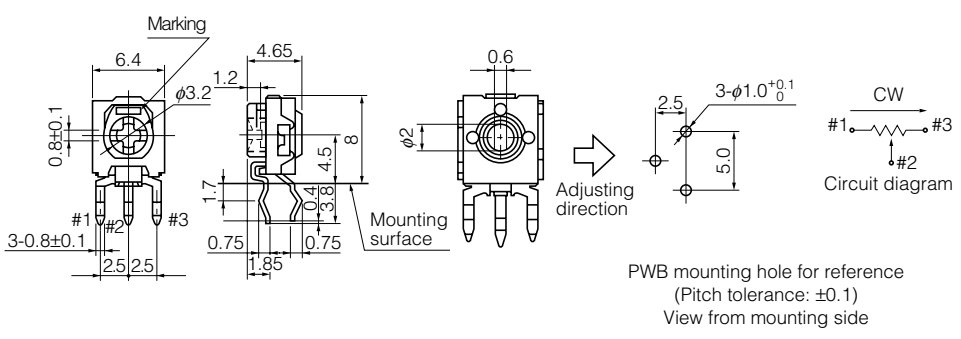
|                               |                                  |  |
|-------------------------------|----------------------------------|--|
| Electrical Specifications     | Nominal Total Resistance         | 1 k $\Omega$ , 2 k $\Omega$ , 5 k $\Omega$ , 10 k $\Omega$ , 20 k $\Omega$ , 50 k $\Omega$ , 100 k $\Omega$ , 200 k $\Omega$ , 500 k $\Omega$ , 1 M $\Omega$ |
|                               | Taper                            | B  |
|                               | Rating                           | R $\leq$ 500 k $\Omega$ : 0.1 W 50 V (50 °C)<br>R>500 k $\Omega$ : 0.1 W 25 V (50 °C)  |
|                               | Residual Resistance              | 1 k $\Omega$ $\leq$ R $\leq$ 2 k $\Omega$ : 60 $\Omega$ max.<br>2 k $\Omega$ <R $\leq$ 1 M $\Omega$ : 3 % max., or 200 $\Omega$ max. whichever smaller       |
| Mechanical Specifications     | Rotation Angle                   | 210 ° $\pm$ 20 °   |
|                               | Rotation Torque                  | 2 mN·m to 25 mN·m  |
|                               | Stopper Strength                 | Surface : 75 mN·m, reverse side : 35 mN·m  |
| Endurance                     | Operating Life                   | 100 cycles   |
|                               | Resistance to Soldering Heat     | 240 °C to 280 °C : 5 s max., 280 °C to 300 °C : 3 s max.   |
|                               | Resistance to Damp               | After 350 hours : R $\leq$ 100 k $\Omega$ +15 % -0 %,<br>: 100 k $\Omega$ <R $\leq$ 1 M $\Omega$ +20 % -0 %  |
|                               | Endurance under Damp             | After 350 hours : 1.5 h ON 0.5 h OFF<br>: R $\leq$ 100 k $\Omega$ $\pm$ 15 %,<br>: 100 k $\Omega$ <R $\leq$ 1 M $\Omega$ $\pm$ 20 %                          |
|                               | Endurance under High Temperature | 70 °C $\pm$ 3 °C After 250 hours +5 %, -15 %   |
| Minimum Quantity/Packing Unit |                                  | EVND2A, EVND8A : 500 pcs. Polyethylene Bag (Bulk)<br>EVNDJA, EVNDXA, EVNDCA : 1000 pcs. Radial Taping (Reel Pack)  |
| Quantity/Carton               |                                  | EVND2A, EVND8A : 5000 pcs.<br>EVNDJA, EVNDXA, EVNDCA : 10000 pcs.  |

Note : R=Nominal Total Resistance


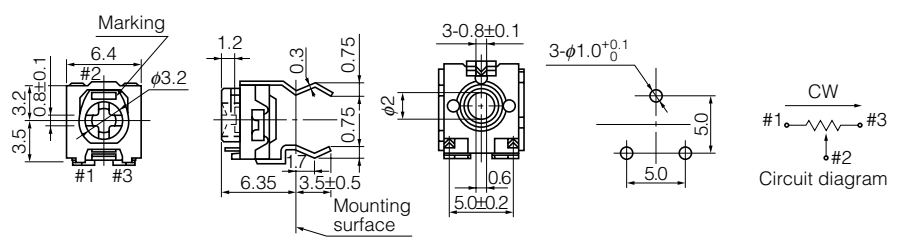
Design and specifications are each subject to change without notice. Ask factory for the current technical specifications before purchase and/or use. Should a safety concern arise regarding this product, please be sure to contact us immediately.

■ Dimensions in mm (not to scale)

● Side-adjust ..... EVND2A

|  |  |            |               |
|--|--|------------|---------------|
| <p>No. 1</p>  |  <p style="text-align: center;">PWB mounting hole for reference<br/>(Pitch tolerance: <math>\pm 0.1</math>)<br/>View from mounting side</p> <table border="1" style="width: 100%; margin-top: 10px;"> <tr> <td style="width: 50%;">Knob color</td> <td style="width: 50%;">Orange yellow</td> </tr> </table> | Knob color | Orange yellow |
| Knob color   | Orange yellow  |            |               |

● Top-adjust ..... EVND8A

|  |   |            |               |
|--|---|------------|---------------|
| <p>No. 2</p>  |  <p style="text-align: center;">PWB mounting hole for reference<br/>(Pitch tolerance: <math>\pm 0.1</math>)<br/>View from mounting side</p> <table border="1" style="width: 100%; margin-top: 10px;"> <tr> <td style="width: 50%;">Knob color</td> <td style="width: 50%;">Orange yellow</td> </tr> </table> | Knob color | Orange yellow |
| Knob color   | Orange yellow   |            |               |



## Looking for pricing, stock, or lifecycle information?

Click below to explore more details on WIN SOURCE:

- ⊖ [View EVND2AA03B14](#) on WIN SOURCE
- ⊖ [Panasonic](#) Information

## Optimize Your Supply Chain with WIN SOURCE Solutions

- ✓ Global Sourcing Solution
- ✓ Obsolete Management
- ✓ Cost Control Management
- ✓ Shortage Management
- ✓ Alternative Solution
- ✓ Excess Inventory Management