

■ Part number : BNCP-MHVJ

■ Drawing number : Z-0676769

■ Nominal

Standard : MIL-C-39012

Voltage rating : AC 500V

Rated frequency : 500MHz

Impedance : Non-constant

Operating temperature range : -40°C~+85°C

Operating humidity range : 95%(Max.) ※No condensation

■ Structural shape : Conformity with the drawings.

■ Electrical

Test Items	Test Method/Value	Remarks
Insulation resistance	5000M $\Omega$ (Min.) at DC 500V	
Withstanding voltage	1 minute at AC 1000V	
Contact resistance	Inner conductor : 1.5m $\Omega$ (Max.)(BNC)、2.0m $\Omega$ (Max.)(MHV) Outer conductor : 1.4m $\Omega$ (Max.)(BNC)、2.2m $\Omega$ (Max.)(MHV)	
VSWR	DC~500MHz : 1.1(Max.)	

■ Mechanical

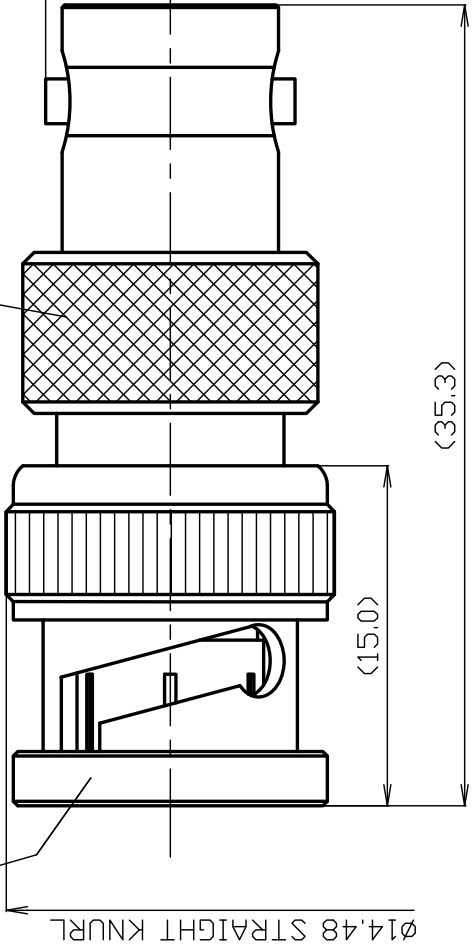
Test Items	Test Method/Value	Remarks
Compatibility	No defects or abnormalities	Connecting with a standard compliant connector
Tensile strength of coupling mechanism	445N	At axial tensile force
Center contact captivation	26.69N(Min.)	At axial tensile force
Center contact retaining force	0.56N(Min.)(MHV)	With a standard pin gauge

■ Revisions

No.	Date	Contents
1		
2		
3		

Date	Name
2025/03/18	テイエン(Prepared)
2025/03/18	山本(Inspected)
2025/03/18	檜澤(Approved)
2025/03/18	三村(Checked)

1 2 3 4 5 6 7 8 9 10



\*1:PHOSPHOR BRONZE

10	BODY	BRASS	1	Ni	
9	WASHER	BRASS	1	Ni	
8	INSULATOR B	PTFE	1	--	
7	CENTER PIN	*1	1	Au	
6	WASHER	FE	1	Ni	
5	SPRING	SK5	1	Ni	
4	INNER RETAINING RING	SK5	1	Ni	
3	GASKET	SILICONE	1	--	
2	INSULATOR A	PTFE	1	--	
1	SHELL	BRASS	1	Ni	
NO.	DESCRIPTION	MATERIAL	Q'TY	FINISH	REMARK

SCALE 3/1

UNIT mm

DATE 2025.03.18

DRAWN  
アエン  
'25.03.18  
テイエン

INSPECTED  
樽澤  
'25.03.18

APPROVED  
'25.03.18



PROJECTION  
第一角法



株式会社  
70-

## Looking for pricing, stock, or lifecycle information?

Click below to explore more details on WIN SOURCE:

-  [View BNCP-MHVJ on WIN SOURCE](#)
-  [TYCLON Information](#)

## Optimize Your Supply Chain with WIN SOURCE Solutions

-  Global Sourcing Solution
-  Obsolete Management
-  Cost Control Management
-  Shortage Management
-  Alternative Solution
-  Excess Inventory Management