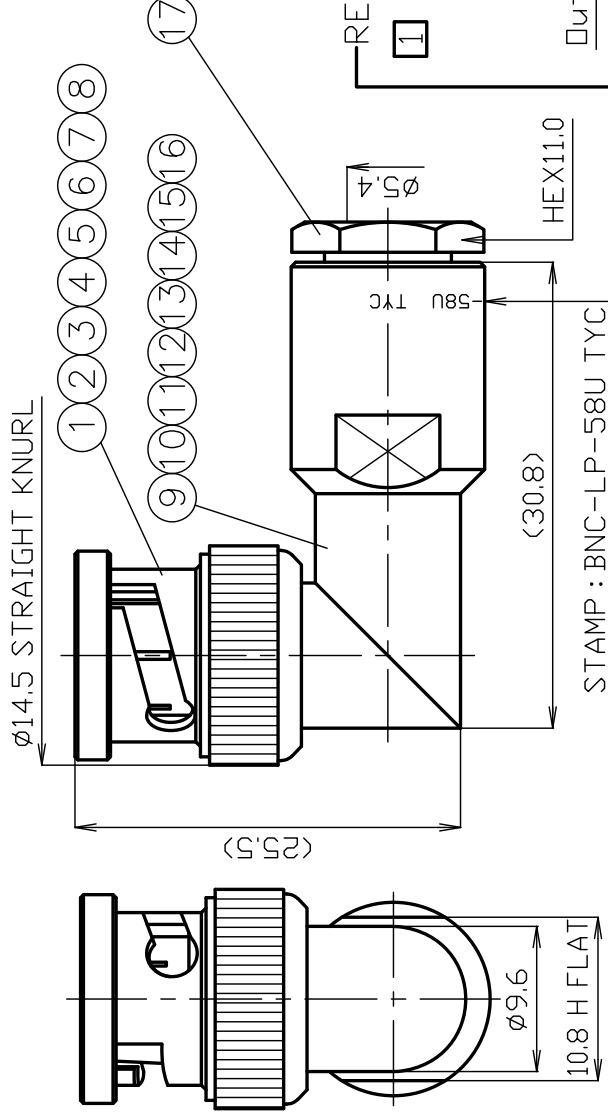




THE DATASHEET OF BNC-LP-58/U





*1: PHOSPHOR BRONZE

17	NUT	1	BRASS	1	Ni
16	WASHER	1	BRASS	1	Ni
15	GASKET	1	SILICONE	--	
14	CLAMP	1	BRASS	1	Ni
13	CENTER PIN C	1	BRASS	1	Au
12	BODY B	1	BRASS	1	Ni
11	BUSHING	1	BRASS	1	Ni
10	INSULATOR B	1	PTFE	1	--
9	CENTER PIN B	1	*1	1	Au
8	WASHER	1	FE	1	Ni
7	WAVE WASHER	2	SK5	2	Ni
6	HOLDING RING	1	SK5	1	Ni
5	GASKET	1	SILICONE	1	--
4	SHELL	1	ZnDC	1	Ni
3	BODY A	1	BRASS	1	Ni
2	INSULATOR A	1	PTFE	1	--
1	CENTER PIN A	1	BRASS	1	Au
NO.	DESCRIPTION	MATERIAL	Q'TY	FINISH	REMARK

SCALE 2/1

DRAWN 井出 '24.05.20

INSPECTED 檜澤 '24.05.20

APPROVED

UNIT mm

DATE 2024.05.20

PROJECTION

株式会社 70-

PRODUCT SPECIFICATIONS

Part No. BNC-LP-58/U

No. 0351850

DWG No. Y-0354847

To-Conne Co., Ltd. (TYC)

Nominal 1 Standard JIS C 5412
 2 Voltage rating AC 500V
 3 Frequency range 4GHz
 4 Impedance 50Ω

Checked	Inspected	Prepared
山	檜	栗
16.10.19	16.10.19	16.10.19
本	澤	原



		Test Items	Procedures/Test method	Requirements
1	DESIGN	Design & construction	Specified on relevant product drawing (DWG No. Y-0354847)	No defects or abnormalities
2		Materials		
3		Finishes		
4	ELECTRICAL	Insulation Resistance	DC 500V	1000MΩ (Min.)
5		Withstanding voltage	AC 1500V (1 minute.)	No defects or abnormalities
6		Contact resistance	The method of which, the voltage drop of the contact duration should not exceed 1-kHz AC or 1mV DC	3mΩ (Max.)
7	MECHANICAL	Compatibility	Connecting with a standard-compliant connector	No defects or abnormalities
8		Cable tensile strength	At axial tensile force 98N (Min.)	No defects or abnormalities
9		Tensile strength of coupling mechanism	At axial tensile force 245N	No defects or abnormalities
10		Cable group	RG-58/U、RG-58A/U	

GKQM-19-1

	Remarks	Date
1		
2		
3		

Looking for pricing, stock, or lifecycle information?

Click below to explore more details on WIN SOURCE:

-  [View BNC-LP-58/U on WIN SOURCE](#)
-  [TYCLON Information](#)

Optimize Your Supply Chain with WIN SOURCE Solutions

-  Global Sourcing Solution
-  Obsolete Management
-  Cost Control Management
-  Shortage Management
-  Alternative Solution
-  Excess Inventory Management