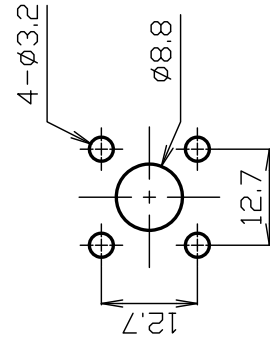
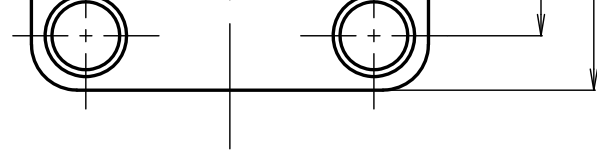
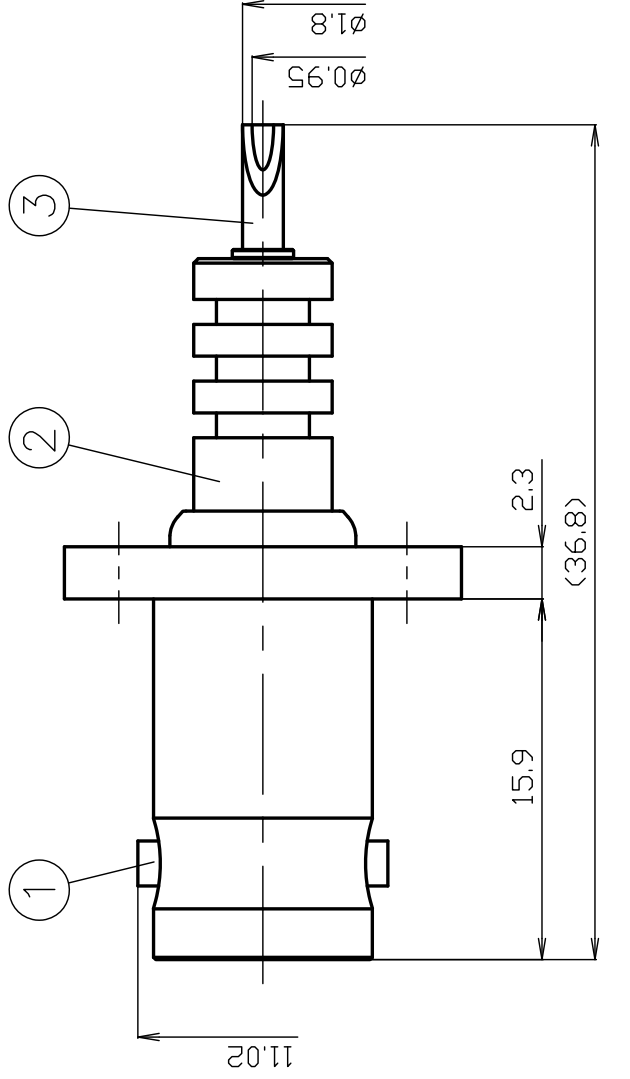




THE DATASHEET OF BNC-HV-R





MOUNTING HOLE(1/1)

*1: Phosphor bronze

7				SCALE	3/1	DRAWN	CHECKED	APPR
6						渡邊	檜	上
5						'23.06.13	'23.06.13	'23.06.13
4						直弘	澤	
3	CENTER PIN	*1	Au	UNIT	mm	PROJECTION		
2	INSULATOR	PTFE	--					
1	BODY	BRASS	Ni	DATE	2023.06.13			
NO.	DESCRIPTION	MATERIAL	Q'TY	FINISH	REMARK			

PRODUCT SPECIFICATION

Part number: BNC-HV-R

No. 0331610

Drawing number: X-0334180

Nominal 1 Standard MIL-STD-348A
 2 Voltage rating AC 1600V
 3 Impedance Mismatch
 4 Operating Tempure Range -40°C~+85°C



	Test Items	Procedures/Test Method	Requirements
1 S T R U C T U R E	Design and Construction	Specified on relevant product drawing (Drawing number: X-0334180)	No defects or abnormalities
	Materials		
	Finish		
4 E L E C T R I C A L	Insulation Resistance	DC 500V	1000 MΩ (Min.)
5	Withstand voltage	1 minute at AC 5000V	No defects or abnormalities
6	Contact resistance	The method of which, the voltage drop of the contact duration should not exceed about 1-kHz AC or 1mV DC	3mΩ (Max.)
7 M E C H A N I C A L	Compatibility	Mating with connector complying with the standard	No defects or abnormalities
8	Tensile strength of coupling mechanism	When axial tensile force of 245N is applied	2-stud should have no abnormalities



	REVISIONS	DATE
1		
2		
3		

Checked	Approved	Proof mark	Prepared
 23.06.13	 23.06.13	 23.06.13	 '23,06,13

GKQM-7

Looking for pricing, stock, or lifecycle information?

Click below to explore more details on WIN SOURCE:

-  [View BNC-HV-R on WIN SOURCE](#)
-  [TYCLON Information](#)

Optimize Your Supply Chain with WIN SOURCE Solutions

-  Global Sourcing Solution
-  Obsolete Management
-  Cost Control Management
-  Shortage Management
-  Alternative Solution
-  Excess Inventory Management