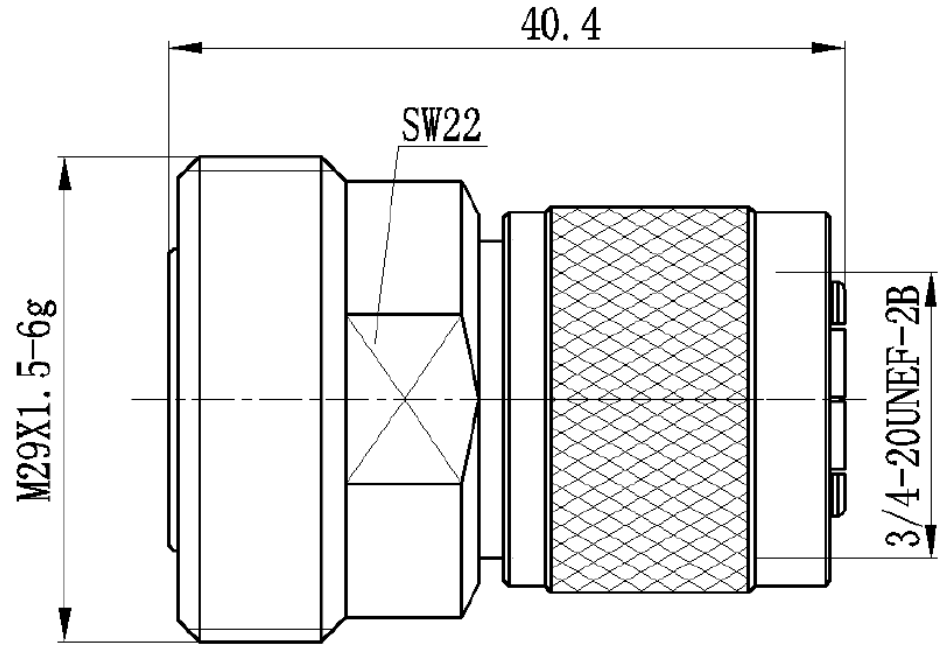


Reference Drawing



Interface

According to IEC 60169-4 HN

Electrical

Characteristic Impedance 50 ohm
 Frequency Range DC-3GHz
 VSWR ≤ 1.10
 Insertion Loss $\leq 0.05 * \sqrt{fdB}$
 Dielectric Withstanding Voltage $\geq 2500V$ RMS,50Hz,at sea level
 Dielectric Resistance $\geq 5000M \Omega$

Mechanical

Durability Mating cycles ≥ 500 cycles

Material and plating

	Material	plating
Body	Brass	Tri-Alloy
Center conductor	phosphor bronze	Ag
Insulator	PTFE	-

Environmental

Temperature Range $-40^{\circ}C \sim +85^{\circ}C$
 Rosh-compliance Full ROHS compliance
 Salt-fog test 96h

RoHS Compliant $Cd \leq 75ppm$	
REMARKS	BRASS: $Cd \leq 75ppm$ PHOSPHOR BRONZE: $Pb < 4wt\%$

SCALE NONE		PART NUMBER
UNIT mm		7/16J-HNP
DATE 2025/04/25	PROJECTION 	TO-CONNE CO.,LTD

Looking for pricing, stock, or lifecycle information?

Click below to explore more details on WIN SOURCE:

 [View 7/16J-HNP on WIN SOURCE](#)

 [TYCLON Information](#)

Optimize Your Supply Chain with WIN SOURCE Solutions

-  Global Sourcing Solution
-  Obsolete Management
-  Cost Control Management
-  Shortage Management
-  Alternative Solution
-  Excess Inventory Management