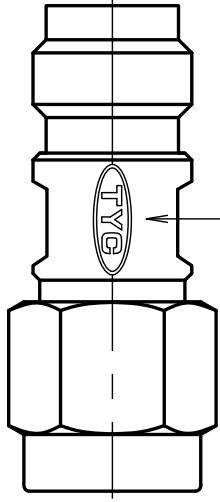




THE DATASHEET OF 2.4J-K292P

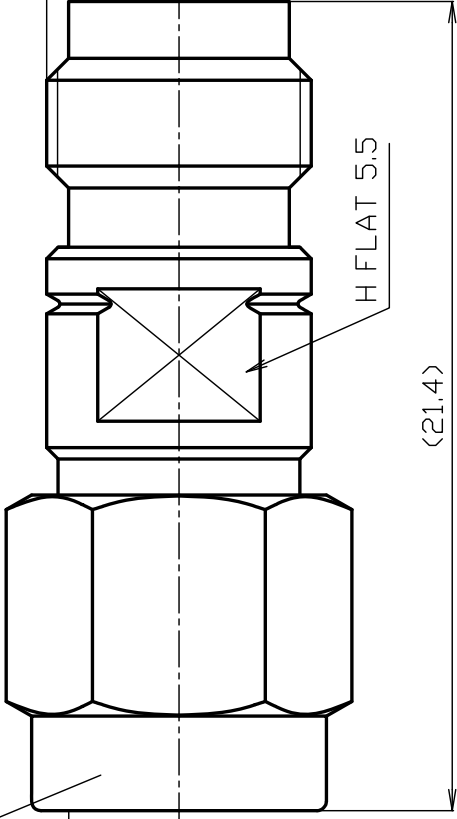


MZ PN 75-63



STAMP: TYG

①②③④⑤⑥



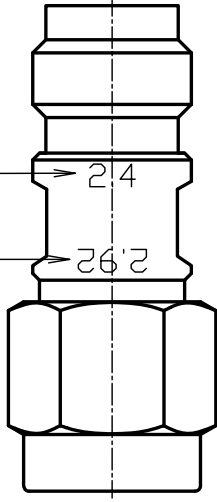
1/4-36UNS-2B

H FLAT 5.5

<21.4>

STAMP: 2.92

STAMP: 2.4



- *1 PASSIVATE STEEL
- *2 STAINLESS COPPER
- *3 BERYLLIUM COPPER

NO.	DESCRIPTION	MATERIAL	Q'TY	FINISH	REMARK	DATE	UNIT	SCALE	DRAWN	INSPECTED	APPR
6	BUSHING	*2	1	*1		2024.04.01	mm	5/1	上領	檜澤	1
5	INSULATOR	PEI	1	--							
4	CENTER PIN	*3	1	Au							
3	BODY	*2	1	*1							
2	HOLDING RING	*3	1	Ni							
1	COUPLING NUT	*2	1	*1							

PROJECTION



株式会社 70-

PRODUCT SPECIFICATIONS

Part number : 2.4J-K292P

No. 0642559

Drawing number : U-0646357

Nominal	1 Standard	IEC 61169-40、IEC 61169-35
	2 Voltage rating	AC 160V
	3 Rated frequency	40GHz
	4 Impedance	50Ω
	5 Operating temperture range	-40°C~+85°C



		Test Items	Test Method/Value	Remarks
1	E L E C T R I C A L	Insulation resistance	1000MΩ(Min.) at DC 500V	
2		Withstanding voltage	1 minute at AC 500V	
3		Contact resistance	Inner conductor : 4.0mΩ(2.4mm Max.) 3.0mΩ(2.92mm Max.) Outer conductor : 2.5mΩ(2.4mm Max.) 2.0mΩ(2.92mm Max.)	
4		V.S.W.R	DC~40GHz : 1.25(Max.)	
5	M E C H A N I C A L	Compatibility	No defects or abnormalities	Connecting with a standard-compliant connector
6		Tensile strength of coupling mechanism	450N(2.4mm) 100N(2.92mm)	At axial tensile force
7		Center contact retaining force	0.25N(Min.)	With a standard pin gauge
8		Coupling torque	0.8N·m ~ 1.1N·m	
9				
10	O T H E R S			
11				



※The structural shape is shown in the attached drawing (Drawing number:U-0646357)

	REVISIONS	DATE
1		
2		
3		

Checked	Approved	Inspected	Prepared

Looking for pricing, stock, or lifecycle information?

Click below to explore more details on WIN SOURCE:

-  [View 2.4J-K292P on WIN SOURCE](#)
-  [TYCLON Information](#)

Optimize Your Supply Chain with WIN SOURCE Solutions

-  Global Sourcing Solution
-  Obsolete Management
-  Cost Control Management
-  Shortage Management
-  Alternative Solution
-  Excess Inventory Management