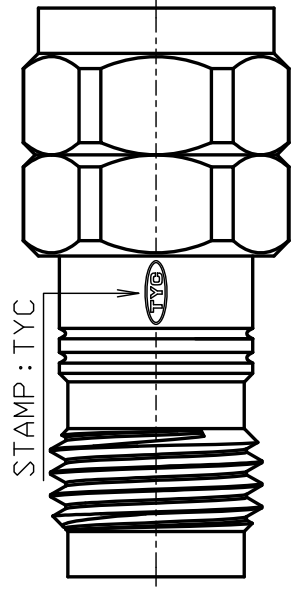




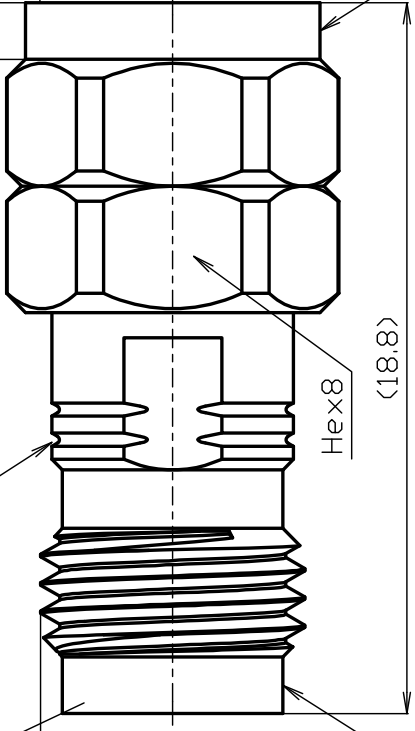
THE DATASHEET OF
1.85J-2.4P





①②③④⑤⑥

GROOVE 2

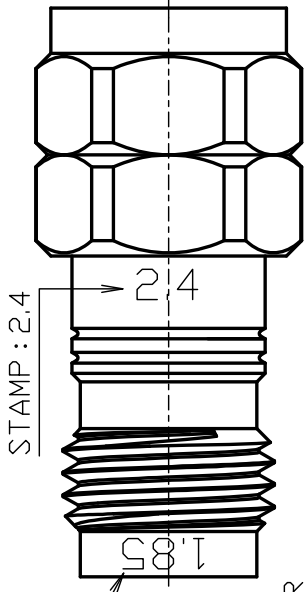


Hex8

(18.8)

M7 P0.75-6g

1.85mm JACK



STAMP : 2.4

STAMP : 1.85

- *1 PASSIVATE
- *2 STAINLESS STEEL
- *3 BERYLLIUM COPPER

NO.	DESCRIPTION	MATERIAL	Q'TY	FINISH	REMARK	DATE	UNIT	SCALE	DRAWN	INSPECTED	APPR
7						2024.04.01	mm	5/1	上領	檜澤	'24.04.01
6	BUSHING	*2	1	*1							
5	INSULATOR	PEI	1	--							
4	CENTER PIN	*3	1	Au							
3	BODY	*2	1	*1							
2	HOLDING RING	*3	1	Ni							
1	COUPLING NUT	*2	1	*1							
	PROJECTION										



株式会社 70-

PRODUCT SPECIFICATIONS

Part number: 1.85J-2.4P

No. 0642581

Drawing number: U-0646392





Nominal 1 Standard IEC61169-39, IEC61169-40
 2 Voltage rating AC 160V
 3 Rated frequency 50GHz
 4 Impedance 50Ω
 5 Operating temprure range -40°C~+85°C



		Test Items	Test Method/Value	Remarks
1 E L E C T R I C A L		Insulation resistance	5000MΩ(Min.) at DC 500V	
	2	Withstanding voltage	1 minute at AC 500V	
	3	Contact resistance	Inner conductor : 4.0mΩ(Max.) Outer conductor : 2.5mΩ(Max.)	
	4	V.S.W.R	DC~50GHz : 1.3(Max.)	
5 M E C H A N I C A L		Compatibility	No defects or abnormalities	Connecting with a standard-compliant connector
	6	Tensile strength of coupling mechanism	447N(1.85mm) 450N(2.4mm)	At axial tensile force
	7	Center contact retaining force	0.25N(Min.)	With a standard pin gauge
	8	Coupling torque	0.8N·m ~ 1.1N·m	
	9			
10 O T H E R S	11			

※The structural shape is shown in the attached drawing (Drawing number:U-0646392)

	REVISIONS	DATE
1		
2		
3		

Checked	Approved	Inspected	Prepared
 三 24.04.02 村	 山 24.04.02 本	 檜 24.04.02 澤	 上 24.04.02 領

GKQM-24

Looking for pricing, stock, or lifecycle information?

Click below to explore more details on WIN SOURCE:

 [View 1.85J-2.4P on WIN SOURCE](#)

 [TYCLON Information](#)

Optimize Your Supply Chain with WIN SOURCE Solutions

-  Global Sourcing Solution
-  Obsolete Management
-  Cost Control Management
-  Shortage Management
-  Alternative Solution
-  Excess Inventory Management