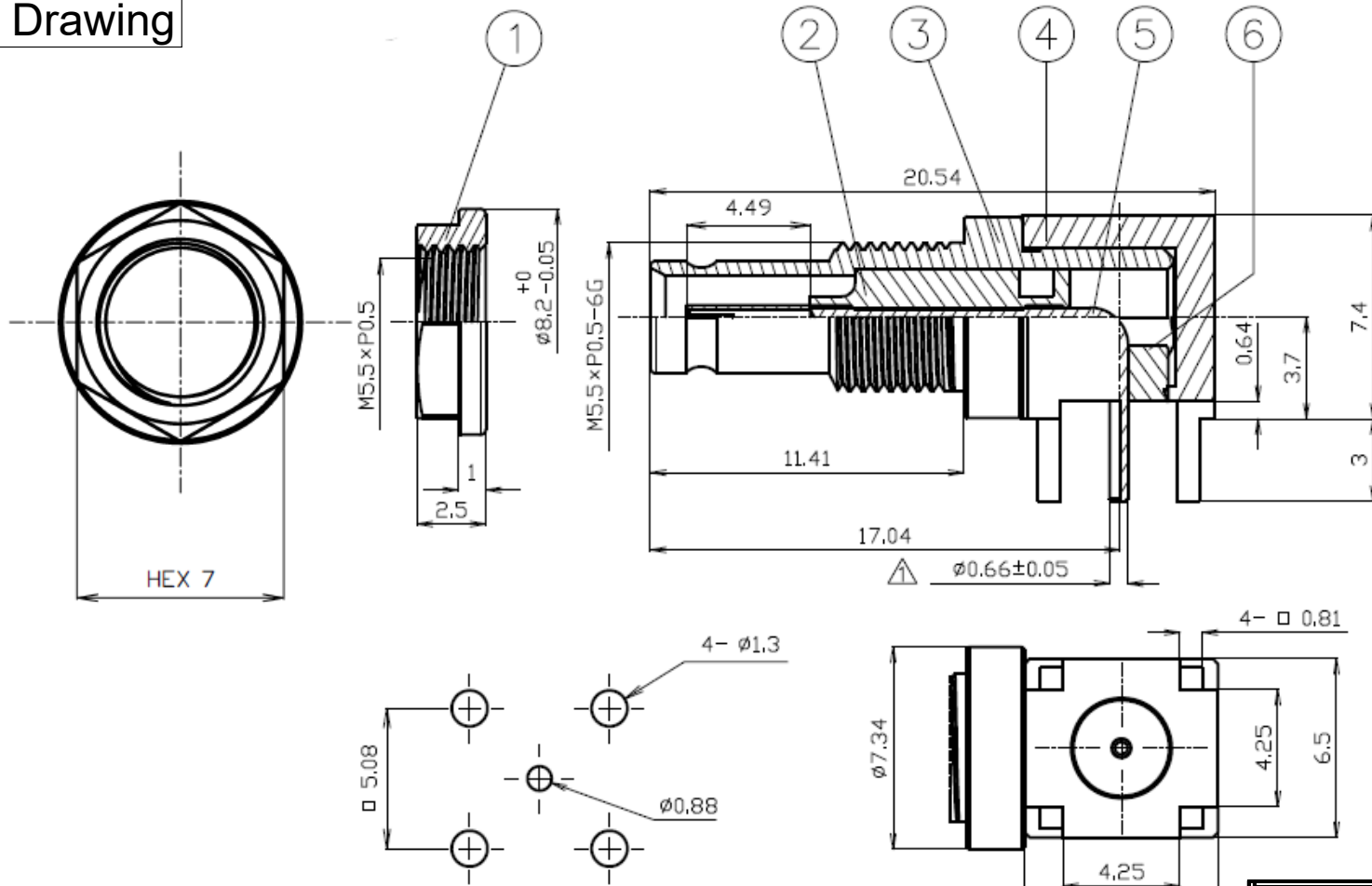


# Reference Drawing



Mounting Hole Reference Dimensions

RoHS Compliant		Cd ≤75ppm
REMARKS	BRASS: Cd ≤75ppm PHOSPHOR BRONZE: Pb <4wt%	

6	INSULATOR B	PTFE	1	-
5	CENTER PIN	BERYLLIUM COPPER	1	Au
4	BODY B	BRASS	1	Au
3	BODY A	BRASS	1	Au
2	INSULATOR A	PTFE	1	-
1	NUT	BRASS	1	Ni
No.	DESCRIPTION	MATERIAL	Q'TY	FINISH

SCALE NONE		PART NUMBER
UNIT mm		1.0/2.3-LBR-PCB
DATE 2025/04/22	PROJECTION 	TO-CONNE CO.,LTD

## Looking for pricing, stock, or lifecycle information?

Click below to explore more details on WIN SOURCE:

[View 1.0/2.3-LBR-PCB on WIN SOURCE](#)

[TYCLON Information](#)

## Optimize Your Supply Chain with WIN SOURCE Solutions

- ✓ Global Sourcing Solution
- ✓ Obsolete Management
- ✓ Cost Control Management
- ✓ Shortage Management
- ✓ Alternative Solution
- ✓ Excess Inventory Management