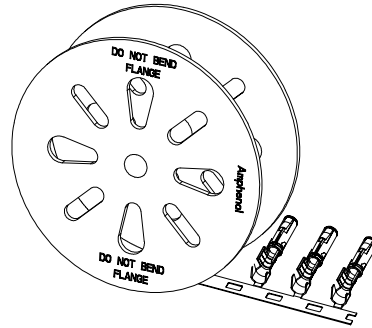




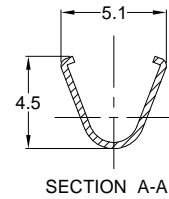
THE DATASHEET OF
SS12A1T-10



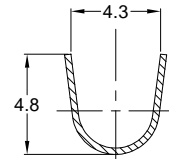
REVISIONS					
REV	ECO	DESCRIPTION	DATE	BY	APPR
A1	-	RELEASED DRAWING	SEP-7-16	BEN	TOMMY
A2	-	UPDATIBG DRAWING	SEP-14-16	FLAN	TOMMY
A3	-	UPDATE CONTACT ORIENTATION ON ROLL	MAY-18-23	RONALD	TOMMY
A4	-	INSTRUCTIONS FOR ADDING PACKING QTY	FEB-20-25	ALLEN	TOMMY



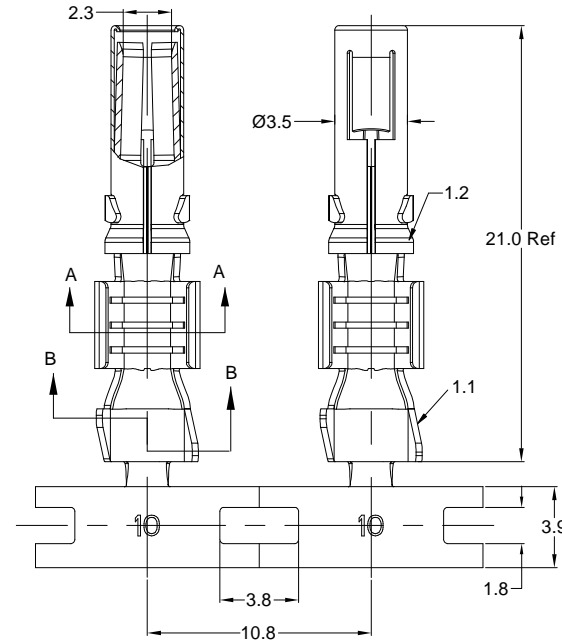
CONTACT ORIENTATION ON ROLL
 (A4) (1000PCS / REEL)



SECTION A-A



SECTION B-B



NOTES: (UNLESS OTHERWISE SPECIFIED)

1. MATERIAL:

- 1.1. CONTACT BODY: COPPER ALLOY.
- 1.2. OUTER SPRING: STAINLESS STEEL.

2. SPECIFICATIONS:

- 2.1 CURRENT RATING: 23A MAX.
- 2.2 TERMINATION TYPE: CRIMPING.
- 2.3 WIRE RANGE: 10AWG(4.0mm²).
- 2.4 WIRE INSULATION DIA(MAX): Ø4.3mm.

3. RoHS COMPLIANT.

4. ALL DIMENSIONS ARE FOR REFERENCE USE ONLY.

5. AVAILABLE TOOLS: EXTRACTION TOOL: QXRT12

P/N	CONTACT PLATING(MATING AREA)
SS12A1T-10	TIN PLATING OVER NICKEL.
SS12A1F-10	GOLD FLASH PLATING OVER NICKEL.
SS12A1G10-10	10µ"GOLD PLATING OVER NICKEL.
SS12A1G15-10	15µ"GOLD PLATING OVER NICKEL.
SS12A1G30-10	30µ"GOLD PLATING OVER NICKEL.

QUANTITY	PART NUMBER	DESCRIPTION	ITEM
MATERIALS LIST			
UNLESS OTHERWISE SPECIFIED 1) All dimensions are in metric(mm). 2) Tolerances are as follows: 1 PL DEC ±0.30 2 PL DEC ±0.15 3 PL DEC ±0.08 Fractions ±1/64 Angles ±1° 3) Note reference =		SIGNATURES DATE DRAWN: ALLEN FEB-20-25 CHECKED: ORION FEB-21-25 ENGINEER: APPROVAL: TOMMY FEB-21-25 CUSTOMER:	
MATERIAL SPECIFICATIONS: PROCESS SPECIFICATIONS:		THIS DRAWING IS SUPPLIED FOR INFORMATION ONLY. DESIGN FEATURES, SPECIFICATIONS AND PERFORMANCE DATA SHOWN HEREON ARE THE PROPERTY OF THE AMPHENOL CORPORATION. NO RIGHTS OF REPRODUCTION ARE IMPLIED. ALL DIMENSIONS ARE SUBJECT TO NORMAL MANUFACTURING VARIATIONS.	
NEXT ASSY:		SIZE B C-	REVISION A4
SCALE NONE		DWG NO: SS12A1xx-10	SHEET 1 OF 1

Amphenol



Sine Systems - www.amphenol-sine.com
 44724 Morley Drive
 Clinton Township, MI 48036

ECO-MATE, SOCKET CONTACT,
 STAMPED, 4.0mm2, 2.5mm CONTACT

TITLE: ECO-MATE SOCKET CONTACT, STAMPED, 4.0mm², 2.5mm
 DWG NO.: SS12A1xx-10
 REV: A4
 SH: 1
 OF: 1

Looking for pricing, stock, or lifecycle information?

Click below to explore more details on WIN SOURCE:

-  [View SS12A1T-10 on WIN SOURCE](#)
-  [Amphenol Sine Systems Corp Information](#)

Optimize Your Supply Chain with WIN SOURCE Solutions

-  Global Sourcing Solution
-  Obsolete Management
-  Cost Control Management
-  Shortage Management
-  Alternative Solution
-  Excess Inventory Management