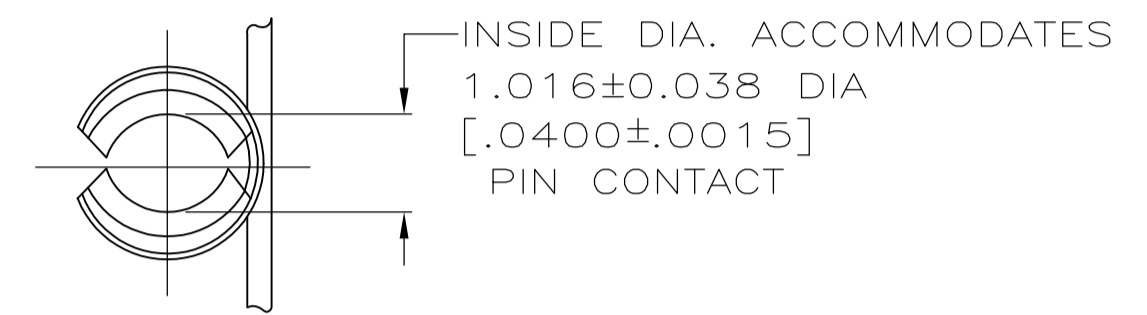
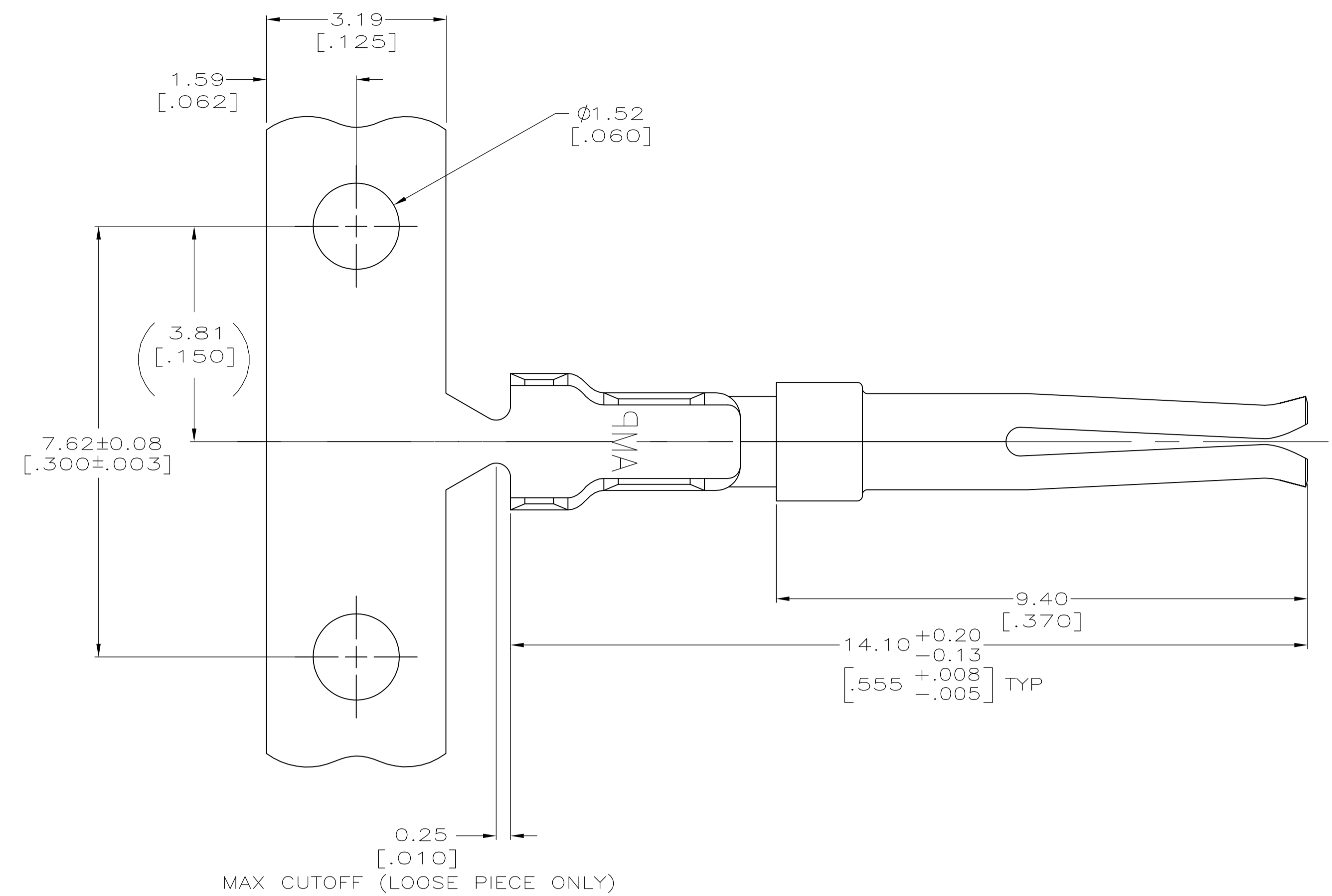


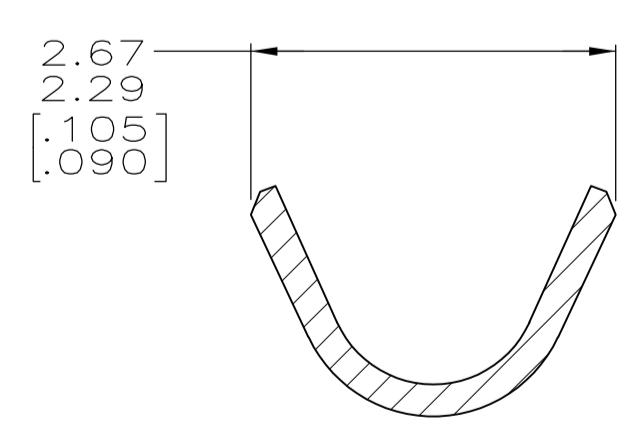
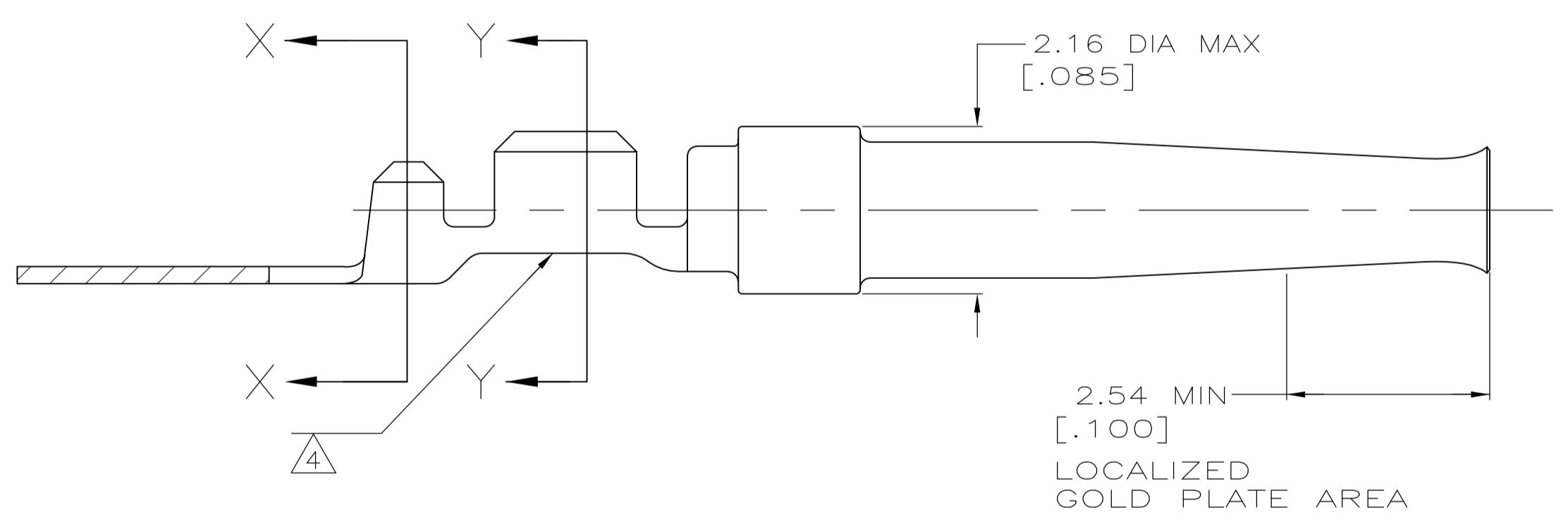


THE DATASHEET OF
1658543-3

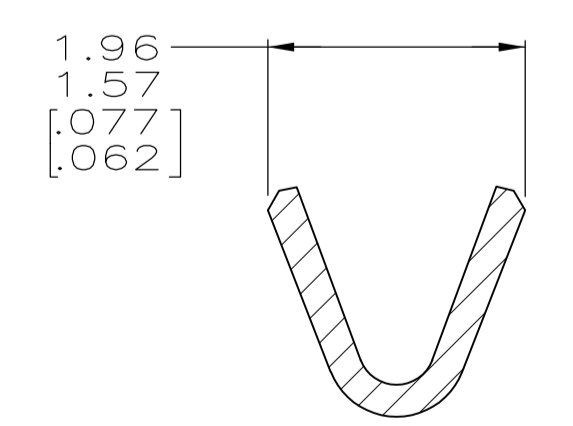




- 1 FOR MINI-APPLICATOR CRIMPING.
- 2 WIRE RANGE IS 22-26 AWG AND INSULATION RANGE IS 1.02/1.27 [.040/.050].
- 3 PLATED WITH 0.76μm [.000030] GOLD ON INSIDE OF LOCALIZED GOLD PLATE AREA, 2.54μm [.000100] TIN ON CRIMP BARRELS, ALL OVER 1.27μm [.000050] NICKEL UNDERPLATE.
-OR-
GOLD FLASH OVER PALLADIUM-NICKEL 0.76μm [.000030] TOTAL ON INSIDE OF LOCALIZED GOLD PLATE AREA, 2.54μm [.000100] TIN ON CRIMP BARRELS, ALL OVER 1.27μm [.000050] NICKEL UNDERPLATE.
- 4 COLOR CODE YELLOW IN THIS AREA INDICATES 22-26 AWG WIRE RANGE. ONLY LOOSE PIECE PART NUMBERS ARE COLOR CODED.
- 5 TIN PLATING MAY NOT APPEAR ON CARRIER STRIP.
- 6 GOLD FLASH ON INSIDE OF LOCALIZED PLATE AREA, 2.54μm [.000100] TIN PLATED ON CRIMP BARRELS, ALL OVER 1.27μm [.000050] NICKEL UNDERPLATE.



SECTION X-X
INSULATION BARREL
SCALE 20:1



SECTION Y-Y
WIRE BARREL
SCALE 20:1

STANDARD	6	STRIP	1	1658543-3
STANDARD	3	STRIP	1	1658543-2
STANDARD	3	LOOSE PIECE		1658543-1
PACKAGING TYPE	FINISH	TYPE	PART NUMBER	

THIS DRAWING IS A CONTROLLED DOCUMENT.		DIN L VARELA - DOCKS 11-17-04		Tyco Electronics Corporation	
DIMENSIONS: INCHES		CHK J. GFRACE 11-17-04		Harrisburg, PA 17105-3608	
TOLERANCES UNLESS OTHERWISE SPECIFIED:		APVD M. WALMSLEY 11-17-04		NAME	
0. PLC ± -	1. PLC ± -	PRODUCT SPEC		SOCKET CONTACT, 20 DF, 22-26 AWG, AMPLIMITE	
2. PLC ± 0.13 [.005]	3. PLC ± -	APPLICATION SPEC		-	
4. PLC ± -	ANGLES ± °	SIZE 114-10000		RESTRICTED TO	
MATERIAL PHOS BRONZE	FINISH SEE TABLE	WEIGHT -		SCALE 15:1 SHEET 1 OF 1 REV D	
CUSTOMER DRAWING		A1 00779 C=1658543		-	

Looking for pricing, stock, or lifecycle information?

Click below to explore more details on WIN SOURCE:

 [View 1658543-3 on WIN SOURCE](#)

 [TE Connectivity](#) Information

Optimize Your Supply Chain with WIN SOURCE Solutions

-  Global Sourcing Solution
-  Obsolete Management
-  Cost Control Management
-  Shortage Management
-  Alternative Solution
-  Excess Inventory Management