



**THE DATASHEET OF**  
**D-602-0146**



D-602-0146 ✓ ACTIVE

RAYCHEM

TE Internal #: 391903-000

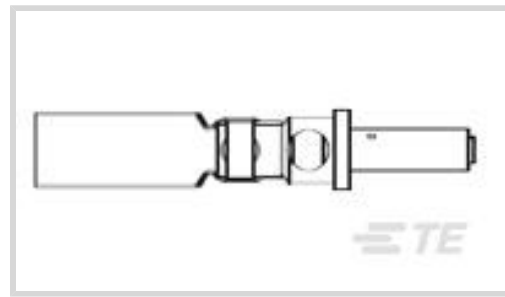
Twisted Pair, Pin, Size 12 Contact Size, 22 – 26 AWG, .34 – .14 mm<sup>2</sup>

Wire, Shielded Contacts

[View on TE.com >](#)



Wire Protection & Management > Interconnect Devices > Shielded Contacts



Compatible With Wire & Cable Type: **Twisted Pair**

Contact Type: **Pin**

Contact Size: **Size 12**

Wire Size: **22 – 26 AWG**

## Features

### Configuration Features

Compatible With Wire & Cable Type	Twisted Pair
-----------------------------------	--------------

### Contact Features

Contact Type	Pin
Contact Size	Size 12

### Dimensions

Wire Size	22 – 26 AWG
-----------	-------------

### Usage Conditions

Operating Temperature (Max)	150 °C
-----------------------------	--------

### Industry Standards

Military Standard	MIL-C-38999 I, III, IV
-------------------	------------------------

## Product Compliance

[For compliance documentation, visit the product page on TE.com>](#)

EU RoHS Directive 2011/65/EU	Not Compliant
EU ELV Directive 2000/53/EC	Not Compliant
China RoHS 2 Directive MIIT Order No 32, 2016	Restricted Materials Above Threshold
EU REACH Regulation (EC) No. 1907/2006	Current ECHA Candidate List: JAN 2025 (247) Candidate List Declared Against: JUNE 2024 (241) SVHC > Threshold:



Pb (37% in Solder)

Article Safe Usage Statements:

Do not eat, drink or smoke when using this product. Wash thoroughly after handling. Recycle if possible and dispose of the article by following all applicable governmental regulations relevant to your geographic location.

Halogen Content

BFR/CFR/PVC Free, but Br/Cl >900 ppm in other sources.

Solder Process Capability

Not applicable for solder process capability

Product Compliance Disclaimer

This information is provided based on reasonable inquiry of our suppliers and represents our current actual knowledge based on the information they provided. This information is subject to change. The part numbers that TE has identified as EU RoHS compliant have a maximum concentration of 0.1% by weight in homogenous materials for lead, hexavalent chromium, mercury, PBB, PBDE, DBP, BBP, DEHP, DIBP, and 0.01% for cadmium, or qualify for an exemption to these limits as defined in the Annexes of Directive 2011/65/EU (RoHS2). Finished electrical and electronic equipment products will be CE marked as required by Directive 2011/65/EU. Components may not be CE marked. Additionally, the part numbers that TE has identified as EU ELV compliant have a maximum concentration of 0.1% by weight in homogenous materials for lead, hexavalent chromium, and mercury, and 0.01% for cadmium, or qualify for an exemption to these limits as defined in the Annexes of Directive 2000/53/EC (ELV). Regarding the REACH Regulation, the information TE provides on SVHC in articles for this part number is based on the latest European Chemicals Agency (ECHA) 'Guidance on requirements for substances in articles' posted at this URL: <https://echa.europa.eu/guidance-documents/guidance-on-reach>

## Compatible Parts



TE Part # CL0313-000  
2524E0114-5



TE Part # CL5219-000  
0024S1614-9



TE Part # EH7277-000  
0026K0214-9



TE Part # 180972-001  
2526D1114-9



TE Part # 4451563001  
2524E0314-9



TE Part # 237899-000  
0018D0811-0



TE Part # CM6170-000  
0024A0311-9



TE Part # 5812693001  
2020E0811-0



TE Part # 4419443001  
0024A0311-9



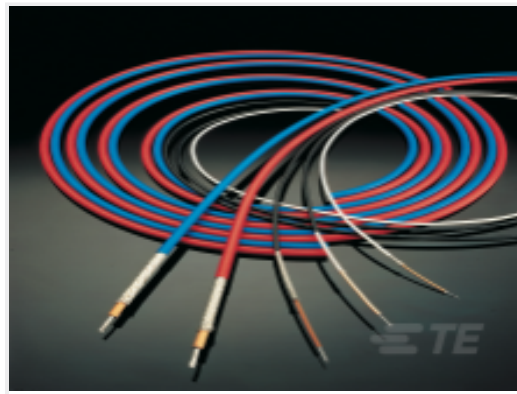
TE Part # CY9641-000  
0024S1664-9



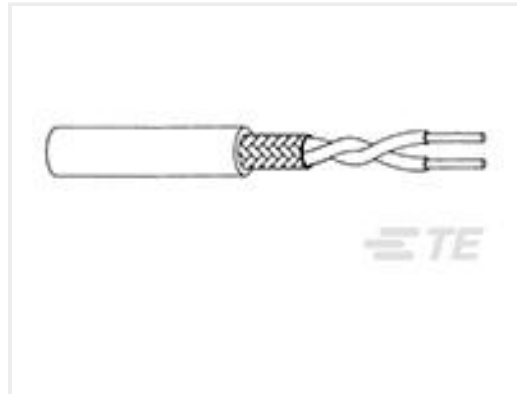
TE Part # 4451733004  
2524E0311-0



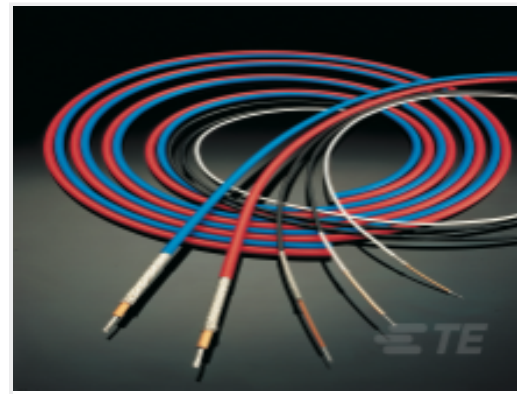
TE Part # 4451823005  
2524E0311-9



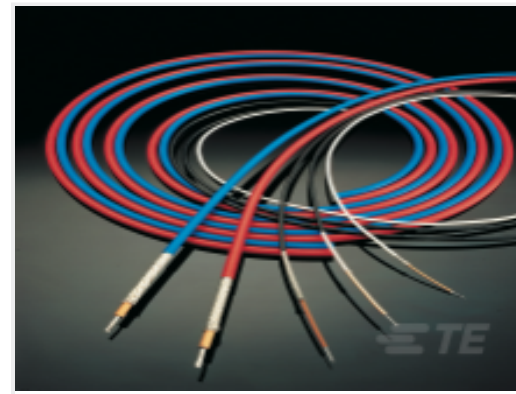
TE Part # 603565-000  
2526E1114-9



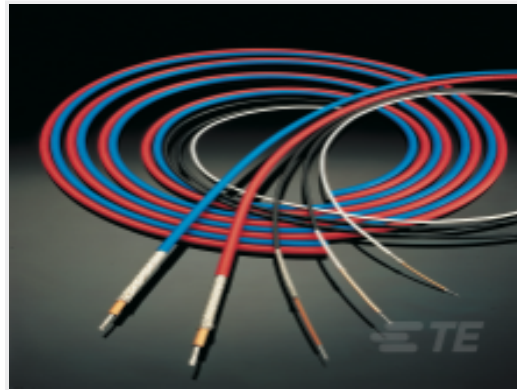
TE Part # 234062-002  
2524E0114-9



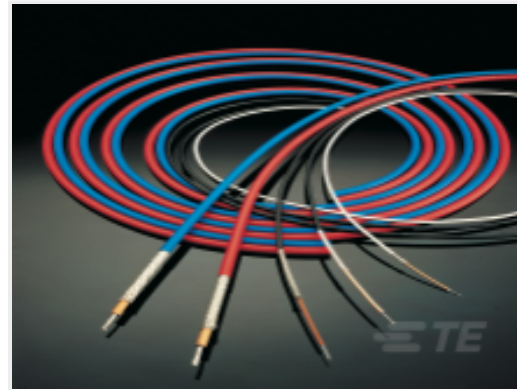
TE Part # 541183-000  
2524E0524-5



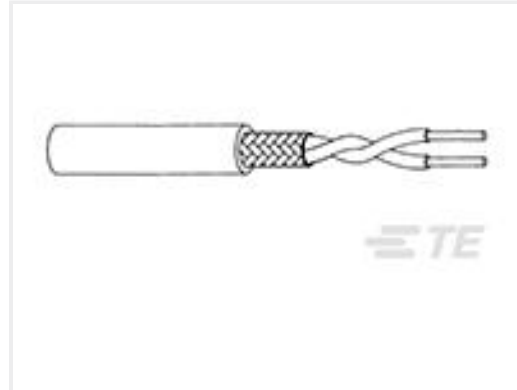
TE Part # CX1180-000  
0026A0014-9



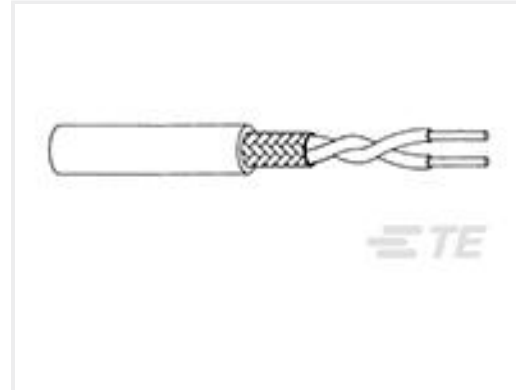
TE Part # E24626-000  
0028G1214-9



TE Part # 144278-000  
7820G0111-9

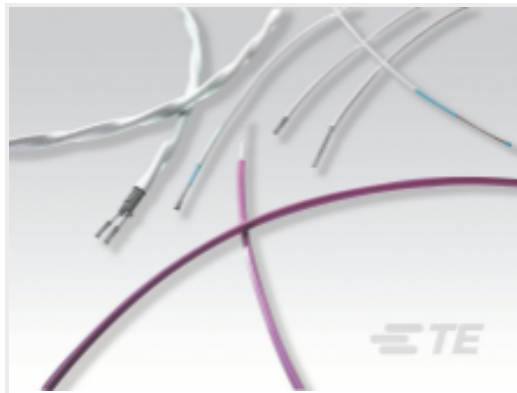


TE Part # 158269-000  
2524E0524-9



TE Part # 4451903001  
0024A0311-0

### Customers Also Bought



TE Part #CAT-AS22759-32  
SAE AS22759: 32/33/44/45/46 - Single-Wall, Lightweight Wire



TE Part #ASDD006-09SN-HE  
RECEPTACLE ASSEMBLY ASL 9-WAY



TE Part #324159  
TERM, RING, PIDG, 16-14, #4



TE Part #D369-STB-3  
369 3 WAY BACKSHELL STRAIGHT TIE WRAP



TE Part #644807-000  
55A1121-22-9/96-9CS2275



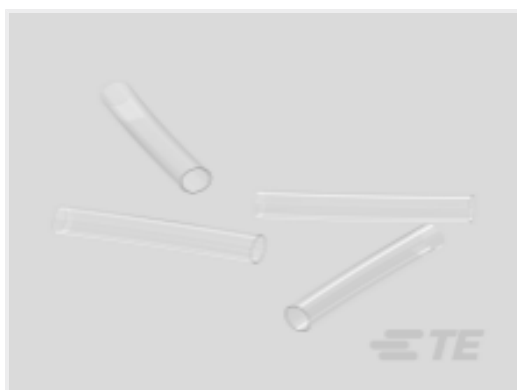
TE Part #53416-1  
TERMINAL,PIDG PVF2 R 16-14 6



TE Part #644807-000  
55A1121-22-9/96-9CS2275



TE Part #676516-000  
S03-03-R



TE Part #NB15982001  
RT-375-1/4-X-STK

### Documents



### Product Drawings

[D-602-0146](#)

English

---

### Datasheets & Catalog Pages

[1654025\\_Sec8\\_D-602](#)

English

---

### Product Specifications

[SolderTact Military-Grade Electrical Contacts for Solder Termination](#)

English

[Workmanship Standard for SolderTact Contacts](#)

English

[Termination Procedure for 12, Series 999 SolderTact Contacts for Twisted Pair Cable: D-602-0146, -0147](#)

English

Looking for pricing, stock, or lifecycle information?

Click below to explore more details on WIN SOURCE:

[View D-602-0146 on WIN SOURCE](#)

[TE Connectivity Information](#)

### Optimize Your Supply Chain with WIN SOURCE Solutions

- ✓ Global Sourcing Solution
- ✓ Obsolete Management
- ✓ Cost Control Management
- ✓ Shortage Management
- ✓ Alternative Solution
- ✓ Excess Inventory Management