

61844-1 ✓ ACTIVE

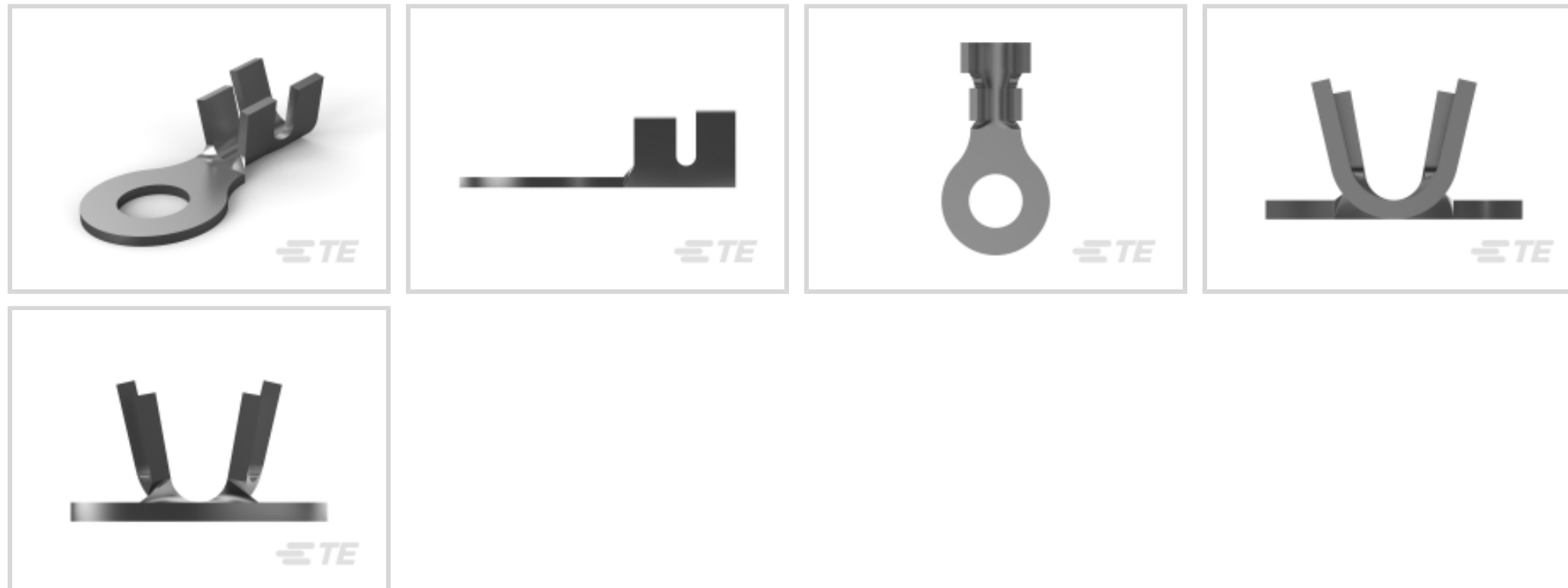
TE Internal #: 61844-1

Closed Ring Tongue Terminal, 12 – 10 AWG, 1/4 Stud, 6.35 mm [.25 in] Stud Diameter, Open Barrel, Straight, Tin Plating, Uninsulated

[View on TE.com >](#)



Terminals & Splices > Ring Terminals



Ring Terminal Product Type: Closed Ring Tongue Terminal

Wire Size: 6529 – 10382 CMA

Stud Size: 1/4

Features

Product Type Features

Shape Description	Circular/Oval
Ring Terminal Product Type	Closed Ring Tongue Terminal
Stud Size	1/4
Sealable	No
Compatible With Discrete Wire Type	Stranded
Wire Insulation Support Retention Type	Insulation Support

Configuration Features

Number of Holes	1
-----------------	---

Contact Features

Contact Base Material	Copper
Barrel Type	Open
Terminal Orientation	Straight
Terminal Plating Material	Tin
Contact Underplating Material	Nickel

Mechanical Attachment

Wire Insulation Support	With
-------------------------	------



Dimensions

	.15 in
Wire Size	6529 – 10382 CMA
Stud Diameter	6.35 mm [.25 in]
Tongue Thickness	1.02 mm [.04 in]
Product Length	26.67 mm [1.05 in]
Barrel Inside Diameter	3.04 mm, 4.82 mm [.12 in] [.19 in]
Compatible Insulation Diameter (Max)	5.33 mm [.21 in]
Compatible Insulation Diameter Range	3.81 – 5.33 mm [.15 – .21 in]

Usage Conditions

Insulation Option	Uninsulated
Operating Temperature Range	-40 – 110 °C [-40 – 230 °F]

Operation/Application

Compatible With Wire Base Material	Copper
------------------------------------	--------

Industry Standards

Government Qualified Terminal	No
-------------------------------	----

Packaging Features

Packaging Quantity	3000
Packaging Method	Strip/Reel

Product Compliance

[For compliance documentation, visit the product page on TE.com>](#)

EU RoHS Directive 2011/65/EU	Compliant
EU ELV Directive 2000/53/EC	Compliant
China RoHS 2 Directive MIIT Order No 32, 2016	No Restricted Materials Above Threshold
EU REACH Regulation (EC) No. 1907/2006	Current ECHA Candidate List: JAN 2025 (247) Candidate List Declared Against: JUNE 2024 (241) Does not contain REACH SVHC
Halogen Content	Low Halogen - Br, Cl, F, I < 900 ppm per homogenous material. Also BFR/CFR/PVC Free
Solder Process Capability	Not applicable for solder process capability

Product Compliance Disclaimer

This information is provided based on reasonable inquiry of our suppliers and represents our current actual knowledge based on the information they provided. This information is subject to change. The part numbers that TE has identified as EU RoHS compliant have a maximum concentration of 0.1% by weight in homogenous materials for lead, hexavalent chromium, mercury, PBB, PBDE, DBP, BBP, DEHP, DIBP, and 0.01% for cadmium, or qualify for an exemption to these limits as defined in the Annexes of Directive 2011/65/EU (RoHS2). Finished electrical and electronic equipment products will be CE marked as required by Directive 2011/65/EU. Components may not be CE marked. Additionally, the part numbers that TE has identified as EU ELV compliant have a maximum concentration of 0.1% by weight in homogenous materials for lead, hexavalent chromium, and mercury, and 0.01% for cadmium, or qualify for an exemption to these limits as defined in the Annexes of Directive 2000/53/EC (ELV). Regarding the REACH Regulation, the information TE provides on SVHC in articles for this part number is based on the latest European Chemicals Agency (ECHA) 'Guidance on requirements for substances in articles' posted at this URL: <https://echa.europa.eu/guidance-documents/guidance-on-reach>

Compatible Parts



TE Part # 4150147-2
OCEAN-2.0-APPLICATOR-E-210F280F-REA



TE Part # 7-4150147-7
OCEAN_2.0_SPARE_PART_KIT-210F280F



TE Part # 62691-2
RING 12-10 AWG TPBR



TE Part # 42722-1
RING TONGUE 12-10 AWG BR



TE Part # 61424-1
RING 12-10 AWG TPBR



TE Part # 60485-1
RING TERMINAL 14-12 AWG TPBR



TE Part # 41125
RING 12-10 AWG TPBR



TE Part # 41124
RING .190 (4.82 MM) 12-10 AWG TPBR



TE Part # 42863-2
RING CRIMP 12-10 AWG TPBR



TE Part # 42864-2
RING CRIMP 12-10 AWG TPBR

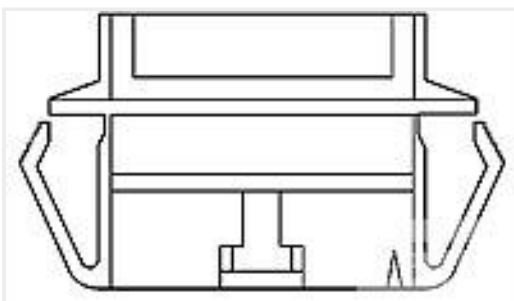


TE Part # 60399-1
RING TERMINAL 12-10 AWG TPCU



TE Part # 41126
RING 12-10 AWG TPBR

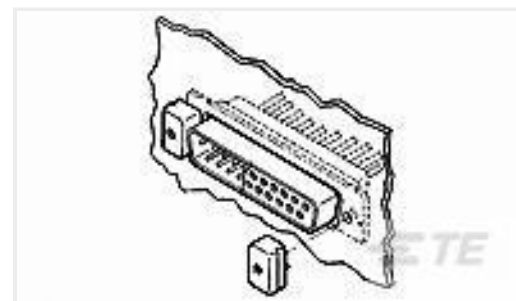
Customers Also Bought



TE Part #103682-1
02 MTE PANEL MOUNT SR



TE Part #41126
RING 12-10 AWG TPBR



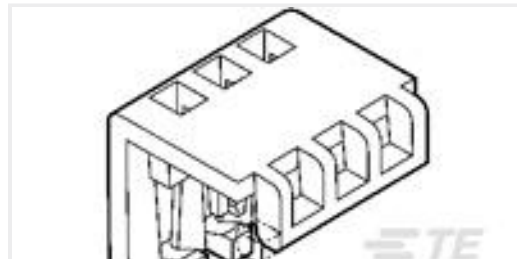
TE Part #747717-2
LATCHING BLOCK KIT



TE Part #42899-2
RING TONGUE 10-6 AWG TPBR



TE Part #4-643813-3
13P MTA100 CONN ASSY POL RIB



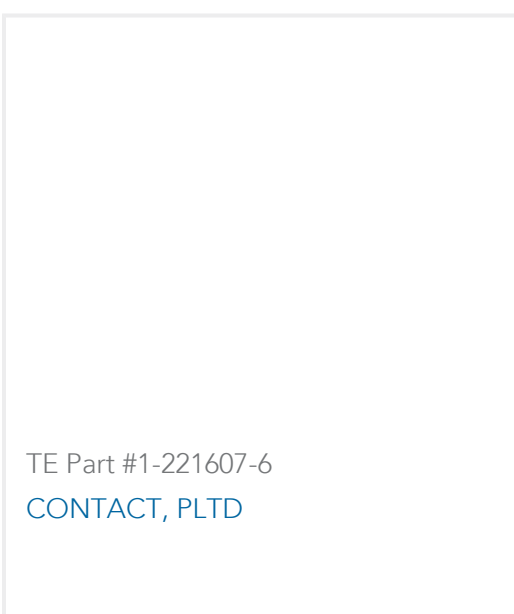
TE Part #1-643075-3
13P MTA100 MOLDED COVER



TE Part #CAT-C73765-M1C
M8 Panel Mount PCB



TE Part #5750913-5
50 50SR CABLE CONN KIT



TE Part #1-221607-6
CONTACT, PLTD

Documents

Product Drawings

[RING TERMINAL 12-10 AWG .0395X.650 TPCU](#)

English

CAD Files

Customer View Model

[ENG_CVM_CVM_61844-1_F.2d_dxf.zip](#)

English

3D PDF

3D

Customer View Model

[ENG_CVM_CVM_61844-1_F.3d_igs.zip](#)

English

Customer View Model

[ENG_CVM_CVM_61844-1_F.3d_stp.zip](#)

English

By downloading the CAD file I accept and agree to the [Terms and Conditions](#) of use.

Product Specifications



Engineering Report

English

Agency Approvals

UL Report

English

Looking for pricing, stock, or lifecycle information?

Click below to explore more details on WIN SOURCE:

[View 61844-1 on WIN SOURCE](#)

[TE Connectivity Information](#)

Optimize Your Supply Chain with WIN SOURCE Solutions

- ✓ Global Sourcing Solution
- ✓ Obsolete Management
- ✓ Cost Control Management
- ✓ Shortage Management
- ✓ Alternative Solution
- ✓ Excess Inventory Management