

TECHNICAL CHARACTERISTICS

MATERIAL
 INSULATOR: NYLON 9T
 FLAMMABILITY RATING: UL94-V0
 COLOR: BEIGE
 CONTACT MATERIAL: COPPER ALLOY
 CONTACT TYPE: STAMPED
 CONTACT PLATING: TIN
 QUALITY CLASS: 25 MATING CYCLES
 PITCH: 2.00 MM

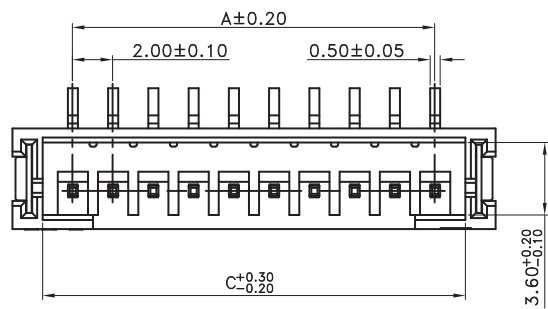
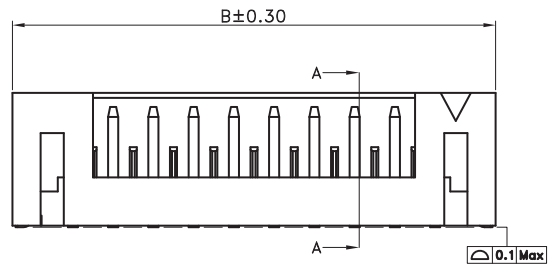
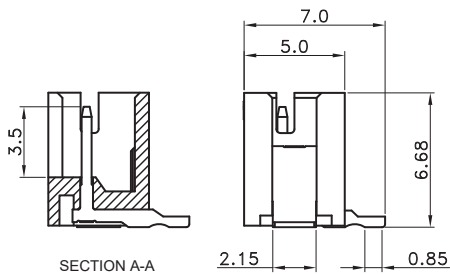
ENVIRONMENTAL
 OPERATING TEMPERATURE: -25 UP TO 85°C
 COMPLIANCE: LEAD FREE AND ROHS

ELECTRICAL
 CURRENT RATING: 2 A
 WORKING VOLTAGE: 100 VAC
 INSULATOR RESISTANCE: >1000 MOHM
 DIELECTRIC WITHSTANDING VOLTAGE: 800 VAC/MN
 CONTACT RESISTANCE: 20 mOHM MAX

STANDARD
 IEC 60321-21-3 CERTIFIED: E323964

SOLDERING
 JEDEC LEAD FREE REFLOW SOLDERING PROCESS

PACKAGING
 TAPE AND REEL WITH CAP



Poles	Dimensions(mm)		
	A	B	C
2	2.00	8.00	5.00
3	4.00	10.00	7.00
4	6.00	12.00	9.00
5	8.00	14.00	11.00
6	10.00	16.00	13.00
7	12.00	18.00	15.00
8	14.00	20.00	17.00
9	16.00	22.00	19.00
10	18.00	24.00	21.00
11	20.00	26.00	23.00
12	22.00	28.00	25.00
13	24.00	30.00	27.00
14	26.00	32.00	29.00
15	28.00	34.00	31.00
16	30.00	36.00	33.00

REV	DATE	FILE	BY
J	01-FEV-18	CORRECTION PCN	AK
I	22-DEC-17	PCN	AK
H	30-AUG-16	TPK	AK

PROJECTION:

 APPROVAL: BBU

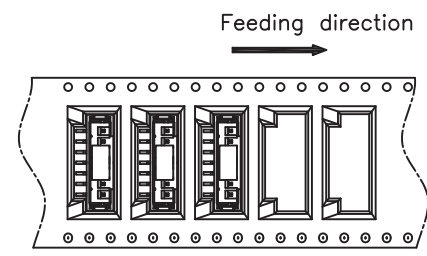
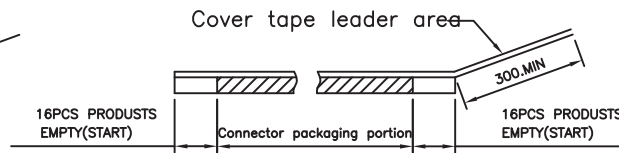
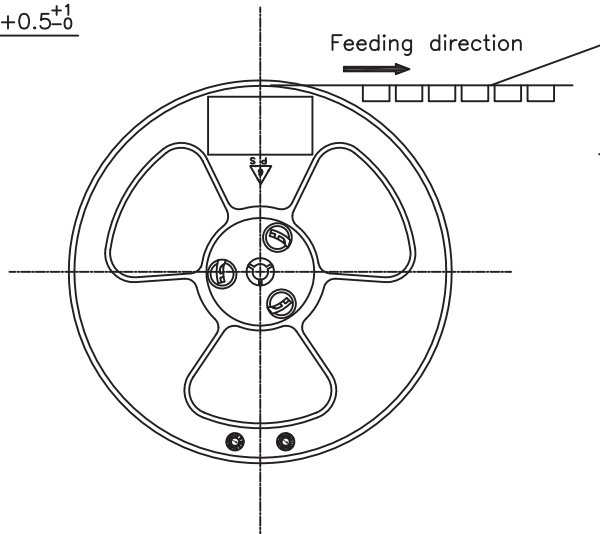
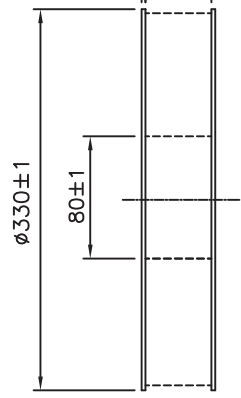
GENERAL TOLERANCE
 .X = +/- 0.2
 .XX = +/- 0.15
 UNIT: MM
 SCALE:
 SHEET: 1/4
 DRAW:

DESCRIPTION: 2.00 MM SMT MALE VERTICAL SHROUDED HEADER
 WERI PART NO: 620 3xx 124 022

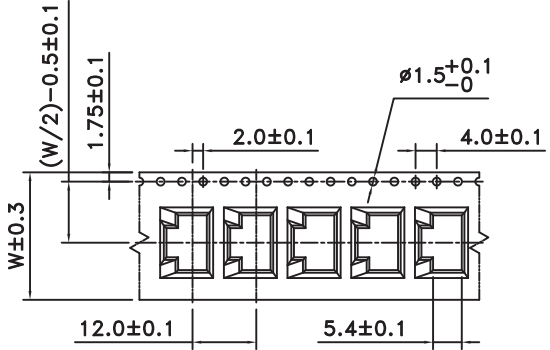
SIZE
A4

A
 B
 C
 D

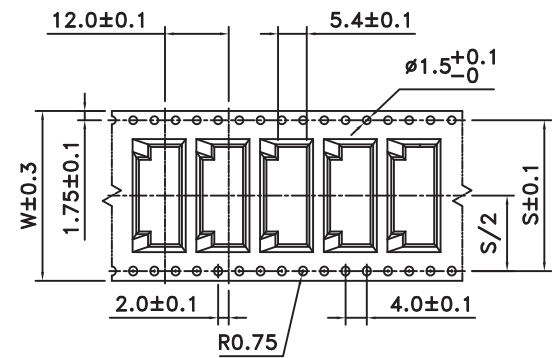
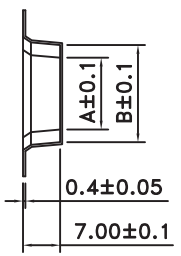
2.0±0.2 W+0.5⁺¹₋₀



- Note:
 • Q' ty : 750 Pcs / Reel
 • Length: ≥10.3m/Reel



Poles at 2~6



Poles at 7~16

Poles	Dimensions(mm)			
	S	W	A	B
2			3.55	8.4
3			5.55	10.4
4		24.0	7.55	12.4
5			9.55	14.4
6			11.5	16.4
7	28.4	32.0	13.5	18.4
8			15.5	20.4
9			17.5	22.4
10			19.5	24.4
11	40.4	44.0	21.5	26.4
12			23.5	28.4
13			25.5	30.4
14			27.5	32.4
15	52.4	56.0	29.5	34.4
16			31.5	36.4

G			
F			
E			
D			
C			
B			
A			
REV	DATE	FILE	BY

PROJECTION:

GENERAL TOLERANCE
 .X = +/_ 0.2
 .XX = +/_ 0.15

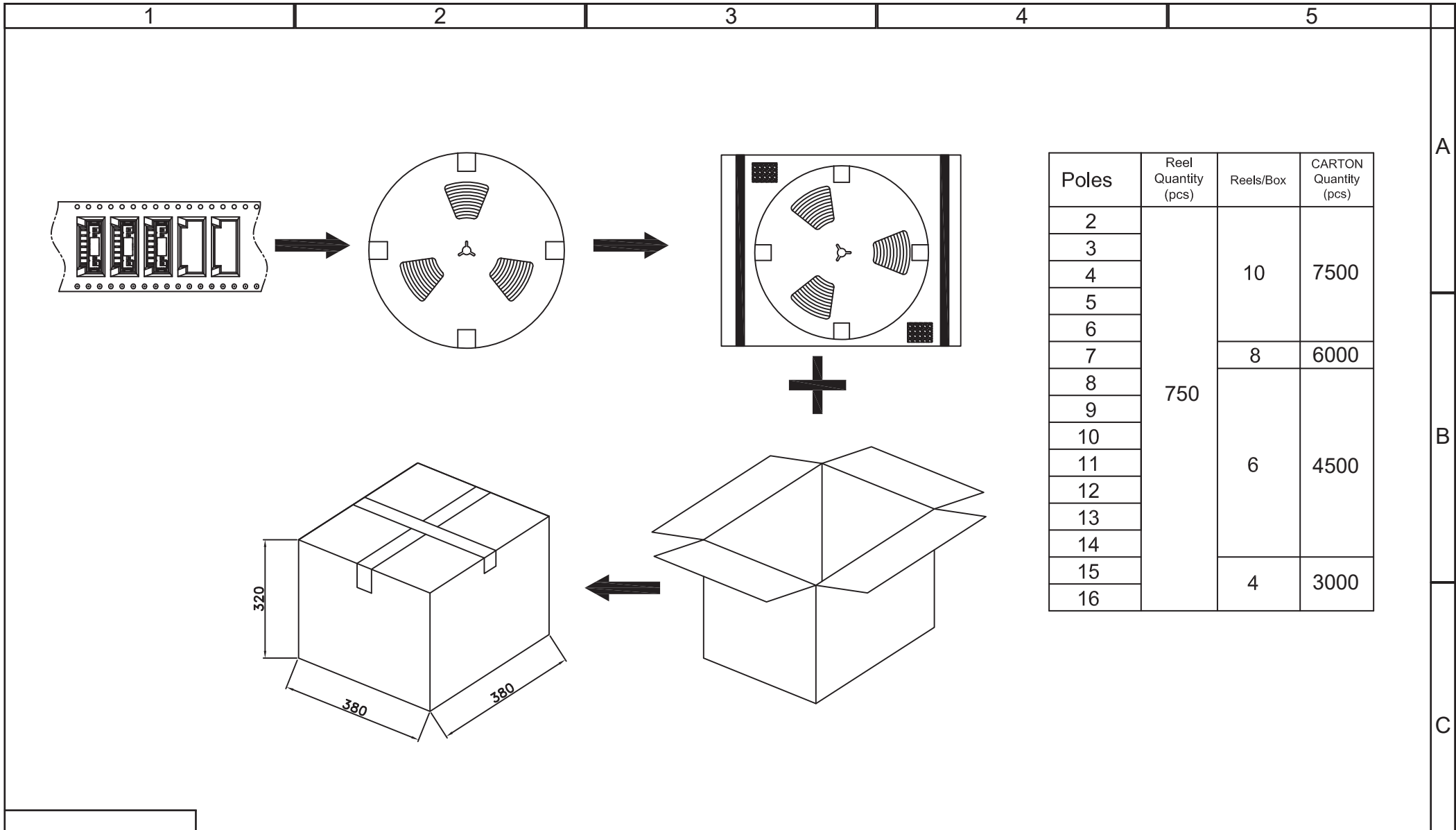
APPROVAL: BBU

UNIT: MM
 SCALE:
 SHEET: 2/4
 DRAW : AK

DESCRIPTION: 2.00 MM SMT MALE VERTICAL SHROUDED HEADER

WERI PART NO: 620 3xx 124 022

SIZE
A4



Poles	Reel Quantity (pcs)	Reels/Box	CARTON Quantity (pcs)
2	750	10	7500
3			
4			
5			
6		8	6000
7			
8		6	4500
9			
10			
11			
12			
13			
14			
15			
16			

G				PROJECTION: 	GENERAL TOLERANCE .X = +/- 0.2 .XX = +/- 0.15		
F							
E							
D							
C				APPROVAL: BBu	UNIT: MM	DESCRIPTION: 2.00 MM SMT MALE VERTICAL SHROUDED HEADER	SIZE A4
B					SCALE:		
A					SHEET: 3/4	WERI PART NO: 620 3xx 124 022	
REV	DATE	FILE	BY		DRAW : AK		

1

2

3

4

5

Cautions and Warnings:

This electronic component is designed and developed with the intention for use in general electronics equipments.

Before incorporating the components into any equipments in the field such as aerospace, aviation, nuclear control, submarine, transportation, (automotive control, train control, ship control), transportation signal, disaster prevention, medical, public information network etc. where higher safety and reliability are especially required or if there is possibility of direct damage or injury to human body, Würth Elektronik must be asked for a written approval.

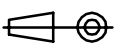

In addition, even electronic component in general electronic equipments, when used in electrical circuits that require high safety, reliability functions or performance, the sufficient reliability evaluation-check for the safety must be performed before by the user before usage.

A

B

C

RoHS Compliant

G				PROJECTION: 	GENERAL TOLERANCE .X = +/- 0.2 .XX = +/- 0.15		
F							
E							
D							
C				APPROVAL: JC	UNIT: MM	DESCRIPTION: DISCLAIMER	SIZE A4
B					SCALE:		
A	10-SEP-14	PDF	QL		SHEET: 4/4	WERI PART NO: DISCLAIMER	
REV	DATE	FILE	BY		DRAW: QL		

D

Looking for pricing, stock, or lifecycle information?

Click below to explore more details on WIN SOURCE:

 [View 620303124022 on WIN SOURCE](#)

 [Wurth Electronics Inc](#) Information

Optimize Your Supply Chain with WIN SOURCE Solutions

-  Global Sourcing Solution
-  Obsolete Management
-  Cost Control Management
-  Shortage Management
-  Alternative Solution
-  Excess Inventory Management