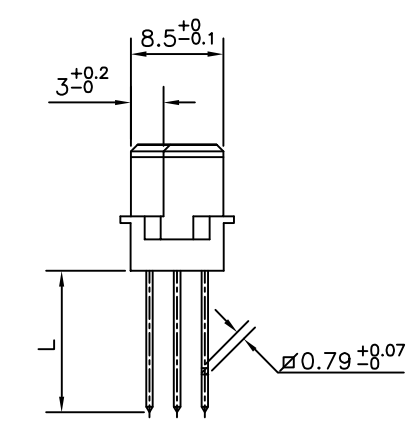
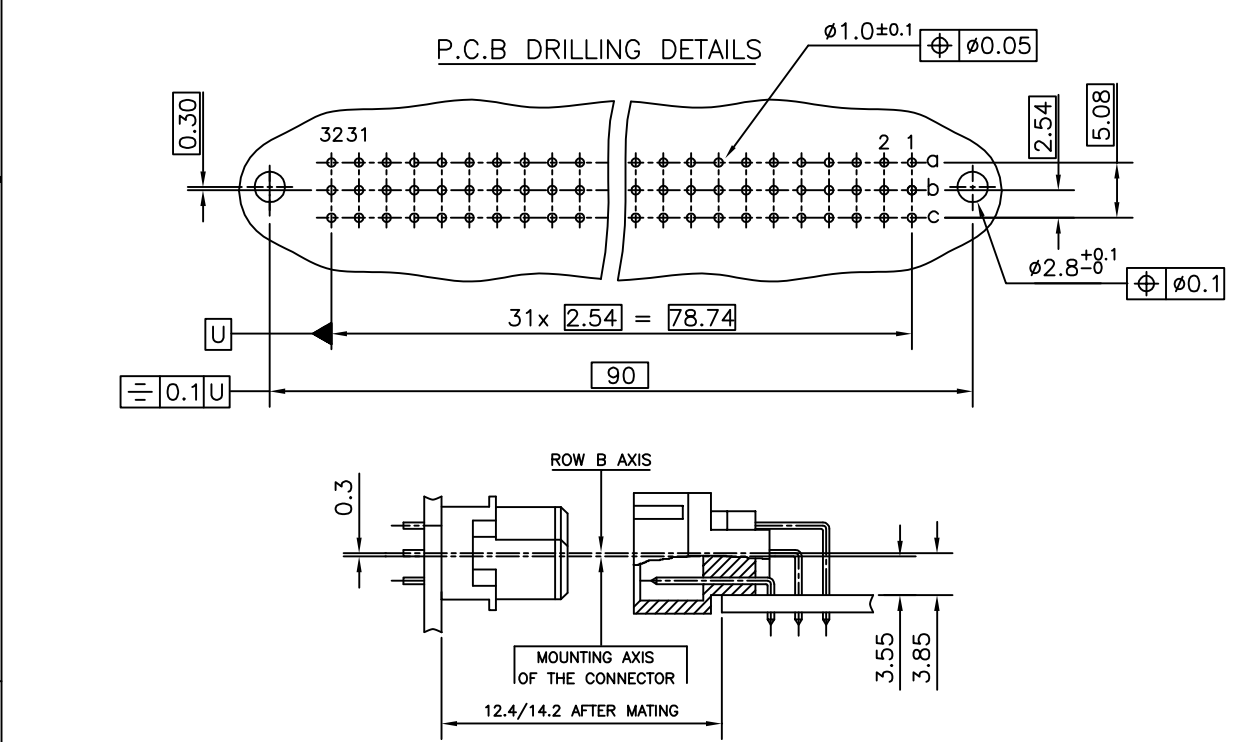
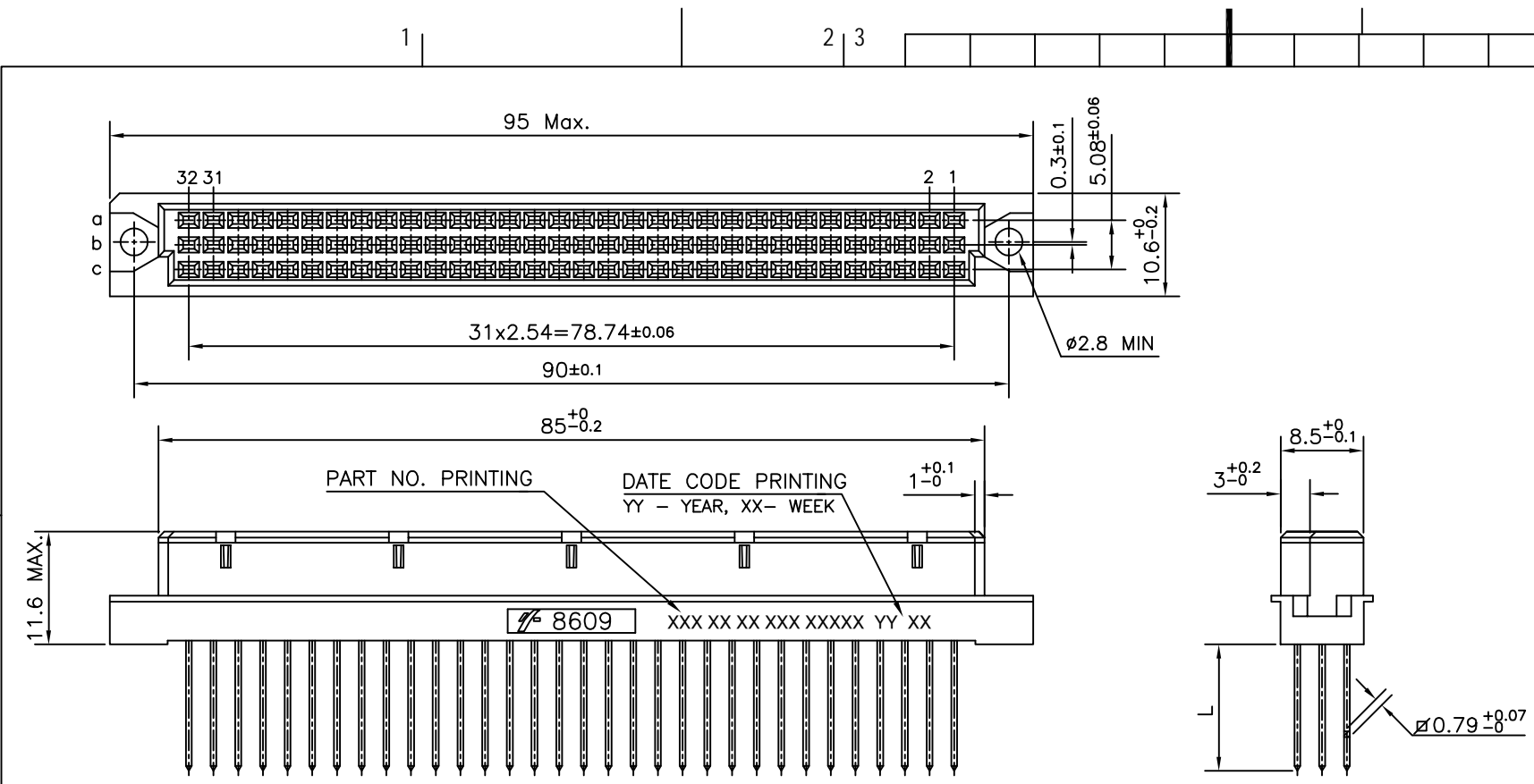




**THE DATASHEET OF  
86093968115755E1LF**





45	9.75 <sup>+0.5</sup> <sub>-0</sub>
35	7.06 <sup>+0.7</sup> <sub>-0</sub>
15	13.1 <sup>+0.5</sup> <sub>-0.2</sub>
TERM. STYLE	L

**TECHNICAL SPECIFICATION**

HOUSING MATERIAL : THERMOPLASTIC POLYESTER UL 94 V-0, GREY  
 HOUSING CAN WITHSTAND EXPOSURE TO LEAD FREE WAVE SOLDERING TEMPERATURE OF 260-265°C FOR STRAIGHT CONNECTORS AS IT IS IN CLASSICAL LEAD WAVE SOLDERING AT 235-250°C

CONTACT MATERIAL : COPPER ALLOY

CONTACT PLATING : GOLD OVER NICKEL

ACTIVE ZONE : GOLD OVER NICKEL

TERMINATION ZONE : TIN LEAD OVER NICKEL

TIN LEAD VERSION : TIN LEAD OVER NICKEL

LEAD FREE VERSION : TIN (PURE MATTE) OVER Ni

**ELECTRICAL DATA**

CURRENT RATING AT 20°C : 1,5 A

CURRENT (I MAX) : 2A

TEMPERATURE RANGE : -55°C/ +125°C

CONTACT RESISTANCE : ≤ 20mΩ

INSULATION RESISTANCE : ≥ 10<sup>6</sup> MΩ

TEST VOLTAGE (rms) : 1000V

**MECHANICAL DATA**

INSERTION FORCE PER CONTACT : ≤ 0.94N

EXTRACTION FORCE PER CONTACT : ≥ 0.15N

REFERENCE SPECIFICATIONS : DIN 41612 / IEC 603-2

SERIES	8609	3	96	8	1	15	7	5	5	000E1
ROWS FITTED WITH CONTACTS										
Rows a b c		3	96							
Rows a - c		4	64							
NUMBER OF CONTACTS										
TYPE OF INSULATOR										
3 ROW FEMALE INSULATOR				8						
METHOD OF MOUNTING										
STANDARD MOUNTING - STYLE C									1	
TERMINATION										
WIRE WRAP (L = SEE TABLE)										45
WIRE WRAP (L = SEE TABLE)										35
WIRE WRAP (L = SEE TABLE)										15
OPTIONS										
NO OPTION										7
PERFORMANCE CLASS										
DIN 41612 CLASS 3										4
DIN 41612 CLASS 2										5
DIN 41612 CLASS 1										6
AS PER MIL C 55302/ JSS 50808										8
PITCH PER ROW										
2.54										5
000E1										TIN LEAD VERSION
E1LF										LEAD FREE VERSION

**NOTES:-**

- THE "LF" PRODUCTS MEET EUROPEAN UNION DIRECTIVES AND OTHER COUNTRY REGULATIONS AS DESCRIBED IN GS-22-008
- THE HOUSING WILL WITHSTAND EXPOSURE TO 260°C PEAK TEMPERATURE FOR 3.5 SECONDS IN A WAVE SOLDER APPLICATION WITH A 1.6 MM MINIMUM THICK CIRCUIT BOARD
- LEAD FREE OR RoHS DIRECTIVE LABELING TO BE PROVIDED AS PER GS-14-920 FOR LEAD FREE VERSION.

mat'l. code		surface		tolerance		projection		product family	
-		ISO 1302		ISO 406 ISO 1101				8609	
ltr		ecn no		dr		date		title	
A		I04-0100		MINI		09/11/2004		DIN STANDARD RECEPTACLE	
B		I05-0042		MINI		19/05/2005		WIRE WRAP DIN 41612 STYLE-C	
C		I05-0086		MINI		02/06/2005		scale -	
D		I06-0062		MINI		01/06/2006		dwg no	
				engr		MINI K VANDANATH 21/09/2004		sheet 1 of 1	
				chr		RAKHEE GEORGE 21/09/2004		size	
				appd		RAKHEE GEORGE 01/06/2006		A3	
						01/06/2006		type	
								Product Customer Drawing	
sheet index		revision		D					
		sheet		1					

## Looking for pricing, stock, or lifecycle information?

Click below to explore more details on WIN SOURCE:

 [View 86093968115755E1LF on WIN SOURCE](#)

 [Amphenol FCI Information](#)

## Optimize Your Supply Chain with WIN SOURCE Solutions

-  Global Sourcing Solution
-  Obsolete Management
-  Cost Control Management
-  Shortage Management
-  Alternative Solution
-  Excess Inventory Management