

**WIN****SOURCE**  
**ELECTRONICS**

**THE DATASHEET OF**  
**212618-1**





Connectors > Contacts > Connector Contacts



Contact Type: **Pin**

Contact Mating Area Plating Material: **Gold (Au)**

Wire Contact Termination Area Plating Material: **Gold**

Contact Retention Within Housing: **With**

Contact Retention Type Within Housing: **Snap-In**

## Features

### Product Type Features

Sealable	No
----------	----

### Contact Features

Contact Underplating Material	Nickel
Contact Orientation	Straight
Mating Pin Diameter	1.57 mm[.062 in]
Contact Underplating Material Thickness	1.27 µm[50 µin]
Contact Mating Area Plating Material Thickness	.76 µm[30 µin]
Wire Contact Termination Area Plating Material Finish	Bright
Wire Contact Termination Area Plating Thickness	.76 µm[30 µin]
Contact Mating Area Plating Material Finish	Bright
Contact Type	Pin
Contact Mating Area Plating Material	Gold (Au)
Wire Contact Termination Area Plating Material	Gold
Contact Retention Within Housing	With



Contact Size	Size 16
Contact Base Material	Brass
Contact Current Rating (Max)	13 A

### Termination Features

Termination Method to Wire & Cable	Crimp
Product Terminates To	Wire & Cable

### Mechanical Attachment

Wire Insulation Support	Without
Contact Retention Type Within Housing	Snap-In

### Dimensions

Wire Size	2 – 2.15 mm <sup>2</sup>
-----------	--------------------------

### Usage Conditions

Operating Temperature Range	-55 – 105 °C[-67 – 221 °F]
-----------------------------	----------------------------

### Operation/Application

Circuit Application	Power
---------------------	-------

### Packaging Features

Packaging Quantity	1000
Packaging Method	Bag

## Product Compliance

[For compliance documentation, visit the product page on TE.com>](#)

EU RoHS Directive 2011/65/EU	Compliant with Exemptions
EU ELV Directive 2000/53/EC	Compliant with Exemptions
China RoHS 2 Directive MIIT Order No 32, 2016	Restricted Materials Above Threshold
EU REACH Regulation (EC) No. 1907/2006	Current ECHA Candidate List: JAN 2025 (247) Candidate List Declared Against: JUNE 2024 (241) SVHC > Threshold: Pb (3.7% in Component Part) <b>Article Safe Usage Statements:</b> Do not eat, drink or smoke when using this product. Wash thoroughly after handling. Recycle if possible and dispose of the article by following all applicable governmental regulations relevant to your geographic location.
Halogen Content	Low Halogen - Br, Cl, F, I < 900 ppm per homogenous material. Also BFR/CFR/PVC Free

Solder Process Capability

Not applicable for solder process capability

Product Compliance Disclaimer

This information is provided based on reasonable inquiry of our suppliers and represents our current actual knowledge based on the information they provided. This information is subject to change. The part numbers that TE has identified as EU RoHS compliant have a maximum concentration of 0.1% by weight in homogenous materials for lead, hexavalent chromium, mercury, PBB, PBDE, DBP, BBP, DEHP, DIBP, and 0.01% for cadmium, or qualify for an exemption to these limits as defined in the Annexes of Directive 2011/65/EU (RoHS2). Finished electrical and electronic equipment products will be CE marked as required by Directive 2011/65/EU. Components may not be CE marked. Additionally, the part numbers that TE has identified as EU ELV compliant have a maximum concentration of 0.1% by weight in homogenous materials for lead, hexavalent chromium, and mercury, and 0.01% for cadmium, or qualify for an exemption to these limits as defined in the Annexes of Directive 2000/53/EC (ELV). Regarding the REACH Regulation, the information TE provides on SVHC in articles for this part number is based on the latest European Chemicals Agency (ECHA) 'Guidance on requirements for substances in articles' posted at this URL: <https://echa.europa.eu/guidance-documents/guidance-on-reach>

### Compatible Parts



TE Part # 208488-3  
CMC PLUG ASSEMBLY, SZ 22



TE Part # 206060-1  
CPC PLUG ASSEMBLY SIZE 11-4



TE Part # 208470-3  
CMC PLUG ASSEMBLY, SZ 28




TE Part # 208720-1  
PLUG ASSY, SZ 14, CMC



TE Part # 213852-1  
CPC PLUG ASSEMBLY SIZE 23-19



TE Part # 211766-1  
CPC PLUG ASSEMBLY SIZE 17-9



TE Part # 206554-1  
CPC PLUG ASSEMBLY SIZE 17-16



TE Part # 1977887-1  
PLUG ASSY, 23-37 STD SEX THRD AD, UV RESIS



TE Part # 211772-1  
CPC PLUG ASSEMBLY SIZE 23-19



TE Part # 305183  
EXTRACT TOOL TYPE 2 20-16



TE Part # 788153-2  
SLD CPC PLUG ASSY, 11-4, REV SEX



TE Part # 206305-1  
CPC PLUG ASSEMBLY SIZE 23-37



TE Part # 208714-2  
CMC PLUG ASSEMBLY, SZ 14-7



TE Part # 91539-1  
CCII TYPE II SKT 22-14 2x18 ASSY



TE Part # 206708-1  
CPC PLUG ASSEMBLY SIZE 13-9



TE Part # 208470-1  
CMC PLUG ASSEMBLY, SZ 28



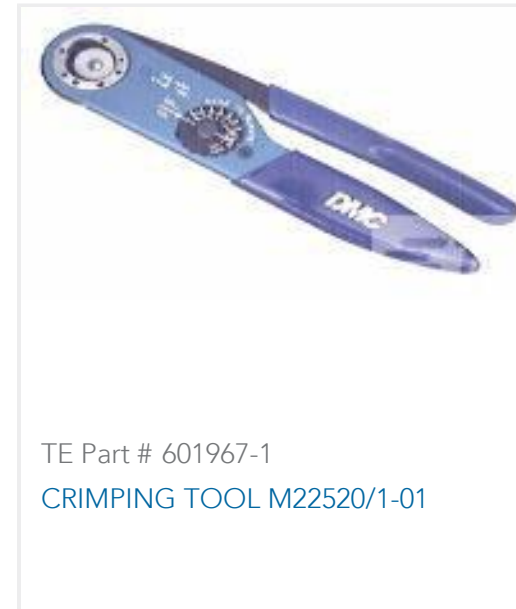
TE Part # 211768-1  
CPC PLUG ASSEMBLY SIZE 17-9



TE Part # 208718-1  
CMC PLUG ASSEMBLY, SZ 14-5

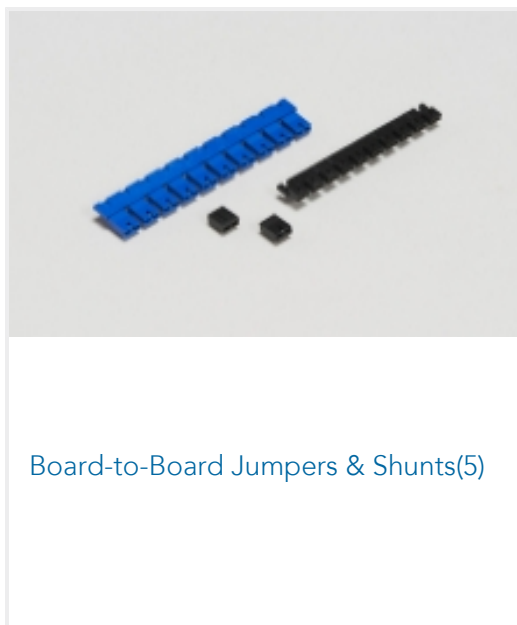


TE Part # 206150-1  
CPC PLUG ASSEMBLY SIZE 23-37

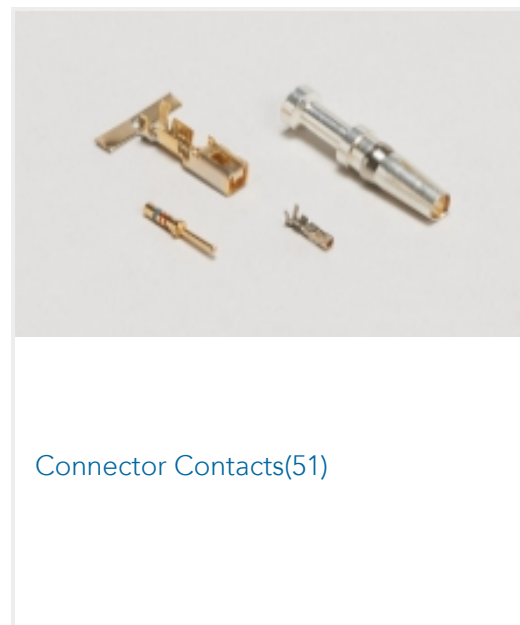


TE Part # 601967-1  
CRIMPING TOOL M22520/1-01

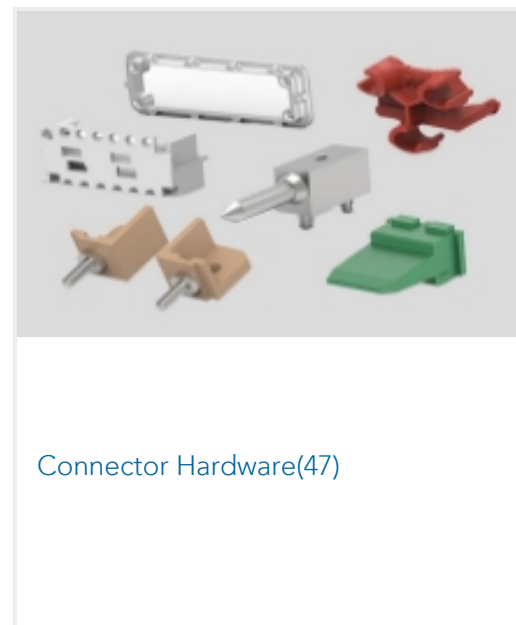
Also in the Series | AMP M Series



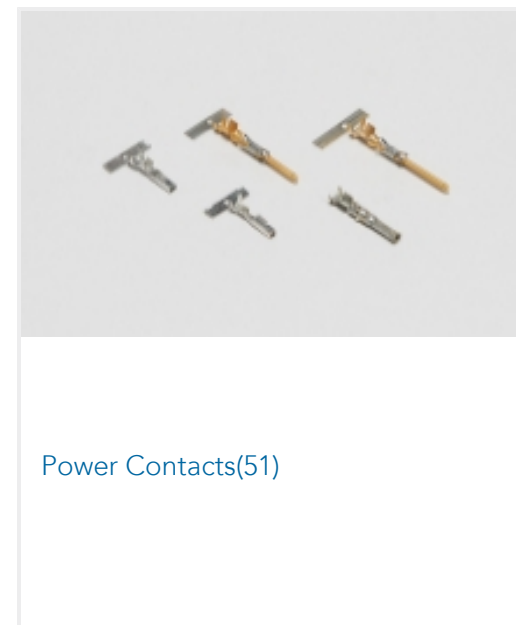
Board-to-Board Jumpers & Shunts(5)



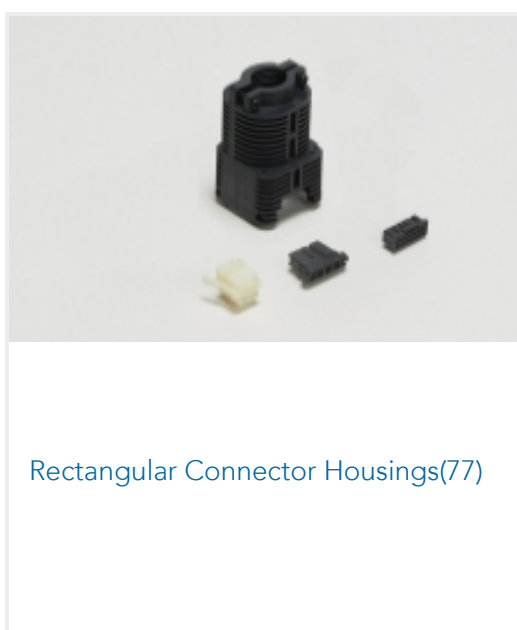
Connector Contacts(51)



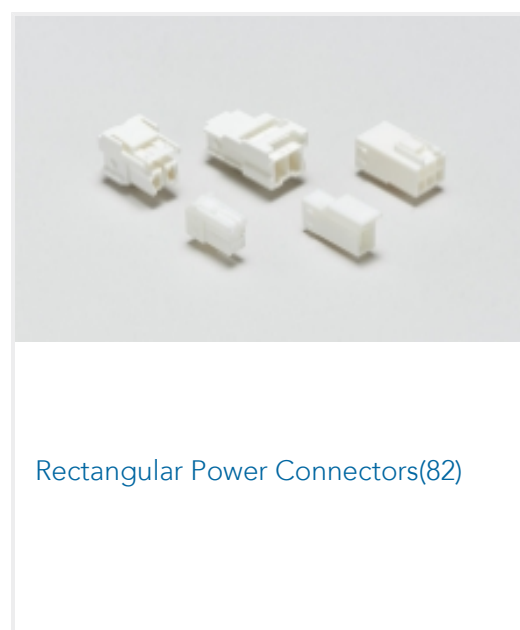
Connector Hardware(47)



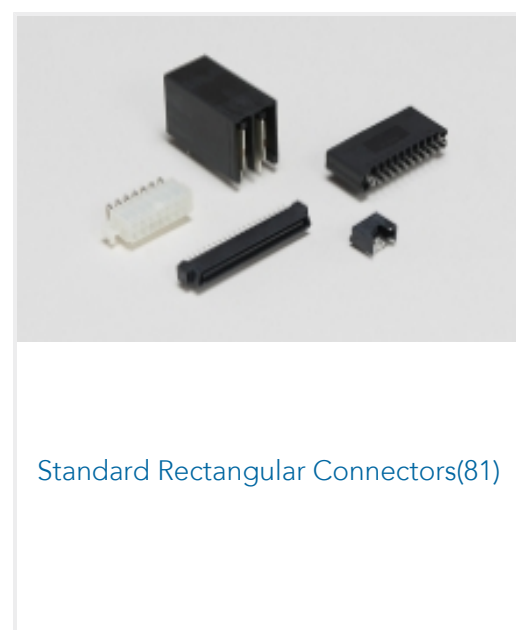
Power Contacts(51)



Rectangular Connector Housings(77)



Rectangular Power Connectors(82)



Standard Rectangular Connectors(81)

Customers Also Bought



TE Part #1703129-1  
8POS MT - EDGE HOUSING



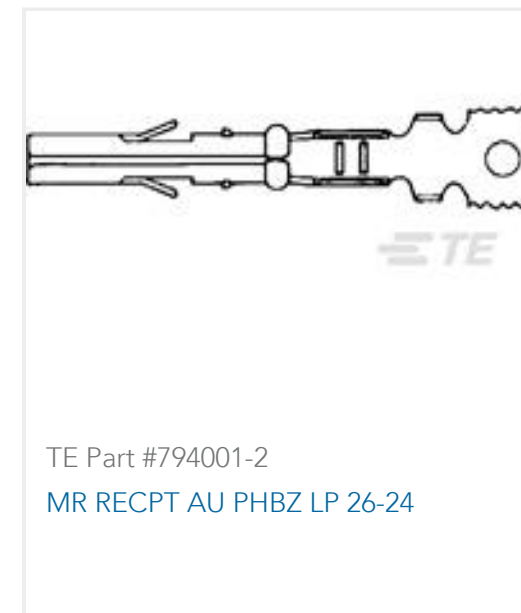
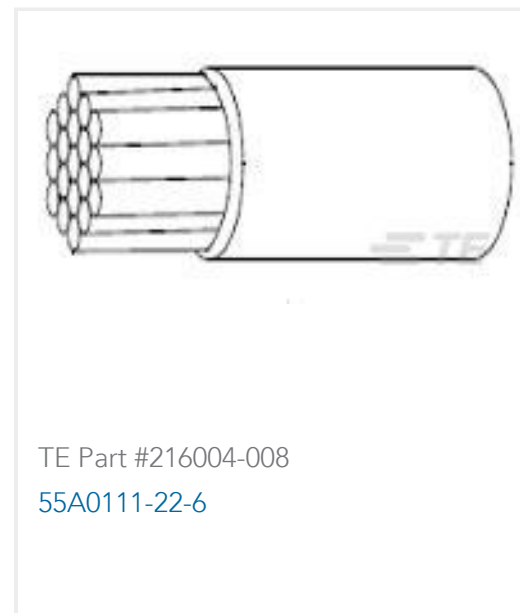
TE Part #104483-9  
14 SHORT PT RCPT HSG DR .100CL



TE Part #164161-4  
M-SRS.PIN BODY 3+



TE Part #212609-1  
RECEPT HSG,4 POSN,METRIMATE



## Documents

### Product Drawings

#### CONTACT PIN ASSY.

English

### CAD Files

#### 3D PDF

3D

#### Customer View Model

[ENG\\_CVM\\_CVM\\_212618-1\\_E.2d\\_dxf.zip](#)

English

#### Customer View Model

[ENG\\_CVM\\_CVM\\_212618-1\\_E.3d\\_igs.zip](#)

English

#### Customer View Model

[ENG\\_CVM\\_CVM\\_212618-1\\_E.3d\\_stp.zip](#)

English

#### Customer View Model

[ENG\\_CVM\\_212618-1\\_D.3d\\_igs.zip](#)

English

#### Customer View Model

[ENG\\_CVM\\_212618-1\\_D.3d\\_stp.zip](#)

English

#### Customer View Model

[ENG\\_CVM\\_212618-1\\_D.2d\\_dxf.zip](#)

English

#### 3D PDF

English



By downloading the CAD file I accept and agree to the [Terms and Conditions](#) of use.

### Datasheets & Catalog Pages

#### AMP Circular Connectors for Commercial Signal & Power Applications

English

#### Signal Contacts

English

#### M\_SERIES\_PIN\_AND\_SOCKET\_CONNECTORS

English

### Product Specifications

#### Application Specification

Japanese

#### Application Specification

English

Looking for pricing, stock, or lifecycle information?

Click below to explore more details on WIN SOURCE:

[View 212618-1 on WIN SOURCE](#)

[TE Connectivity Information](#)

### Optimize Your Supply Chain with WIN SOURCE Solutions

- ✓ Global Sourcing Solution
- ✓ Obsolete Management
- ✓ Cost Control Management
- ✓ Shortage Management
- ✓ Alternative Solution
- ✓ Excess Inventory Management