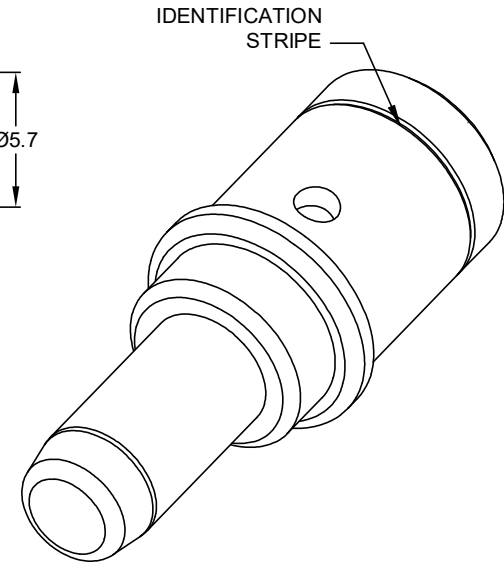
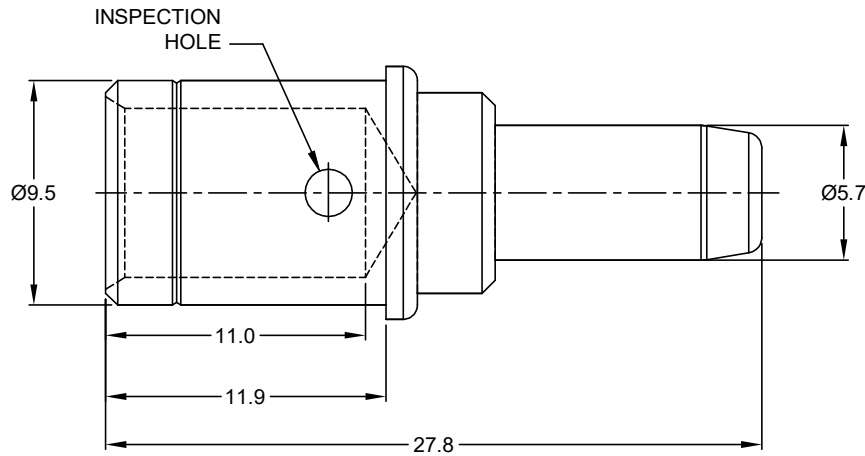
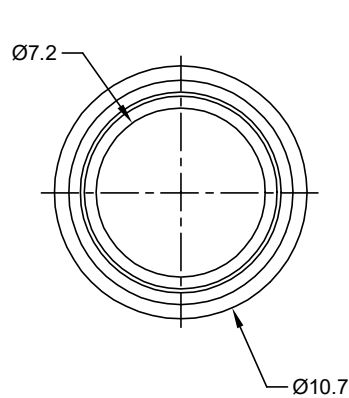




THE DATASHEET OF
AT60-203-04141-4



REVISIONS					
REV	ECO	DESCRIPTION	DATE	BY	APPR
A1	-	RELEASE DRAWING	11/OCT/19	PETER	TOMMY
A2	-	ADD CRIMP TOOL	22/MAR/21	MILO	TOMMY



PLATING	PART NUMBER	REFERENCE
NICKEL	AT60-203-04141-4	5960-203-04141
GOLD	AT60-203-0431-4	5960-203-0431

NOTES: UNLESS OTHERWISE SPECIFIED

- MATERIAL: COPPER ALLOY; NICKEL PLATED
- CONTACT SIZE: 4
- SPECIFICATIONS:
 - CURRENT RATING: 100 AMP
 - CONTACT MILLIVOLT DROP: 60 MILLIVOLT DROP @ 100 AMP TEST CURRENT.
 - ROHS COMPLIANT
- RECOMMENDED WIRE RANGE: 4 AWG(21-25mm²) .
- AVAILABLE PNEUMATIC CRIMP TOOL:WA23
- ALL DIMENSIONS ARE FOR REFERENCE USE ONLY

SEE TABLE					
PART NUMBER		DESCRIPTION		ITEM	
QUANTITY	MATERIALS LIST				
UNLESS OTHERWISE SPECIFIED		SIGNATURES		DATE	
1) All dimensions are in metric(mm).		DRAWN:	MILO.DONG	22/MAR/21	
2) Tolerances are as follows:		CHECKED:	ORION.LI	23/MAR/21	
1 PL DEC ±0.30		ENGINEER:			
2 PL DEC ±0.15		APPROVAL:	TOMMY.XIE	24/MAR/21	
3 PL DEC ±0.08		CUSTOMER:			
3) Note reference =		THIS DRAWING IS SUPPLIED FOR INFORMATION ONLY. DESIGN FEATURES, SPECIFICATIONS AND PERFORMANCE DATA SHOWN HEREON ARE THE PROPERTY OF THE AMPHENOL CORPORATION. NO RIGHTS OF REPRODUCTION ARE IMPLIED. ALL DIMENSIONS ARE SUBJECT TO NORMAL MANUFACTURING VARIATIONS.			
MATERIAL SPECIFICATIONS:		SIZE		TYPE	
PROCESS SPECIFICATIONS:		A		C-	
NEXT ASSY:		DWG NO:		REVISION	
		AT60-203-04XX-4		A2	
		SCALE: NONE		SHEET 1 OF 1	

Amphenol

Sine Systems - www.amphenol-sine.com
44724 Morley Drive
Clinton Township, MI 48036

CONTACT PIN, SIZE 4, 4 AWG

Looking for pricing, stock, or lifecycle information?

Click below to explore more details on WIN SOURCE:

 [View AT60-203-04141-4 on WIN SOURCE](#)

 [Amphenol Information](#)

Optimize Your Supply Chain with WIN SOURCE Solutions

-  Global Sourcing Solution
-  Obsolete Management
-  Cost Control Management
-  Shortage Management
-  Alternative Solution
-  Excess Inventory Management